

9kg Series 7 Heat Pump Dryer

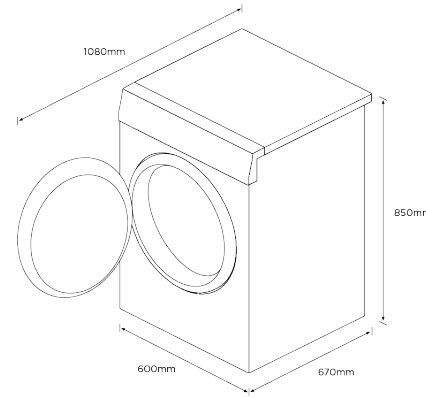


Heat Pump Dryer, 9kg

- 13 dry cycles, including Wool, Towels and Sports
- A ++ Energy Rating
- Auto-sensing detects moisture levels to prevent under or over drying

DIMENSIONS

Height	850 mm
Width	600 mm
Depth	670 mm



Refer to install guide for further specifications

FEATURES & BENEFITS

13 Fabric Care Cycles

Select the right cycle for any fabric type, from the most precious and delicate to those heavier essential items

Heat Pump Technology

Heat pump technology dries at lower temperatures for gentle fabric care and because moisture is condensed, no venting is required. This is an ideal dryer for laundries where venting is difficult as it can be placed almost anywhere in the home.

Too Precious To Tumble?

The drying rack is designed for items that can't be tumble dried. It fits easily into the dryer and delivers the perfect result for those precious delicates, shoes and toys.

Sports Cycle

The low heat Sports cycle is perfect for whatever the game throws at you, and ensures that your gear is ready for the next one.

Easy-Clean Filter

An additional easy-access and easy-clean condenser filter adds an extra level of protection for capturing lint, preventing build up on the dryer's condensing system and helping to maintain a high level of efficiency.

Designed To Match

The Heat Pump Condensing Dryer is designed to match beautifully with any Fisher & Paykel front loader washing machine, creating the perfect pair to deliver complete fabric care.

SPECIFICATIONS

Capacity

Total capacity **9 kg**

Consumption

Energy rating **5 ticks**
 Energy usage **287kWh/year**
 In-use energy carbon emissions estimate **109.1kgCO2e/year**

Dry Cycles

- Cottons
- Delicate
- Easy Iron
- Extra care
- Freshen

Heavy	•	Auto sensing	•
Mixed	•	Dryness settings	5
Number of cycles	13	Heat pump technology	•
Rack dry	•	Reverse tumbling	Semi reverse tumbling
Sheets	•	Time dry	10 mins - 150 mins
Sports	•		
Time dry	•		
Towels	•		
Wool	•		

Features

Child/Keylock	•
Clean condenser filter reminder	•
Clean door lint filter reminder	•
Damp dry signal	•
Drain Hose	included
Drum light	•
Drying rack	•
Easy access lint filter	•
Easy clean condenser filter	•
End of cycle signal	•
No external venting	•
Progress indicator	•
Removable water tank	•
SmartTouch™ control dial	•
Stainless steel drum	•
Time to go	•
Wrinkle free option	•

Product dimensions

Depth	670 mm
Height	850 mm
Width	600 mm

SKU	93290
-----	-------

The product dimensions and specifications in this page apply to the specific product and model. Under our policy of continuous improvement, these dimensions and specifications may change at any time. You should therefore check with Fisher & Paykel's Customer Care Centre to ensure this page correctly describes the model currently available. © Fisher & Paykel Appliances Ltd 2020

Other product downloads available at fisherpaykel.com

- [↓](#) Energy Label
- [↓](#) Installation Guide (English)
- [↓](#) Performance Guide (English)
- [↓](#) User Guide (English)

Where applicable:

All appliances use energy, and energy usage typically generates carbon emissions. **Fisher & Paykel Appliances' In-use Energy Carbon Emissions Estimate** indicates carbon emissions from a product's in-use energy. This is calculated either annually or per cycle, using the product's market-specific energy label energy consumption data multiplied by the carbon emissions factor for energy in your country or region.

Our In-use Energy Carbon Emissions Estimate is designed to assist customers in making informed purchasing decisions when comparing different Fisher & Paykel products. For example, a heat pump dryer typically has a lower In-use Energy Carbon Emissions Estimate than a vented dryer.



A PEACE OF MIND SALE
24 Hours 7 Days a Week Customer Support
 T +65 6741 0777 W www.fisherpaykel.com

Performance