

# Double Oven, 76cm, 17 Function, Self-cleaning

Series 9 | Contemporary

Stainless Steel

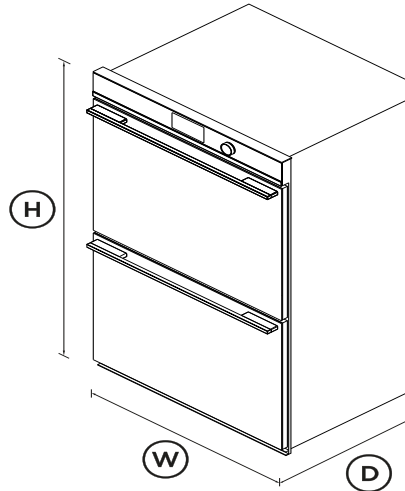


A highlight of the Fisher & Paykel collection. Ideal for entertaining, with two large ovens to cook multiple dishes at once.

- Touchscreen guided cooking capability offers helpful tips for different food types as well as full recipes
- 230L total capacity across two oven cavities, with 17 oven functions
- Pyrolytic self-cleaning function breaks down food residue for an easy clean
- Non-tip, full extension sliding shelves for safe removal of hot dishes

## DIMENSIONS

Height	1232mm
Width	760mm
Depth	608mm



## FEATURES & BENEFITS

### Cook with confidence

Using the large 5" touchscreen interface, you can cook with a favourite method, a hero ingredient, or a go-to cooking function or recipe. Your oven will guide you through the steps, or change the temperature and heat type automatically, depending on your selection.

### Generous capacity

With an incredible 115L total capacity in each oven, you can

create several perfectly cooked dishes at once using multiple shelves.

### Multi-function flexibility

Each function has been tailored, tested and perfected to ensure that no matter what you're cooking, you've got the right heat to match. Purchase our Wireless Temperature Sensor accessory and precisely monitor cooking in real time (accessory sold separately).

### Exceptional performance

AeroTech™ circulates heat evenly for a consistent temperature throughout the cavity, helping you ensure perfect results even when cooking on multiple shelves.

### Self-cleaning

Pyrolytic self-clean breaks down food residue at a very high temperature, leaving a light ash that's easily removed with a damp cloth. The enamel coated side racks don't need to be removed when using this function.

### Design freedom

Designed to fit seamlessly into your kitchen, this built-in oven features premium materials and detailing to support a cohesive, considered kitchen design.

### Safe and sound

The CoolTouch door features triple glazing and a cooling system that ensures it's safe to touch from the outside - protecting both your hands and the surrounding cabinetry.

## SPECIFICATIONS

### Accessories

Flat brushed baking tray	2
Grill rack	1 set
Pyrolytic proof shelf runners	•
Roasting dish	1
Smokeless grill tray	1

Wired temperature sensor 1

**Capacity**

Total capacity 230L

Total usable capacity (bottom) 102L

Total usable capacity (top) 102L

**Cleaning**

Acid resistant graphite enamel •

Pyrolytic proof shelf runners •

Pyrolytic self-clean •

Removable oven door •

Removable shelf runners •

**Controls**

Adjustable audio and display •

Audio feedback •

Automatic cooking/minute •

Automatic pre-set •

Celsius/Fahrenheit •

Certified Sabbath mode •

Delay start •

Electronic clock •

Electronic oven control •

Food probe •

Guided cooking by food type •

Halogen lights •

Intuitive touchscreen display •

Multi-language display UK English, US English,

True convection oven •

Turned stainless capacitive •

Wi-Fi connectivity •

**Functions**

Air fry •

Bake •

Classic bake •

Dehydrate •

Fan bake •

Fan forced •

Fan grill •

Grill •

Maxi Grill •

Number of functions 17

Pastry Bake •

Pizza bake •

Pyrolytic self-clean •

Rapid proof •

Roast •

Slow cook •

Vent bake •

Warm •

**Performance**

ActiveVent™ system •

AeroTech™ technology •

Automatic rapid pre-heat •

Temperature range 35°C - 280°C

**Power requirements**

Amperage 36 - 39A

Supply frequency 50Hz

Supply voltage 220 - 240V

**Product dimensions**

Depth 608mm

Height 1232mm

Width 760mm

**Safety**

Balanced oven door •

Control panel key lock •

CoolTouch door •

Non-tip shelves •

Safety thermostat •

**Warranty**

Parts and labour 2 years

SKU 82770

The product dimensions and specifications in this page apply to the specific product and model. Under our policy of continuous improvement, these dimensions and specifications may change at any time. You should therefore check with Fisher & Paykel's Customer Care Centre to ensure this page correctly describes the model currently available. ? Fisher & Paykel Appliances Ltd 2020

---

Other product downloads available at [fisherpaykel.com](https://fisherpaykel.com)



Service & Warranty



User Guide Oven



Installation Guide Wall Oven



Data Sheet Double Oven



Planning Guide - 76cm Built-in Ovens and Companions -  
Contemporary Stainless Steel



**A PEACE OF MIND SALE**

24 Hours 7 Days a Week Customer Support

T 0800 372 273 W [www.fisherpaykel.com](https://www.fisherpaykel.com)