

Freestanding French Door Refrigerator Freezer, 32", 17 cu ft

Series 7 | Contemporary

Stainless Steel | French hinge

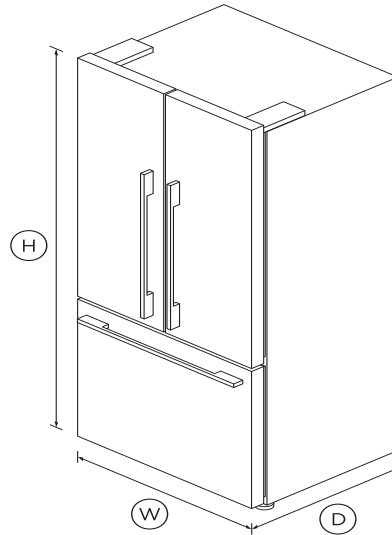


Designed for those who need plenty of flexible space for their cold and frozen food storage, with a stylish stainless steel finish.

- ActiveSmart™ helps keep food fresher for longer
- Bottom freezer drawer
- Brushed metal handles

DIMENSIONS

| | |
|--------|---------|
| Height | 67 3/4" |
| Width | 31 1/8" |
| Depth | 27 3/8" |



FEATURES & BENEFITS

ACTIVESMART™ FOODCARE

ActiveSmart™ technology understands that the refrigerator door is the most opened in the house. It constantly adjust temperature, airflow and humidity, maintaining an optimum environment and helping keep food fresher for longer.

DESIGN QUALITY

Our refrigerators are designed and built using quality materials. We use real stainless steel on our refrigerators and solid glass for shelving.

EASY CLEANING

No more permanent dirty marks with our EZKleen feature for stainless steel refrigerators. Anti-fingerprint coating means you simply wipe clean any marks. Spill-safe secure glass shelves easily capture any drips or leaks.

CLEVER ENERGY

Your refrigerator adapts to daily use by cooling and defrosting only when needed. This means your refrigerator uses the energy it needs without compromising on food care.

COMPLEMENTARY DESIGN

With their premium handle styling and stainless steel finish, our refrigerators are designed to match the rest of Fisher & Paykel's kitchen appliance family.

SPECIFICATIONS

Accessories

| | |
|---------------------------|-------|
| Contemporary round handle | 25376 |
|---------------------------|-------|

Capacity

| | |
|---------------------|-----------|
| Volume freezer | 4.8cu ft |
| Volume refrigerator | 12.1cu ft |

Consumption

| | |
|--------------|-------------|
| Energy usage | 501kWh/year |
|--------------|-------------|

Features

| | |
|--------------------------|---|
| Adjustable door shelves | 6 |
| Adjustable glass shelves | 3 |
| Covered door shelves | 2 |
| Door alarm | • |
| Fruit and vegetable bins | 2 |

| | |
|--------------------------|---|
| SmartTouch control panel | • |
| Stackable bottle holders | 4 |
| Wi-Fi connectivity | • |

The product dimensions and specifications in this page apply to the specific product and model. Under our policy of continuous improvement, these dimensions and specifications may change at any time. You should therefore check with Fisher & Paykel's Customer Care Centre to ensure this page correctly describes the model currently available. © Fisher & Paykel Appliances Ltd 2020



A PEACE OF MIND SALE

24 Hours 7 Days a Week Customer Support

T 1.888.936.7872 W www.fisherpaykel.com

Freezer Features

| | |
|--------------|---|
| Bottle chill | • |
| Fast freeze | • |
| Ice trays | 1 |

Performance

| | |
|-------------------------|---|
| ActiveSmart™ Foodcare | • |
| Adaptive defrost | • |
| Frost free freezer | • |
| Humidity control system | • |
| Sabbath mode | • |

Product dimensions

| | |
|---------------------------------|---------|
| Depth | 27 3/8" |
| Height | 67 3/4" |
| Minimum air clearance - at rear | 1 3/16" |
| Minimum air clearance - each | 1 3/16" |
| Width | 31 1/8" |

Warranty

| | |
|-------------------------------|--------------------|
| Parts and labour | 2 years |
| Sealed system parts and labor | additional 3 years |

| | |
|-----|-------|
| SKU | 26283 |
|-----|-------|