

# 17.1 cu ft Series 5 Refrigerator Freezer, Ice & Water

Width  
Depth

31 1/8 "  
27 3/8 "

Our refrigerators are designed and built using quality materials. We use real stainless steel on our refrigerators and solid glass for shelving.

Contemporary

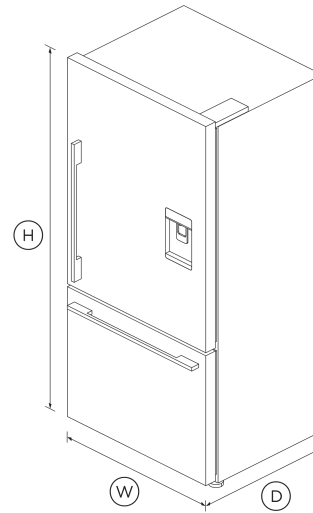


This stylish right hinge refrigerator has a large capacity and comes in timeless stainless steel.

- Bottom freezer drawer
- ActiveSmart™ helps keep food fresher for longer
- Brushed metal handles

## DIMENSIONS

Height 67 3/4 "



## FEATURES & BENEFITS

### ActiveSmart™ Foodcare

Every time you open your refrigerator, the temperature around your food changes. ActiveSmart™ foodcare adjusts airflow to create a stable temperature, helping your food stay fresher for longer.

### Easy Cleaning

No more stubborn dirty marks with our EZKleen feature for stainless steel fridges. Anti-fingerprint coating means you simply wipe clean any marks. Spill-safe secure glass shelves easily capture any drips or leaks.

### Design Quality

### WATER ON TAP

The slimline dispenser makes it easy to fill almost any sized jug or vessel with cool filtered water and doesn't take up any storage space in your refrigerator.

### Ice Maker

Fresh ice is always available for you in a dedicated freezer bin. Simply turn it off to free up freezer space or during busy times, you can boost ice production by up to 30%.

## SPECIFICATIONS

### Accessories (sold separately)

|                                       |                   |
|---------------------------------------|-------------------|
| Joiner Kit                            | 819264            |
| Surround Kit (Joined left/right pair) | Part number 24476 |
| Surround Kit (Right Hand)             | Part number 24475 |
| Water filter replacement              | 847200 - FWC3     |

### Capacity

|                      |            |
|----------------------|------------|
| Total gross capacity | 17.1 cu ft |
| Volume freezer       | 4.8 cu ft  |
| Volume refrigerator  | 12.3 cu ft |

### Connected Features

- Alerts and notifications
- Education and onboarding

- Remote operation •
- Software updates •

**Consumption**

|   |                                    |
|---|------------------------------------|
| Energy rating                           | <b>Energy Star</b>                 |
| Energy usage                            | <b>535kWh/year</b>                 |
| In-use energy carbon emissions estimate | <b>188.7kgCO<sub>2</sub>e/year</b> |

**Features**

|                            |                                |
|----------------------------|--------------------------------|
| Adjustable door shelves    | <b>14</b>                      |
| Adjustable glass shelves   | <b>4</b>                       |
| Covered door shelves       | <b>2</b>                       |
| Door alarm                 | •                              |
| Fruit and vegetable bins   | <b>2</b>                       |
| LED lighting               | •                              |
| Smart appliance            | •                              |
| SmartTouch control panel   | •                              |
| Stackable bottle holders   | <b>2</b>                       |
| Ultra slim water dispenser | •                              |
| Water Filter               | <b>Model number<br/>836848</b> |

**Freezer Features**

- Automatic ice maker •
- Bottle chill •
- Fast freeze •
- Ice bin and scoop •
- Ice Boost •
- Large plastic bins •

**Performance**

- ActiveSmart™ Foodcare •
- Adaptive defrost •
- Frost Free Freezer •
- Humidity control system •
- Sabbath mode •

**Power Requirements**

|                  |              |
|------------------|--------------|
| Rated current    | <b>10 A</b>  |
| Supply frequency | <b>60 Hz</b> |
| Supply voltage   | <b>115 V</b> |

**Product Dimensions**

|                                 |                 |
|---------------------------------|-----------------|
| Depth                           | <b>27 3/8 "</b> |
| Height                          | <b>67 3/4 "</b> |
| Minimum air clearance at rear   | <b>1 3/16 "</b> |
| Minimum air clearance each side | <b>1 3/16 "</b> |
| Width                           | <b>31 1/8 "</b> |

|     |       |
|-----|-------|
| SKU | 26298 |
|-----|-------|

The product dimensions and specifications in this page apply to the specific product and model. Under our policy of continuous improvement, these dimensions and specifications may change at any time. You should therefore check with Fisher & Paykel's Customer Care Centre to ensure this page correctly describes the model currently available. © Fisher & Paykel Appliances Ltd 2020

**Other product downloads available at fisherpaykel.com**

- [↓](#) DWG
- [↓](#) DXF
- [↓](#) Data Sheet (English)
- [↓](#) Energy Label
- [↓](#) Water Filter Replacement Instructions - Parts 847200 and 847201 (English)
- [↓](#) Installation Guide (English)
- [↓](#) Water Filter Replacement Instructions - Parts 862285 and 862288 (English)
- [↓](#) Installation Guide (English)
- [↓](#) Installation Guide (English)
- [↓](#) Water Filter Replacement Instructions - Parts 847200 and 847201 (French)
- [↓](#) Water Filter Replacement Instructions - Parts 862285 and 862288 (French)
- [↓](#) Installation Guide - Joiner Kit (Canadian French)
- [↓](#) Installation Guide (Canadian French)
- [↓](#) Right To Repair Declaration (English, Canadian French)
- [↓](#) User Guide (English)
- [↓](#) User Guide (Canadian French)

**Where applicable:**

All appliances use energy, and energy usage typically generates carbon emissions. **Fisher & Paykel Appliances' In-use Energy Carbon Emissions Estimate** indicates carbon emissions from a product's in-use energy. This is calculated either annually or per cycle, using the product's market-specific energy label energy consumption data multiplied by the carbon emissions factor for energy in your country or region.

Our In-use Energy Carbon Emissions Estimate is designed to assist customers in making informed purchasing decisions when comparing different Fisher & Paykel products. For example, a heat pump dryer typically has a lower In-use Energy Carbon Emissions Estimate than a vented dryer.



**A PEACE OF MIND SALE**

24 Hours 7 Days a Week Customer Support

T 1.888.936.7872 W [www.fisherpaykel.com](http://www.fisherpaykel.com)