

# Front Loader Washing Machine, 9kg, with Time Saver

Series 7 | Front Load

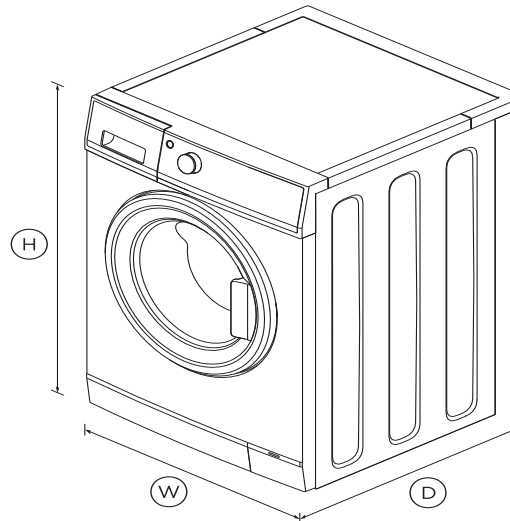


This front loader cares for all kinds of fabrics, with a cycle for everything from delicates to bulky items.

- 13 wash cycles including Sports, Wool and a 15 minute Super Quick cycle, with extra wash functions such as Time Saver and Soak
- Add a Garment function allows you to add items mid cycle
- 1400 RPM spin speed means more water is extracted from your wash resulting in a shorter dry cycle

## DIMENSIONS

Height	850mm
Width	600mm
Depth	620mm



## SPECIFICATIONS

### Accessories (sold separately)

Stacking kit	•
--------------	---

### Consumption

Energy rating	A+++
Water consumption per cycle	42L

### Features

- Add a garment (immediate)
- Anti-fungal door gasket
- Auto out of balance correction
- Child/Keylock
- Choice of cold only or hot and
- Delay start
- Door and gasket flushing
- Extra rinse option
- Flood protection
- No spin / Spin Hold
- Pre Wash
- SmartTouch™ control dial
- Soak
- Spin speeds 4
- Stainless steel drum
- Time saver function
- Timed liquid detergent
- Water temperature controls 5
- Woolmark certified
- Wrinkle Free

### Performance

Maximum spin speed	1400 rpm
Noise (spin)	69dBA
Noise (wash)	48dBA
Number of spin speeds	4
SmartDrive™ technology	•
Spin performance	B
Vortex Wash	•

**Product dimensions**

Depth	<b>620mm</b>
Height	<b>850mm</b>
Width	<b>600mm</b>

---

**Warranty**

Parts and labour	<b>5 years</b>
Parts only SmartDrive™ Motor	<b>10 years</b>

---

**Wash Cycles**

Allergy	•
Bulky	•
Cottons	•
Customise cycle	•
Delicate	•
Drum Clean	•
Everyday	•
Heavy	•
Number of wash cycles	<b>13</b>
Rinse	•
Spin	•
Sports	•
Super Quick	•
Synthetics	•

---

SKU	98137
-----	-------

---

specifications may change at any time. You should therefore check with Fisher & Paykel's Customer Care Centre to ensure this page correctly describes the model currently available. © Fisher & Paykel Appliances Ltd 2020

**A PEACE OF MIND SALE****24 Hours 7 Days a Week Customer Support****T 08000 886 605 W [www.fisherpaykel.com](http://www.fisherpaykel.com)**

The product dimensions and specifications in this page apply to the specific product and model. Under our policy of continuous improvement, these dimensions and