

# Integrated Column Freezer, 76cm, Ice

Series 11 | Integrated

Panel Ready | Left hinge

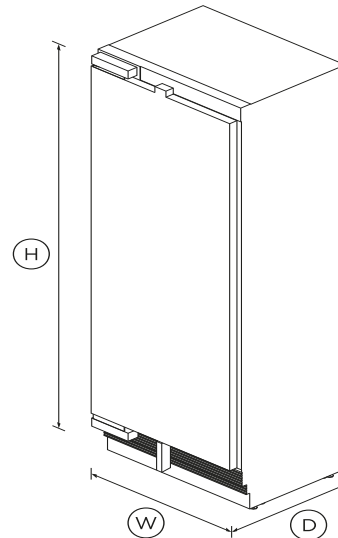


Install it separately or pair with another Column for true design freedom - this model is left hinge with stainless steel interior.

- ActiveSmart technology helps keep food fresher for longer by constantly maintaining the ideal temperature
- Variable Temperature Zone lets you change a compartment to Freeze, Soft Freeze or Deep Freeze for optimal storage
- Internal ice maker with boost for busy times
- Customise with your own kitchen cabinetry or purchase our stainless steel door panel accessory

## DIMENSIONS

Height	2134mm
Width	756mm
Depth	610mm



## FEATURES & BENEFITS

### VARIABLE TEMPERATURE ZONES

There's more than one way to freeze food, and different freezing temperatures and techniques affect food care - and your levels of convenience - in different ways. Optimal freezing is a question of what you're storing, how fresh it is, and when you plan to consume it. Change a compartment to Soft Freeze to enjoy maximum everyday convenience, or to Freeze Mode or Deep Freeze Mode to retain natural goodness for future use.

### DEEP FREEZE MODE

Deep freezing (-25°C) allows food to be stored for months or even years with temperatures that halt bacterial activity. Freezing food quickly is the key to protecting quality and retaining nutrients, so they are not lost when defrosting.

### MIX & MATCH

Integrated Column Refrigeration gives you the freedom to mix and match. Different sized Column Fridges and Freezers can be installed separately or paired. Finish them with our stainless steel door panels or customise to match your own kitchen cabinetry.

### CLEVER ENERGY

Our ActiveSmart Foodcare Refrigerator Freezers adapt to daily use by cooling and defrosting only when needed. This means your refrigerator uses the energy it needs without compromising on food care.

### APPEALING ILLUMINATION

Bright LEDs light up each ceiling, shelves, bins and trays in both refrigerator and freezer, making it easy to find your food and creating a welcoming glow in your kitchen for those midnight snacks.

### DESIGN QUALITY

The premium design and quality finish includes a steel interior lining as well as full-extension metal shelf runners for easy access, and robust glass shelving.

### EASY INSTALL

Integrated Column Refrigerators and Freezers have been developed to make their installation easy. The joiner kit is included when pairing refrigerators and freezers. All models come with front adjustable levelling feet and they've been designed to easily slide into place as separate units.

## SPECIFICATIONS

### Accessories

1220mm Stainless steel toe	25395
1372mm Stainless steel toe kick	25397

1524mm Stainless steel toe	<b>25399</b>
762mm Stainless steel toe kick	<b>25391</b>
Contemporary round handle	<b>AHS-RD21</b>
Contemporary square handle	<b>AHD3-RD21</b>
Joiner kit	<b>25328</b>
Matching Replacement Water	<b>847200</b>
Square fine aluminium handle	<b>AHD5RDSF</b>
Square fine black handle kit	<b>AHD5RDSFB</b>
Stainless steel door panel	<b>RD7621L10D</b>

Bottle chill	•
Door alarm	•
Fast freezer	•
Freezer bins	<b>4</b>
Ice Boost	•
LED bin lighting	•
LED ceiling lighting	•
LED side lighting	•
SmartTouch interface at	•

#### Capacity

Total net volume	<b>442L</b>
------------------	-------------

#### Consumption

Energy consumption	<b>1.26kWh/24h</b>
Energy rating	<b>Grade 1</b>

#### Features

Adjustable door shelves	<b>4</b>
Adjustable glass cantilevered	•
Adjustable glass shelves	<b>3</b>
Door alarm	•
LED bin lighting	•
LED ceiling lighting	•
LED side lighting	•
SmartTouch interface at	•
Water Filter	<b>847200</b>

#### Freezer Features

Automatic ice maker	•
---------------------	---

#### Installation Dimensions

Minimum inside width of	<b>762mm</b>
Minimum internal depth of	<b>635mm</b>
Minimum internal height of	<b>2134mm</b>

#### Performance

ActiveSmart Foodcare	•
Adaptive defrost	•
Dual evaporator	•
Frost free	•
Frost free freezer	•
Inverter controlled compressor	•
Sabbath mode	•
Variable temperature zones	<b>2</b>

#### Power requirements

Connection power	<b>330W</b>
Rated current	<b>10A</b>
Supply frequency	<b>50Hz</b>
Supply voltage	<b>220 - 240V</b>

#### Product dimensions

Depth	<b>610mm</b>
Height	<b>2134mm</b>
Width	<b>756mm</b>

#### Warranty

Parts and labour	<b>1 year</b>
------------------	---------------

SKU	25680
-----	-------

The product dimensions and specifications in this page apply to the specific product and model. Under our policy of continuous improvement, these dimensions and specifications may change at any time. You should therefore check with Fisher & Paykel's Customer Care Centre to ensure this page correctly describes the model currently available. ? Fisher & Paykel Appliances Ltd 2020

---

Other product downloads available at [fisherpaykel.com](https://fisherpaykel.com)

[↓](#) Restriction of Hazardous Substances

[↓](#) Service & Warranty

[↓](#)  ZH

[↓](#) Installation Guide

[↓](#)  ZH



**A PEACE OF MIND SALE**

24 Hours 7 Days a Week Customer Support

T 400 640 8777 **W**[www.fisherpaykel.com](https://www.fisherpaykel.com)