

# Integrated Single DishDrawer™ Dishwasher, Tall, Sanitise

Series 9 | Integrated

Panel Ready

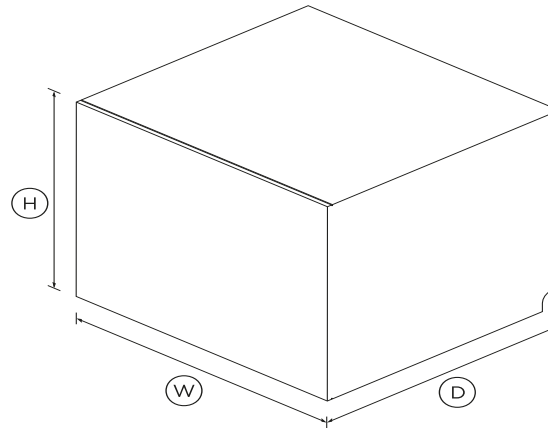


Integrating into your kitchen design seamlessly, with extra height for larger dishes in the tall top drawer.

- Knock to pause function is perfect if you miss a dish
- With extra height for taller dishes, and customisable internal shelving
- Six wash programs, as well as additional Quick wash, Sanitise and Extra Dry options
- Customise with your own front panel and handle to match your kitchen cabinetry

## DIMENSIONS

Height	454mm
Width	599mm
Depth	571mm



## FEATURES & BENEFITS

### Ease of use

DishDrawer™ Dishwashers are as easy to open and close as kitchen drawers and can be conveniently positioned at bench height for ease of loading and minimal bending.

### Quick, Sanitise and Extra Dry options

The Quick wash modifier delivers a faster wash while maintaining performance. The Sanitise option provides extra protection killing 99.9% of bacteria in the final rinse. The Extra Dry setting is perfect for plastic dishes.

### Knock to pause

Instead of needing a remote control, these DishDrawer™ Dishwashers have a knock to pause function. A knock on the front panel will pause the dishwasher which can be re-started again by using the start/play button.

### Quiet performer

Running at a very low decibel rate, these DishDrawer™ Dishwashers do their job without making a fuss. The combination of intelligent technology and simple mechanics means greater reliability and excellent wash performance.

## SPECIFICATIONS

### Accessories

- Cutlery basket
- Knife clip and multipurpose

### Capacity and loading

Accommodates round plates	310mm
Adjustable height, foldable	•
Fold down tines	•
Pitch adjustable tines	•

### Consumption

Energy rating	2 ticks
Water rating	2 ticks

### Controls

- Child lock
- Electronic fault/Diagnostic
- End of cycle beeps
- Energy saving delay start

Internal wash selector	•
Knock to pause	•
Rinse aid indicator light	•

---

#### Features

Fan assisted drying	•
Flow through detergent	•
Quiet operation	•
SmartDrive™ technology	•

---

#### Performance

Noise on standard cycle top	<b>43dBA</b>
-----------------------------	--------------

---

#### Power requirements

Amperage	<b>4.2A</b>
----------	-------------

---

#### Product dimensions

Depth	<b>571mm</b>
Height	<b>454mm</b>
Width	<b>599mm</b>

---

#### Warranty

Parts and labour	<b>2 years</b>
------------------	----------------

---

#### Wash Program Modifiers

Extra Dry	•
Quick	•

---

#### Wash Programs

Delicate	•
Eco	•
Fast	•
Heavy	•
Medium	•
Rinse	•

---

#### Water connection

Water pressure	<b>0.1 Mpa - 1 Mpa</b>
----------------	------------------------

---

SKU	81210
-----	-------

---

The product dimensions and specifications in this page apply to the specific product and model. Under our policy of continuous improvement, these dimensions and specifications may change at any time. You should therefore check with Fisher & Paykel's Customer Care Centre to ensure this page correctly describes the model currently available. © Fisher & Paykel Appliances Ltd 2020



#### A PEACE OF MIND SALE

24 Hours 7 Days a Week Customer Support

T +65 6741 0777 W [www.fisherpaykel.com](http://www.fisherpaykel.com)