

Combination Steam Oven, 24", 9 Function

Series 9 | Minimal

Black

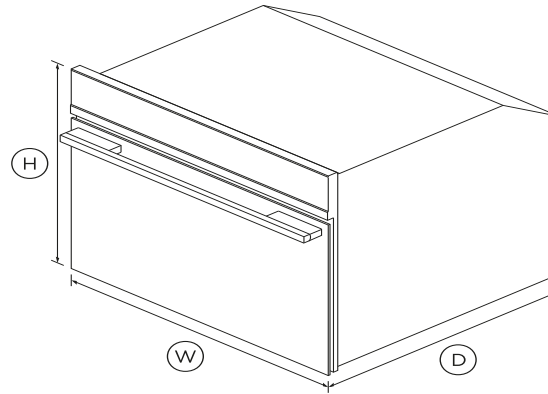


Get more flexibility in the kitchen with both convection cooking and steam cooking, which reduces the need for oils and fats.

- Cooking flexibility with nine oven functions, including five Steam functions, Broil and Convection
- Steam cooking allows you to cook a food in its own juices, to retain nutrients and flavour
- Part of our suite of companion products, designed to match aesthetically for flexible configurations
- 1.3 cu ft total capacity

DIMENSIONS

Height	18 1/16"
Width	23 1/2"
Depth	22 1/8"



FEATURES & BENEFITS

Sized to suit

This compact 24" Combination Steam Oven can be placed almost anywhere in the kitchen. Companion products share the same dimensions and can be installed in multiple configurations to suit your kitchen design and preference.

Cooking flexibility

The Combination Steam Oven allows ingredients to retain their nutrients, moisture content and coloration. With nine oven modes, it doesn't just steam, but also has Broil and Fan functions.

Easy to use

An easy to use, intuitive display shows the time and provides useful information about functions along with a refill alert.

Beauty of choice

With the choice of a stylish stainless steel or elegant black trim, our Companion products help you achieve a coherent kitchen aesthetic that suits your design style.

Easy cleaning

Cleaning and care of the Combination Steam Oven is simple. After each use, just wipe the smooth stainless steel interior with a dry cloth.

Safe and convenient

The CoolTouch door is safe to touch from the outside, protecting your hands and the surrounding cabinetry. The water tank slides in easily, with no plumbing required.

SPECIFICATIONS

Accessories

Baking pan	1
Food probe	1
Optional lower trim kit	Part 81662
Perforated baking tray	1
Wire shelf	1

Capacity

Shelf positions	3
Total capacity	1.3cu ft
Usable capacity	1cu ft

Cleaning

Easy to clean formed side	•
---------------------------	---

Removable water tank •

Controls

- Audio feedback •
- Automatic cooking/minute •
- Celsius/Fahrenheit •
- Electronic capacitive touch •
- High resolution touch display •
- Intuitive information display •
- Multi-language display **UK English, US English,**
- Multi-language interface •
- Precise electronic temperature •
- Recipe and food based •
- True convection oven •

Functions

- Broil •
- Number of functions **9**
- Ring + broil •
- Steam + ring •
- Steam 100 •
- Steam 130 •
- Steam assist •
- Steam clean (oven) •

Performance

Fan Element Power **1500W**
 Grill power **1500W**
 Steam generator **1800W**

Power requirements

Supply frequency **60Hz**
 Supply voltage **208 - 240V**

Product dimensions

Depth **22 1/8"**
 Height **18 1/6"**
 Width **23 1/2"**

Safety

- Control panel key lock •
- CoolTouch door •

SKU **81927**

TEST The product dimensions and specifications in this page apply to the specific product and model. Under our policy of continuous improvement, these dimensions and specifications may change at any time. You should therefore check with Fisher & Paykel's Customer Care Centre to ensure this page correctly describes the model currently available. © Fisher & Paykel Appliances Ltd 2020

Other product downloads available at fisherpaykel.com

- [↓](#) User Guide
- [↓](#) Guide D'Utilisation
- [↓](#) Installation Guide
- [↓](#) Installation Guide
- [↓](#) Installation Guide
- [↓](#) Installation Guide - Cavity Trim Kit
- [↓](#) Guide D'Installation
- [↓](#) Specification Guide Combination Steam Oven
- [↓](#) Data Sheet Combination Steam Oven
- [↓](#) Data Sheet Combination Steam Oven with 30" Trim
- [↓](#) Data Sheet Combination Steam Oven with Bottom Trim



A PEACE OF MIND SALE

24 Hours 7 Days a Week Customer Support

T 1.888.936.7872 Wwww.fisherpaykel.com