

# Integrated Refrigerator Freezer, 90.6cm, Ice & Water

Series 7 | Integrated

Stainless Steel | Right Hinge

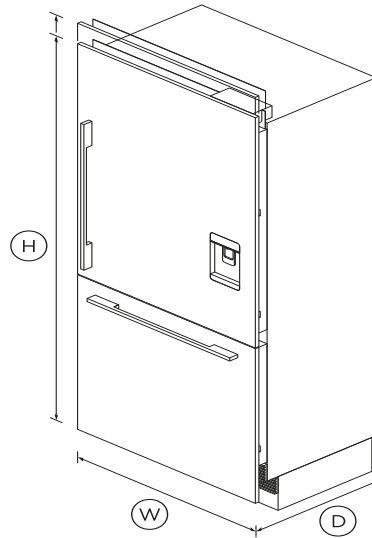


Choose a spacious refrigerator that fits flush into surrounding cabinetry, complemented by our stylish stainless steel panel with a slimline water dispenser.

- ActiveSmart™ technology helps keep food fresher for longer by constantly maintaining the ideal temperature
- SmartTouch control panel ensures ease of use
- Spacious bottom freezer featuring a full-extension drawer and an ice maker with boost function
- Stainless steel door panels and handles are available for separate purchase

## DIMENSIONS

Height	2028mm
Width	906mm
Depth	606mm



## FEATURES & BENEFITS

### Perfect Fit

These models fit flush and have minimal gaps, with no visible hinges. Purchase our stainless steel door panel and handles separately for a sleek, modern finish that complements your kitchen's style.

### ActiveSmart™ Foodcare

ActiveSmart™ Foodcare learns how you live. By understanding how you use your refrigerator and adjusting temperature, airflow

and humidity inside, it helps keep food fresher for longer.

### Flexible Storage

Designed to make it simple for you to store, sort and access food. Storage bins give you full access inside when they're pulled open and can be easily removed to clean. Our cantilevered shelving also gives you more storage options.

### Ice maker

Fresh ice is always available for you in a dedicated freezer bin. Simply turn it off to free up freezer space or during busy times, you can boost ice production by up to 30%.

### Water dispenser

The slimline dispenser makes it easy to fill almost any sized jug or vessel with cool filtered water without taking up any storage space in your fridge.

### Beautiful Lighting

LED lighting illuminates the interior with a crisp, clean glow for enhanced visibility. Our energy saving LEDs use less power than comparable halogen lights.

### Easy Cleaning

No more permanent dirty marks with our EZKleen feature for stainless steel refrigerators. Anti-fingerprint coating means you simply wipe clean any marks. Spill-safe secure glass shelves easily capture any drips or leaks.

## SPECIFICATIONS

### Accessories (sold separately)

Door panel set stainless steel	RD9121WRU
Handle kit Contemporary	AHS-ASBI-B
Handle kit Contemporary	AHD5RD9120W
Handle kit Contemporary	AHD5RD9120WB
Handle kit Contemporary	RS91W
Joiner kit	RS91W

Water filter replacement **847200 - FWC3**

**Capacity**

Total net volume **477L**

Volume freezer **145L**

Volume refrigerator **332L**

**Consumption**

Energy consumption **303kWh/year**

Energy rating **E**

Energy usage **303kWh/year**

In-use energy carbon **60.2kgCO2e/year**

**Features**

Adjustable door shelves **6**

Adjustable glass shelves **3**

Covered door shelves **2**

Deli storage bins **1**

Door alarm **•**

Fruit and vegetable bins **2**

Full extension runners **•**

LED lighting **•**

SmartTouch control panel **•**

Soft close doors **•**

Spill proof removable bins **•**

Stackable bottle holders **4**

Ultra slim water dispenser **•**

Water Filter **part no. 842802**

**Freezer Features**

Automatic ice maker **•**

Bottle chill **•**

Door alarm **•**

Fast freeze **•**

Ice Boost **•**

Ice bin and scoop **•**

LED lighting **•**

Slide Out Pastry Tray **•**

**Performance**

ActiveSmart™ Foodcare **•**

Adaptive defrost **•**

Frost free **•**

Frost free freezer **•**

Humidity control system **•**

Inverter controlled compressor **•**

Noise emissions **42dBA**

Noise emissions class **D**

R600a refrigerant **•**

Sabbath mode **•**

**Power requirements**

Supply frequency **50Hz**

Supply voltage **220V**

**Product dimensions**

Depth **606mm**

Depth (less door) **606mm**

Height **2028mm**

Width **906mm**

**Warranty**

Parts and labour **5 years**

Sealed system parts only **5 years**

SKU **26537**

The product dimensions and specifications in this page apply to the specific product and model. Under our policy of continuous improvement, these dimensions and specifications may change at any time. You should therefore check with Fisher & Paykel's Customer Care Centre to ensure this page correctly describes the model currently available. Fisher & Paykel Appliances Ltd 2020

**Where applicable:**

All appliances use energy, and energy usage typically generates carbon emissions. **Fisher & Paykel Appliances' In-use Energy Carbon Emissions Estimate** indicates carbon emissions from a product's in-use energy. This is calculated either annually or per cycle, using the product's market-specific energy label energy consumption data multiplied by the carbon emissions factor for energy in your country or region.

Our In-use Energy Carbon Emissions Estimate is designed to assist customers in making informed purchasing decisions when comparing different Fisher & Paykel products. For example, a heat pump dryer typically has a lower In-use Energy Carbon Emissions Estimate than a vented dryer.

---

Other product downloads available at [fisherpaykel.com](https://fisherpaykel.com)



Service & Warranty



User Guide Integrated Refrigerator Freezer



Declaration of Conformity Refrigeration with WiFi  
Capability



User Guide Integrated Refrigerator Freezer



Installation Guide ActiveSmart Integrated Refrigerator  
Freezer EN



Water Filter Replacement Instructions & Installation Guide  
EN



Dual Installation Guide EN



Data Sheet Integrated Refrigerator Freezer



Planning Guide Integrated Refrigerator Freezer



**A PEACE OF MIND SALE**

**24 Hours 7 Days a Week Customer Support**

**T 08000 886 605 W [www.fisherpaykel.com](https://www.fisherpaykel.com)**