

DISHWASHER – DW24U6I MODELS

US CA

For detailed information on the features of your dishwasher

➤ see your 'User guide'

For warranty information

➤ see your 'Service and warranty' booklet

If you...

- have any questions or comments
- need a Fisher & Paykel authorized technician to service your product
- need replacement parts or accessories
- want to register your product

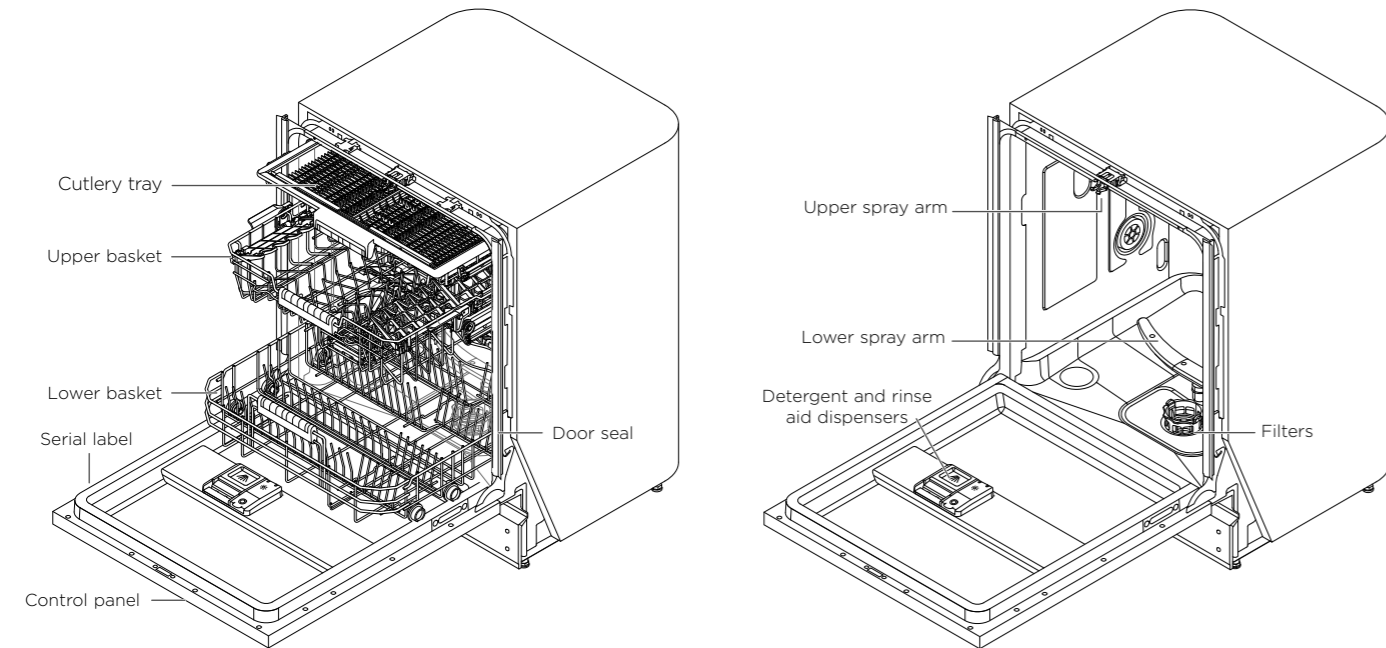
➤ see your 'Service and warranty' booklet or contact us

➤ USCA toll-free, 24/7 1.888.936.7872

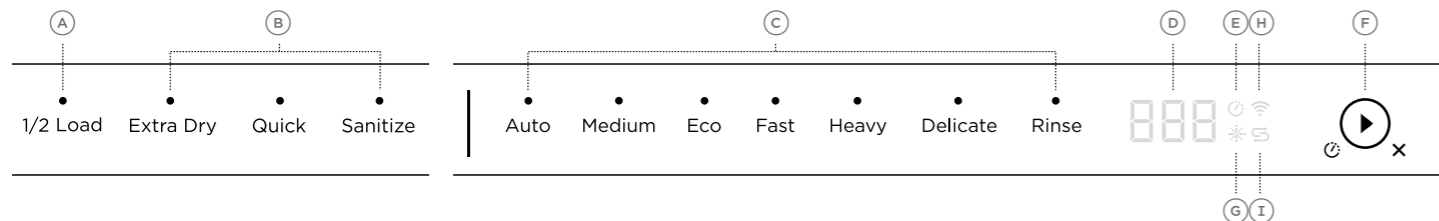
www.fisherpaykel.com

PRODUCT OVERVIEW

Ensure the installer has removed all packaging and completed the 'Final checklist' in the Installation instructions.



CONTROLS OVERVIEW



Off/On

Open/Close the door to turn the dishwasher on or off.

A 1/2 load selector

Touch to select. If lit: half load function is activated.

B Wash modifier selector

Touch to select modifier (see 'Setting wash modifiers').

C Wash programme selectors

Touch desired wash programme to select.

Auto	Senses the optimal wash programme for your dishes
Medium	Dishes that are quite heavily soiled or food soils that have been left to dry overnight
Eco	Normally soiled dishes for optimum water and energy usage
Fast	Lightly soiled dishes
Heavy	Heavily soiled pots, pans and dishes
Delicate	For lightly soiled and heat sensitive crockery
Rinse	Prevents odours and soils from drying on dishes

D Display

Shows:
 - the time remaining (minutes)
 - the delay start time (hours)
 - Fault code numbers (see 'If there is a fault code').

E Delay start indicator

If lit: start is delayed.

F Start wash or set Delay start

Touch ▶ to start. Hold ▶ to set delay start (see 'Set Delay start').

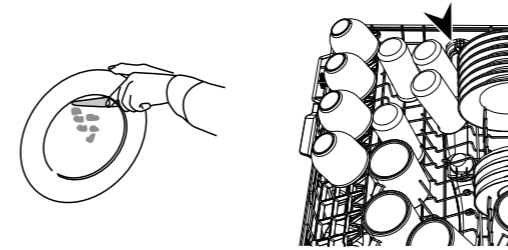
G Rinse aid indicator

If lit: Rinse aid dispenser requires filling.

H Wireless indicator (not available on this product)

I Salt indicator (not available on this product)

STARTING A WASH



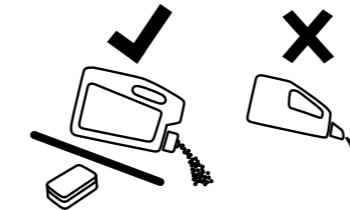
1 Discard food scraps and load dishes carefully

- Scrape large food particles off (eg bones, fruit stones) and remove any foreign objects (eg toothpicks, strings, paper).
- To help with wash performance, arrange dishes so they are evenly spaced and not nesting.

Note: maximum plate height is 260mm.

For more detail, see User guide:

- 'Caring for your dinnerware'
- 'Loading advice'



2 Add detergent

Fill the detergent dispenser with powdered detergent and close the dispenser door or place a dishwasher tablet in the cutlery basket.

For more detail, see User guide:

- 'Water hardness and dishwashing'
- 'Wash programmes and detergent quantities'
- 'Adding detergent'

Rinse aid level indicator



3 Turn power on (also check water is turned on)

For more detail, see User guide:

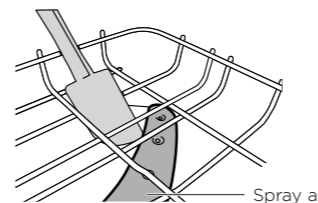
- 'Controls and starting a wash'

4 Check rinse aid level, refill if necessary

If the rinse aid level is low, the rinse aid indicator on the display will light up.
 - Press the button to snap the dispenser cover open.
 - Pour rinse aid into the circular opening (up to the MAX marking).
 - Wipe up any spills and click shut the cover.

For more detail, see User guide:

- 'Using rinse aid'



5 Check that nothing obstructs the spray arms, then close the door firmly



6 Select wash programme

Touch desired programme to select.

7 Select wash modifiers (optional)

Touch desired wash modifier option
 - not all modifiers are available for every wash programme
 - only one modifier can be set at a time.

For more detail, see User guide:

- 'Setting wash modifiers'



8 Start wash

- Touch ▶ and close door in 4 seconds to start the wash programme.
OR set Delay start

- Touch and hold ▶ to enter delay start. Touch ▶ again to increase the time (in hours).

For more detail, see User guide:

- 'Setting Delay start'

Cancel a wash once it has started

- Open the door carefully to pause the wash. Touch and hold ▶ until a beep is sounded. The wash cycle and modifiers will go out and the display will turn off.
- If you wish, you can start a different programme. Note: you may need to refill the detergent dispenser.

Pause and restart a wash programme

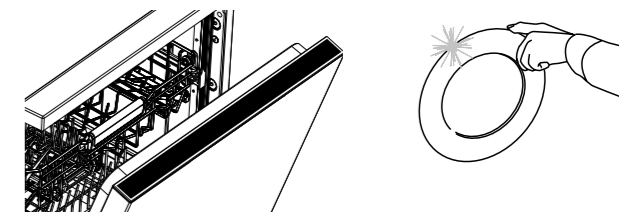
Open the door carefully to pause the programme.

IMPORTANT!

There is a risk of being sprayed with hot water. Do not fully open the door until the spray arms have stopped rotating.

- The time remaining will flash and the pause beep will sound while the dishwasher is paused.
- Load, remove, or rearrange any dishes if needed.
- Press the start button and close the door in 4 seconds to restart the programme. If the dishwasher is not restarted within 7 minutes, it will then beep until the cycle is restarted.

AFTER THE WASH HAS ENDED



- 1 The dishwasher will beep. The display will show 0. After 30 seconds the display will turn off.
- 2 Open the door slightly and leave ajar to help drying. Once cooled, unload dishes carefully.

For more detail, see User guide:

- 'After the wash'

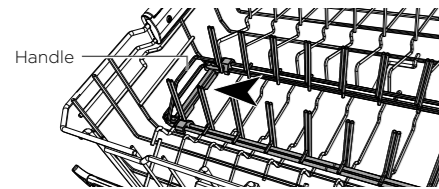
Check condition of dishwasher, clean if necessary.

UPPER BASKET

- The upper basket is designed to hold items like glasses, cups, saucers, plates, small bowls and shallow pans.
- Place larger utensils on or under the foldaway cup racks in the upper basket. Ensure that knife blades are facing down and that light weight items are weighted down or placed on the cupracks.

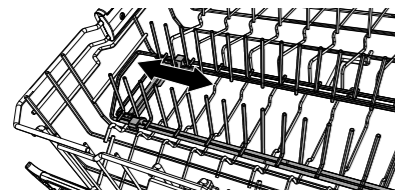
REMOVABLE SPACING-ADJUSTABLE TINE RACK

Designed to fit deep bowls (wide spacing) or small plates (narrow spacing), depending on adjustment.



Adjust the tine spacing

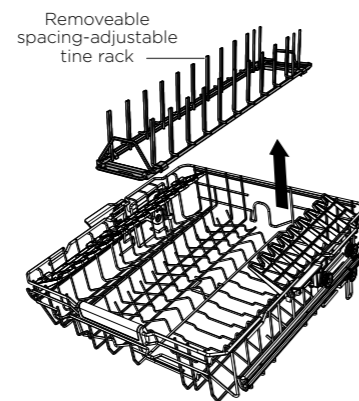
To adjust between wide and narrow spacings, slide the tines backward or forward by pushing or pulling the handle at the front.



If needed, remove the rack to make space for larger items.

Remove the rack

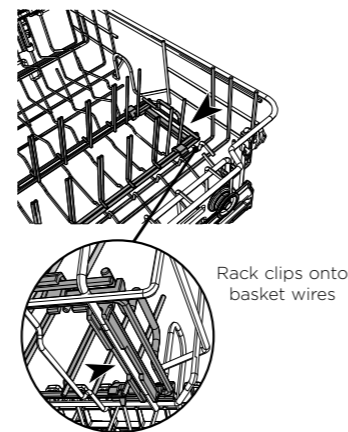
Lift the rack up by the handle at the front and slide out the hooks at the rear.



Front right cup rack hidden from illustration

Replace the rack

Slot the hooks at the rear of the rack onto the base of the basket and lower the rack into place.



Rack clips onto basket wires

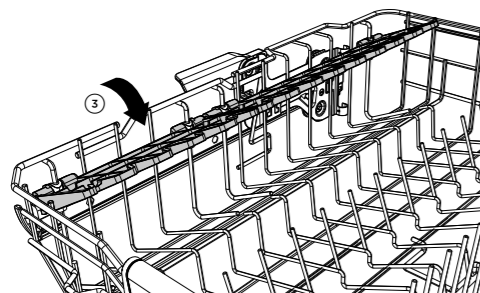
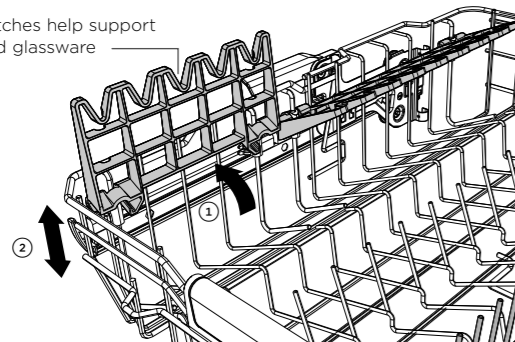
ADJUSTABLE FOLDAWAY CUP RACKS

- Use the cup racks to support mugs, cups and glassware, and to secure large utensils and knives.
- Adjust the height to suit the items stored on or below the racks.
- Fold the racks away if you need to make space for taller items.

You can adjust these independently of each other to any height

- 1 Fold up to unlock the rack.
- 2 Adjust the height to suit by sliding up or down.
- 3 Fold down to lock in position.

Stemware notches help support long-stemmed glassware

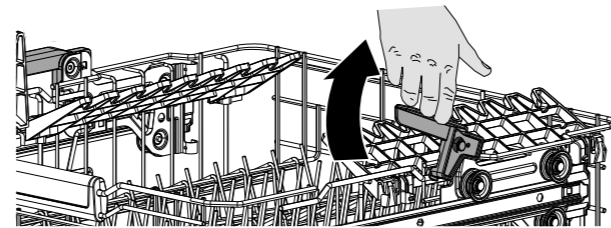


ADJUSTING THE HEIGHT OF THE UPPER BASKET

- Raise or lower the height of the upper basket to create more space for tall items in either basket (there are three positions to choose from).
- You can adjust the height even when it is fully loaded, as you do not have to remove it from the dishwasher.
- Ensure the basket is evenly adjusted on both sides and is level.
- If you remove the basket fully, make sure that the runners are aligned at the same height on both sides before re-inserting.

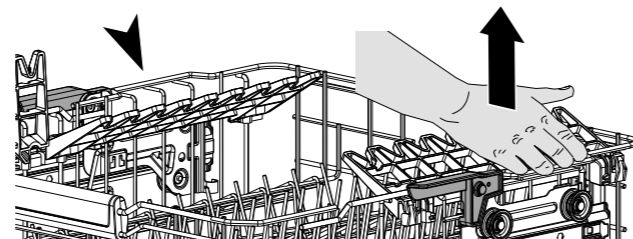
Lower the basket

- Pull the lever up on one side and, without releasing it, carefully let the basket drop down. Use the other hand to support the opposite side of the basket, so that it doesn't drop suddenly and damage loaded dishes.
- Repeat for the other side.



Lift the basket

- Hold it on one side and carefully pull upwards until it clicks into place. Repeat for the other side. Note: you do not need to lift the levers up when raising the height of the basket back up.



LOWER BASKET

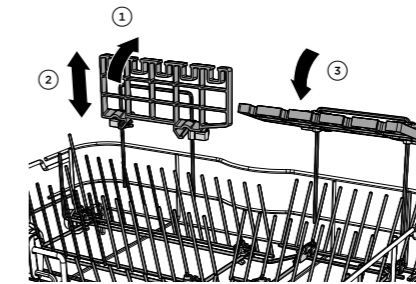
- Use the lower basket for your largest dishes: pots, pans, lids, serving dishes and bowls.
- Ensure dishware items do not block the spray arm above from rotating.
- Place larger plates between the longer tines to maximise stability.
- If you need more height for tall items, you can raise the upper basket (see instructions opposite).

ADJUSTABLE WINE GLASS SUPPORT RACKS

- Use to support wine glasses and stemware.
- Adjust the height to suit the items stored below the racks.
- Fold the racks away if you need to make space for taller items.

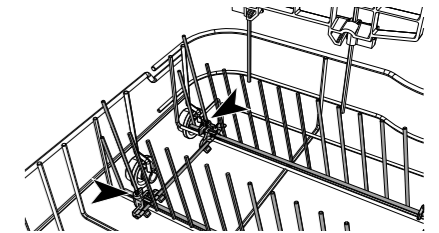
Adjust independently to any height

- 1 Fold up to unlock the rack.
- 2 Adjust the height to suit by sliding up or down.
- 3 Fold down to lock in position.

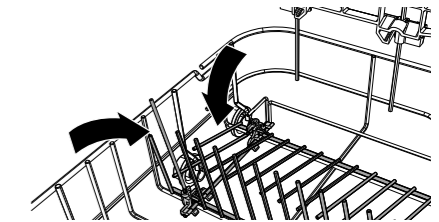


FOLDING TINE RACK

- Tines can be folded down if you need the space for pots or other large items.



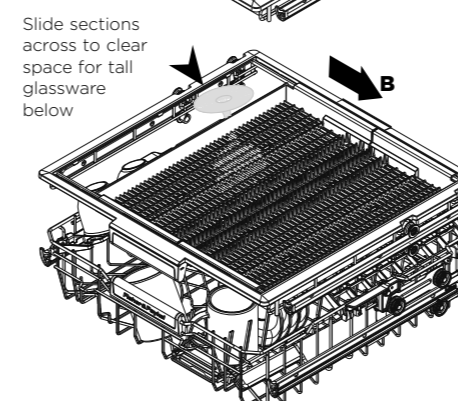
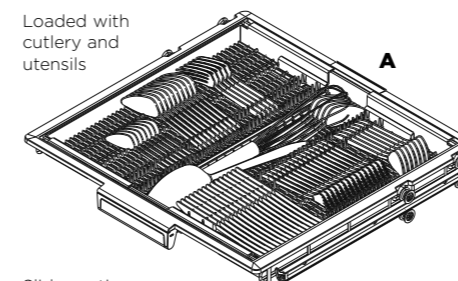
- Release by pushing the small clips at the rear and fold the tine sections down towards each other.



CUTLERY TRAY

LOADING THE CUTLERY TRAY

- The cutlery tray is designed to hold cutlery and utensils (A).
- Use the cutlery tray to securely hold long or sharp items like knives, chopsticks or ladles. Place larger utensils in the middle section of the tray, and ensure that knife blades are facing down.
- Arrange cutlery items on their side using the notches in the trays.
- Slide side sections to the centre if you need space for tall items below (B).

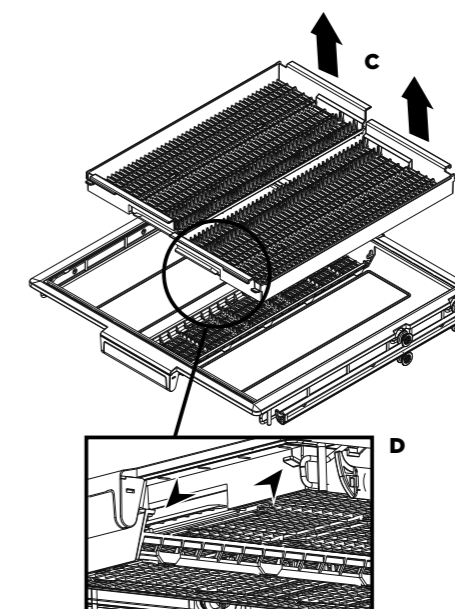


REMOVEABLE SECTIONS

- Remove the side sections from the main tray (C)
- Slide the sections to the centre of the tray.
- Lift each section up from the centre of the tray to unhook the runners, then lift the section up and out.

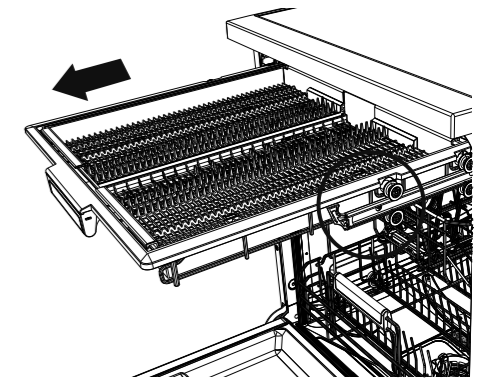
Refit the side sections into the main tray (D)

- Refit the sections back into the centre of the tray.
- Slot the hooks at either end of the section under the runners on the front and back of the tray.
- Align the edges of the section with the runners and clip back into place.



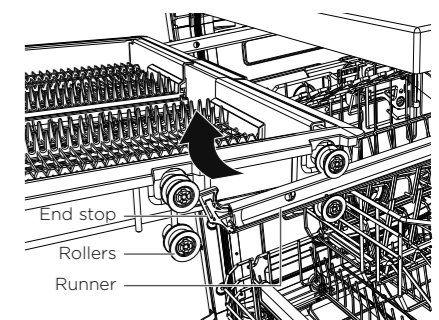
REMOVE THE CUTLERY TRAY

Gently pull the tray fully forwards and lift it clear of the runners.



Replace the cutlery tray

- Place the tray back onto the runners and click the rollers correctly into place.
- Make sure that the runners are properly aligned between the sets of rollers on both sides of the tray.



Lift the rollers clear of the end stops and then the tray clear of the runners