

Integrated Dishwasher, 24", Sanitize

Series 5 | Integrated

Panel Ready

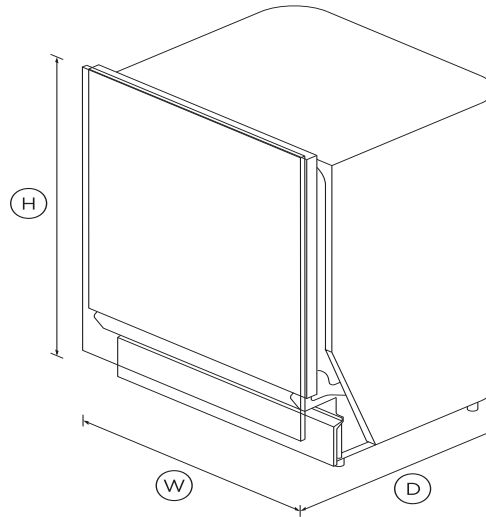


Offering a superior wash performance, this Dishwasher is panel ready and designed to be integrated into your kitchen for a seamless look.

- Customize with your own front panel and handle to match your kitchen cabinetry
- Seven wash programs to suit any load, from Delicate to Heavy
- Quick, Sanitize and Extra Dry provide extra wash options
- Flexible racking allows you to customise internal shelves to suit your needs

DIMENSIONS

Height	32 5/16 - 36 1/2"
Width	23 3/4"
Depth	22 3/4"



FEATURES & BENEFITS

Sized to suit

Install this fully integrated dishwasher to tall (American size) or short (Euro/ADA size) counter heights, ensuring minimal gaps. Customize with a front panel to match kitchen cabinetry.

A quality wash

This dishwasher offers seven wash programs including Auto, which automatically senses the optimal wash cycle for your dishes. The three stage filtration system delivers a superior clean, while the rinse aid indicator reminds you to top up for squeaky-

clean dishes.

Flexible stacking

Designed to fit 14 place settings, the flexible, adjustable storage lets you stack even large items with ease - featuring a full width cutlery tray, height adjustable middle rack, cup holders and wine glass supports.

Quick, Sanitize and Extra Dry options

A Quick wash modifier results in a faster clean, while maintaining wash performance. The Sanitize option provides extra protection killing 99.9% of bacteria in the final rinse. The Extra Dry setting is perfect for plastic dishes.

Quiet and Reliable

Running at a very low decibel rating, this dishwasher does its job without making a fuss. The combination of clever technology and simple mechanics means greater reliability and superior wash performance.

Efficient performance

This dishwasher is very efficient in its use of water and energy, while delivering a powerful wash that ensures optimal results.

SPECIFICATIONS

Accessories

- Kickstrip

Accessories (sold separately)

Door panel stainless steel	AD-DW ADA
Handle kit Classic	AHCL-DDD-24X
Handle kit Contemporary	AHS-OBDD-60S
Handle kit Contemporary	AHD5-OBDD-60SX
Handle kit Contemporary	AHD5-OBDD-60SB
Handle kit Contemporary	AHD3-OBDD-60S
Handle kit Professional round	AHP3-DWDD-SX

Handle kit Professional round	AHP3DDDW24BA
Handle kit Professional round	AHP3DDDW24DC

Capacity and loading

Accommodates round plates	10 1/4"
Fold down tines	•
Full width cutlery/utensil tray	•
Height adjustable rear wine	•
Pitch adjustable tines	•
Place settings	14
Wine glass supports	•

Consumption

Energy rating	Energy star
Energy usage	232kWh/year
In-use energy carbon	85.0kgCO2e/year
Water usage (per wash cycle)	3 gal

Controls

End of cycle beeps	•
Energy saving delay start	•
Floor light cycle feedback	•
Keylock	•
Rinse aid indicator light	•

Features

Quiet operation	•
ThermoDry system	•
Three-stage filtration system	•
Variable wash pressure	•

Performance

Noise emissions	46dBA
-----------------	--------------

Power requirements

Amperage	10A
Supply frequency	50Hz
Supply voltage	220 - 240V

Product dimensions

Depth	22 3/4"
Height	32 5/16 - 36 1/2"
Width	23 3/4"

Safety and compliance

ADA compliant	•
---------------	---

Warranty

Parts and labor	2 years
-----------------	----------------

Wash Program Modifiers

Extra Dry	•
Half-load	•
Quick	•
Sanitize	•
Wash modifiers	4

Wash Programs

Auto	•
------	---

Delicate	•
Eco	•
Fast	•
Heavy	•
Medium	•
Rinse	•
Wash programs	7

Water connection

Water pressure	100kPa - 1000kPa
----------------	-------------------------

SKU	81872
-----	--------------

The product dimensions and specifications in this page apply to the specific product and model. Under our policy of continuous improvement, these dimensions and specifications may change at any time. You should therefore check with Fisher & Paykel's Customer Care Centre to ensure this page correctly describes the model currently available. ? Fisher & Paykel Appliances Ltd 2020

Other product downloads available at fisherpaykel.com



Quick Start Guide



User Guide



Energy Label



Service & Warranty



Energy Label Integrated Dishwasher



Guide d'installation FR



Installation Guide EN



Planning Guide Professional Style Dial/Handle Accessories



A PEACE OF MIND SALE

24 Hours 7 Days a Week Customer Support

T 1.888.936.7872 W www.fisherpaykel.com