

# Freestanding Refrigerator Freezer, 32", 17.1 cu ft

Series 5 | Contemporary

Stainless Steel | Left hinge

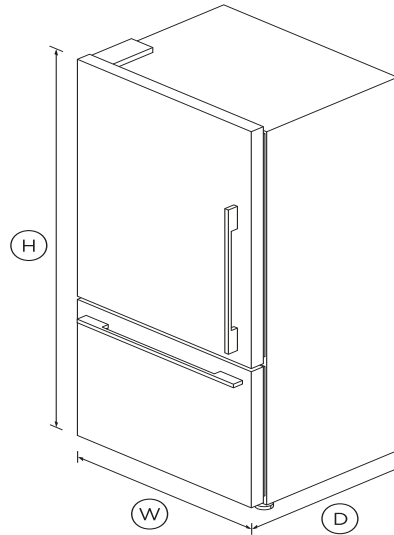


This stylish left hinge refrigerator has a large capacity and comes in timeless stainless steel.

- ActiveSmart™ technology helps keep food fresher for longer by constantly maintaining the ideal temperature
- Spacious bottom freezer with full extension drawer gives easy access to frozen goods

## DIMENSIONS

Height	67 3/4"
Width	31 1/8"
Depth	27 3/8"



## FEATURES & BENEFITS

### ActiveSmart™ Foodcare

ActiveSmart™ Foodcare learns how you live. It's technology which understands how you use your fridge and adjusts temperature, airflow and humidity inside to help keep food fresher for longer.

### Easy cleaning

No more permanent dirty marks with our EZKleen feature for stainless steel refrigerators. Anti-fingerprint coating means you simply wipe clean any marks. Spill-safe secure glass shelves

easily capture any drips or leaks.

### Design quality

Our refrigerators are designed and built using quality materials. We use real stainless steel on our refrigerators and solid glass for shelving.

### Simple storage

There are multiple storage options for you to choose from. Different sized adjustable shelves and door storage give you plenty of room to stack and pack all your groceries. Storage bins give you full access inside when they're pulled open and can be easily removed to clean.

### Clever energy

Your refrigerator adapts to daily use by cooling and defrosting only when needed. This means your refrigerator uses the energy it needs without compromising on food care.

## SPECIFICATIONS

### Accessories

Contemporary round handle	25379
Joiner kit	819264
Surround Kit (Joined left/right)	Part number 24476
Surround Kit (Right Hand)	24475

### Capacity

Volume freezer	4.8cu ft
Volume refrigerator	12.3cu ft

### Consumption

Energy usage	452kWh/year
--------------	-------------

### Features

Adjustable door shelves	4
Adjustable glass shelves	4
Covered door shelves	2
Door alarm	•
Fruit and vegetable bins	2
SmartTouch control panel	•
Stackable bottle holders	2

---

SKU	25068
-----	-------

---



**A PEACE OF MIND SALE**

**24 Hours 7 Days a Week Customer Support**

**T 1.888.936.7872 Wwww.fisherpaykel.com**

The product dimensions and specifications in this page apply to the specific product and model. Under our policy of continuous improvement, these dimensions and specifications may change at any time. You should therefore check with Fisher & Paykel's Customer Care Centre to ensure this page correctly describes the model currently available. ? Fisher & Paykel Appliances Ltd 2020

**Freezer Features**

- Bottle chill •
- Fast freeze •
- Large plastic bins •

**Performance**

- ActiveSmart™ Foodcare •
- Adaptive defrost •
- Frost free freezer •
- Humidity control system •
- Sabbath mode •

**Product dimensions**

Depth	27 3/8"
Height	67 3/4"
Minimum air clearance - at rear	1 3/16"
Minimum air clearance - each	1 3/16"
Width	31 1/8"

**Warranty**

Parts and labour	2 years
Sealed system parts and labor	additional 3 years