

Freestanding Refrigerator Freezer, 79cm, 469L, Ice & Water

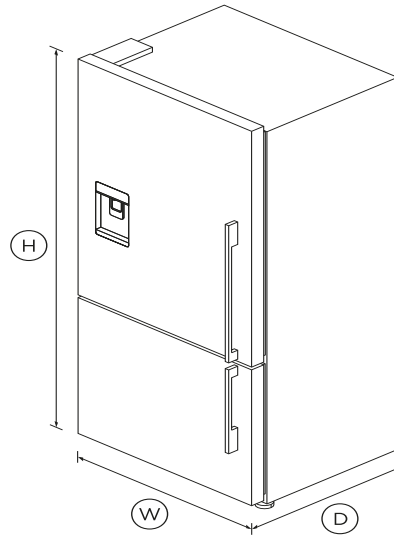
Series 5 | Contemporary



Large capacity in stylish stainless steel, you'll have plenty of room for your chilled and frozen food.

DIMENSIONS

Height	1715
Width	790
Depth	695



SPECIFICATIONS

Accessories (sold separately)

Joiner kit	Part number 819264
Matching Replacement Water	Models 24xxx = part no.
Surround Kit (Joined left/right)	Part number 23988
Surround Kit (Left Hand)	Part number 23986
Surround Kit (Right Hand)	Part number 23987

Capacity

Total gross capacity **534L**

Consumption

Energy rating **A+**

Features

Adjustable door shelves	4
Adjustable glass shelves	4
Covered door shelves	2
Door alarm	•
Front levelling feet	•
Fruit and vegetable bins	2
Full extension runners	•
Full width door shelves	2
LED lighting	•
Rear rollers	•
Single bottle holders	4
SmartTouch control panel	•
Stackable bottle holders	4
Ultra slim water dispenser	•

Freezer Features

Bottle chill	•
Door alarm	•
Fast freeze	•
Ice Boost	•
Ice bin and scoop	•
Large plastic bins	•
Small plastic bins	2

Performance

- ActiveSmart™ Foodcare •
- ActiveSmart™ technology •
- Adaptive defrost •
- Frost free •
- Frost free freezer •
- Humidity control system •
- Sabbath mode •

**A PEACE OF MIND SALE****24 Hours 7 Days a Week Customer Support****T 08000 886 605 W www.fisherpaykel.com****Product dimensions**

Depth	695
Height	1715
Minimum air clearance - each	20mm
Minimum air clearance - on top	50mm
Width	790

SKU	25423
-----	-------

The product dimensions and specifications in this page apply to the specific product and model. Under our policy of continuous improvement, these dimensions and specifications may change at any time. You should therefore check with Fisher & Paykel's Customer Care Centre to ensure this page correctly describes the model currently available. ? Fisher & Paykel Appliances Ltd 2020