

FISHER & PAYKEL

DATA SHEET

Integrated Rangehood, 90cm with External Motor

Model nos:

HP90IDCHEX4

Product Dimensions

	mm
Ⓐ Overall height of rangehood without ducting adapter	316
Ⓑ Overall height of rangehood with ducting adapter	398
Ⓒ Overall width of rangehood	830
Ⓓ Overall depth of rangehood (excl. cabinetry front panel)	280
Ⓔ Diameter of ducting adaptor	200
Ⓕ Width of rangehood chassis	792
Ⓖ Depth of rangehood chassis	258
Ⓗ Thickness of flange	2
Ⓛ Distance from ducting outlet centre to rear of chassis	157
Ⓜ Height adjustability of clip that secures cooker hood (cabinet base panel thickness)	min 15 max 40
Ⓝ Distance from rear to centre of light	253

Cavity Dimensions Standard Installation

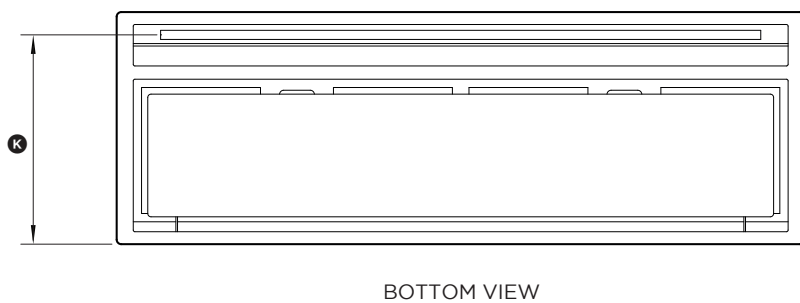
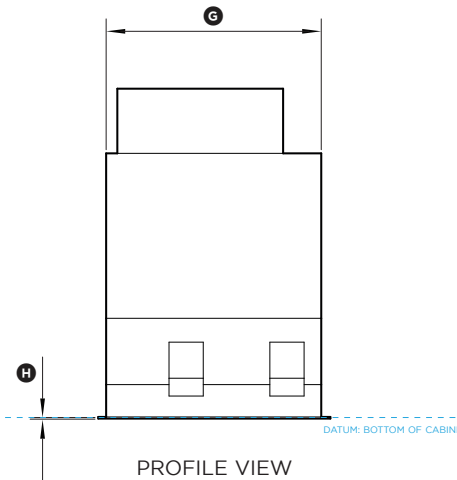
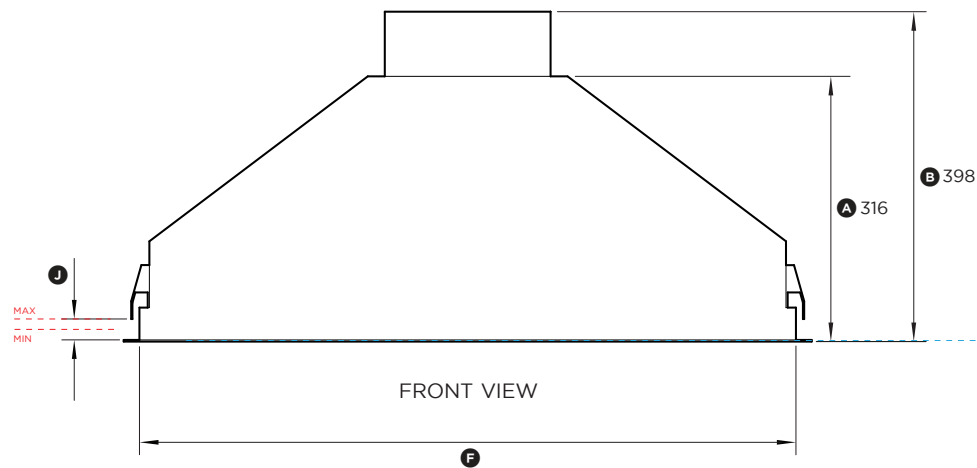
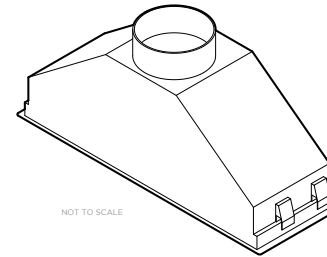
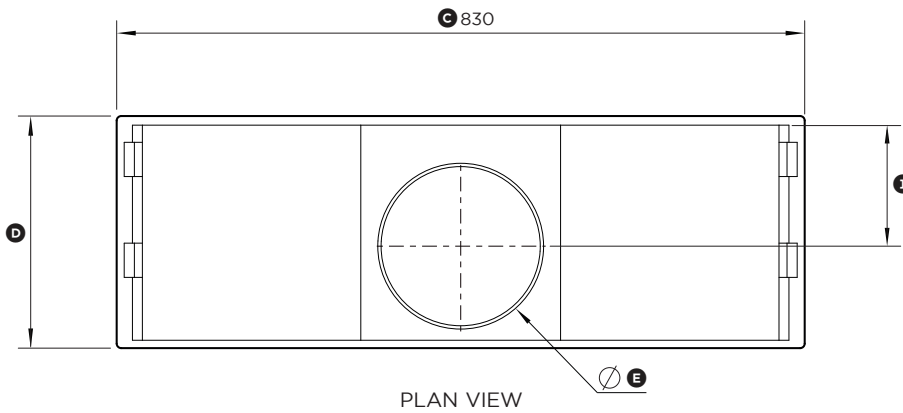
	mm
Width of cutout	800
Depth of cutout	260

Minimum distance above cooktops

	mm
Minimum height from top of cooktop to base of product	600

Minimum height may be greater if required by your cooktop. Refer to cooktop installation guide for details.

Note: We recommend the cabinet has a door or service panel that can be easily opened to access the power connection.



INDICATES CUTOUT -----
 INDICATES PRODUCT DATUM -----
 INDICATES CABINETY CLEARANCES -----

DATE: 22.08.2023

90003058A

IMPORTANT NOTE: Throughout this guide, dimensions may vary by $\pm 2\text{mm}$ (1/16"). Please read the installation guide for detailed information on installing the product. For full installation instructions & specifications visit fisherpaykel.com

