

Front Loader Washing Machine, 12kg

Series 7 | Front Load

White

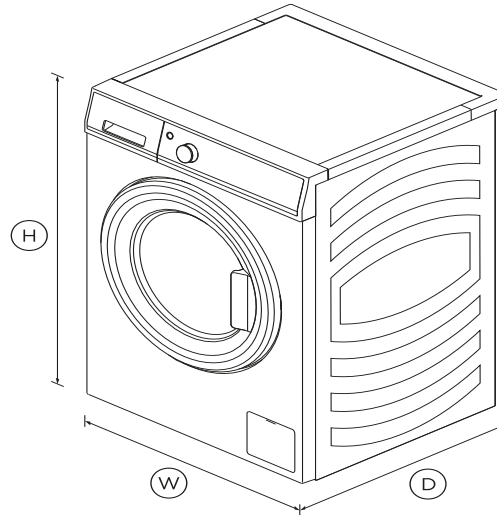


With room for large loads, this front loader has a cycle for any kind of load, from delicates to bulky items.

- With 13 wash cycles including a 30 minute Quick cycle to cater to busy lives
- SmartDrive™ technology delivers a gentle, quiet and reliable wash
- Add a Garment function allows you to add items mid cycle
- 4.5 star water and energy rating

DIMENSIONS

Height	850mm
Width	600mm
Depth	665mm



FEATURES & BENEFITS

13 fabric care cycles

With 13 fabric care cycles including Quick, Bulky and Handwash. The specially-designed cushioned drum provides a gentle, effective washing action, protecting clothes while delivering an optimal wash performance.

SmartDrive™ technology

SmartDrive™ Technology is a gentle, quiet, and efficient combination of smart electronics and a direct drive motor that senses the load, to deliver better fabric care.

Quick cycles

When time is short, you can select a quick 30 minute wash without compromising cleaning and fabric care. Vortex Wash allows most cycles to take less than 1 hour to complete. Water is forced from the bottom of the drum, so detergent and heat reach your clothes faster, cleaning quickly and avoiding over-washing.

Wash larger loads

The large 12kg drum can wash both small and large loads as well as bulky items like a king size feather doona. The wide door opening makes it easy to load and unload. Large capacity is time saving, as a full week's laundry can be done in just a few loads. Accurate water level sensing makes it highly efficient at washing different load sizes.

Add a Garment

Clearly labelled compartments make it easy to see where to put washing powder and softener. It is cleverly shaped to minimise spills and is easy to remove and clean.

Designed to match

The complete package for a beautiful laundry. The 12kg washing machine is designed to match our 9kg Heat Pump Condensing Dryer. With outstanding aesthetics and complementary wash and dry cycles, they become the perfect pair to deliver complete fabric care.

SPECIFICATIONS

Accessories

Stacking kit

Consumption

Energy rating	4.5 star
Water consumption per cycle	103L
Water rating	4.5 star (WELS)

Features	
Add a garment (immediate)	•
Anti-fungal door gasket	•
Auto out of balance correction	•
Automatic water level	•
Choice of cold only or hot and	•
Delay start	•
Eco rinse	•
Extra large door	•
Extra rinse option	•
Flood protection	•
Keylock	•
Pre Wash	•
Progress indicator	•
SmartTouch™ control dial	•
Soil levels	3
Spin speeds	4
Stainless steel drum	•
Timed liquid detergent	•
Water supply	Hot & Cold
Water temperature controls	5
Wrinkle Free	•

Performance	
Maximum spin speed	1400 rpm
Number of spin speeds	4
SmartDrive™ technology	•
Vortex Wash	•

Product dimensions

Depth	665mm
Height	850mm
Width	600mm

Warranty	
Parts and labour	2 years
Parts only SmartDrive™ Motor	10 years

Wash Cycles	
Allergy	•
Bulky	•
Cottons	•
Customise cycle	•
Delicate	•
Drum Clean	•
Easy Iron	•
Everyday	•
Handwash	•
Heavy	•
Number of wash cycles	13
Quick	•
Quick 30	•
Rinse	•
Spin	•
Super Quick	•

SKU	93237
-----	--------------

The product dimensions and specifications in this page apply to the specific product and model. Under our policy of continuous improvement, these dimensions and specifications may change at any time. You should therefore check with Fisher & Paykel's Customer Care Centre to ensure this page correctly describes the model currently available. ? Fisher & Paykel Appliances Ltd 2020

Other product downloads available at fisherpaykel.com

 [Service & Warranty](#)

 [Installation Guide](#)



A PEACE OF MIND SALE

24 Hours 7 Days a Week Customer Support

T 0800 372 273 [Wwww.fisherpaykel.com](http://www.fisherpaykel.com)