

FISHER & PAYKEL

PRELIMINARY SPECIFICATION GUIDE

DOUBLE DISHDRAWER™ DISHWASHER



Black Stainless Steel Doors



Stainless Steel Doors



Matte Black Glass Doors

OVERVIEW

Our built-under DishDrawer™ Dishwashers are installed flush under the benchtop with the option of a custom kickstrip, ensuring minimal gaps. Designed to match the Fisher & Paykel family of kitchen appliances with recessed handles for a streamlined look. With a combination of clever technology and simple mechanics, this series 9 DishDrawer™ Dishwasher ensures greater reliability and better wash performance.

* Energy and water rating to be confirmed

* Noise subject to change

MODELS

**Recessed Handle Double DishDrawer 60cm,
Black Stainless Steel door, Top of Door User Interface**
DD60D4NB9, DD60D4HNB9*

**Recessed Handle Double DishDrawer 60cm,
Stainless Steel door, Top of Door User Interface**
DD60D4NX9, DD60D4HNX9*

**Recessed Handle Double DishDrawer 60cm,
Matte Black Glass door, Top of Door User Interface**
DD60D4NZB9, DD60D4HNZB9*

* Only available in some markets

SERIES & STYLE

Series 9

Contemporary

FEATURES

- ① Designed to be installed under the benchtop, with recessed handles for a seamless look
- ② Flush fit with cabinetry with the option to add a custom kickstrip, ensuring minimal gaps
- ③ The touch-sensitive control panel is located inside, leaving an uninterrupted exterior
- ④ Each drawer operates independently and holds a true half load for small, fast washing
- ⑤ Six wash programs, as well as additional Quick, Sanitize and Extra Dry modifiers
- ⑥ Conveniently knock on the dishwasher door to pause the cycle
- ⑦ Running at a low decibel rating, this dishwasher does the job without making a fuss
- ⑧ Flexible racking allows for shelf customisation to suit
- ⑨ Sanitize option provides extra protection, killing 99.9% of bacteria in the final rinse
- ⑩ Wi-Fi enabled and works with the SmartHQ™ app for remote control and notifications

ACCESSORIES

- ① Cutlery basket included

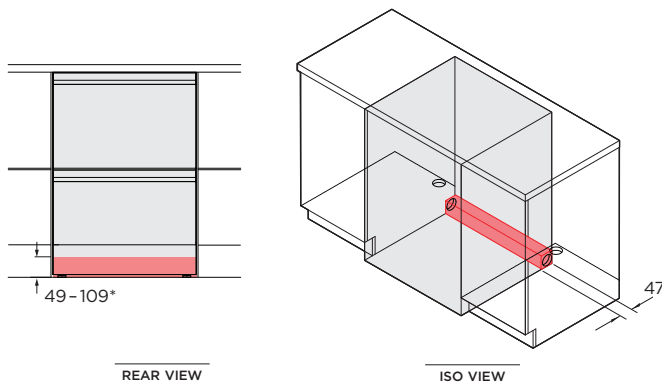
FISHER & PAYKEL

PRELIMINARY SPECIFICATION GUIDE

DOUBLE DISHDRAWER™ DISHWASHER

SPECIFICATIONS

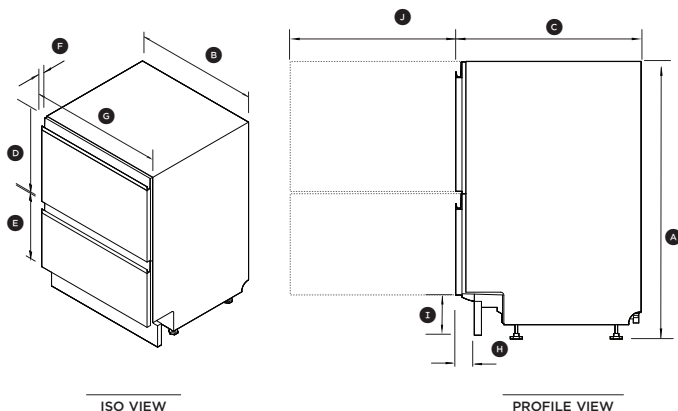
Model No.	DD60D4NB9, DD60D4HNB9 DD60D4NX9, DD60D4HNX9 DD60D4NZB9, DD60D4HNZB9
Dimensions	H 820 - 880mm W 599mm D 573mm
Weight	54kg DD60D4NB9, DD60D4HNB9 DD60D4NX9, DD60D4HNX9 57kg DD60D4NZB9, DD60D4HNZB9
Electrical	
Supply	220-240VAC, 50Hz
Service	8.5A
Outlet	3-prong grounding type
Plumbing	
Supply	3/4" BSP (GB20)
Pressure	Max. 1 MPa (145psi), min. 0.03 MPa (4.3psi) recommended cold. Max 60°C



Service outlet at rear extends both sides, hoses and cords can be routed to either or both sides. Units shown in mm.

*depending on adjustment of leveling feet

PRODUCT DIMENSIONS

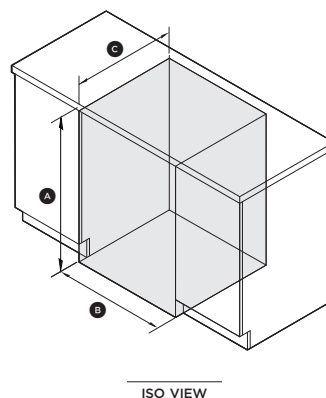


	mm
(A) Overall height*	820-880
(B) Overall width	599
(C) Overall depth**	573
(D) Height of upper front panel	398
(E) Height of lower front panel	309
(F) Depth of front panels	20
(G) Width of front panel	595
(H) Depth of toe kick recess	40-55
(I) Height from floor to front panel base*	100-160
(J) Depth of open drawer	547

*depending on adjustment of levelling feet

**Including front door panel

CAVITY DIMENSIONS: STANDARD INSTALLATION



	mm
(A) Overall height*	min 820
(B) Overall width	600
(C) Overall depth	min. 580

*depending on adjustment of levelling feet