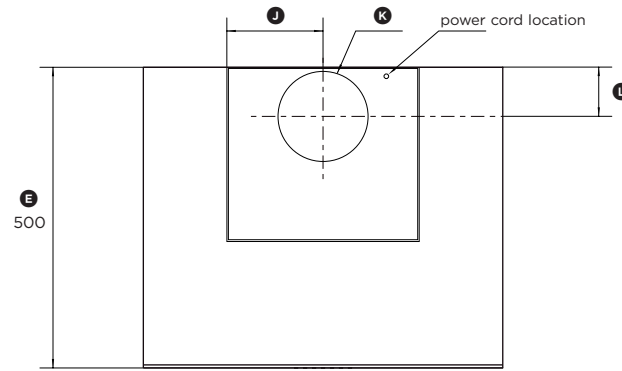
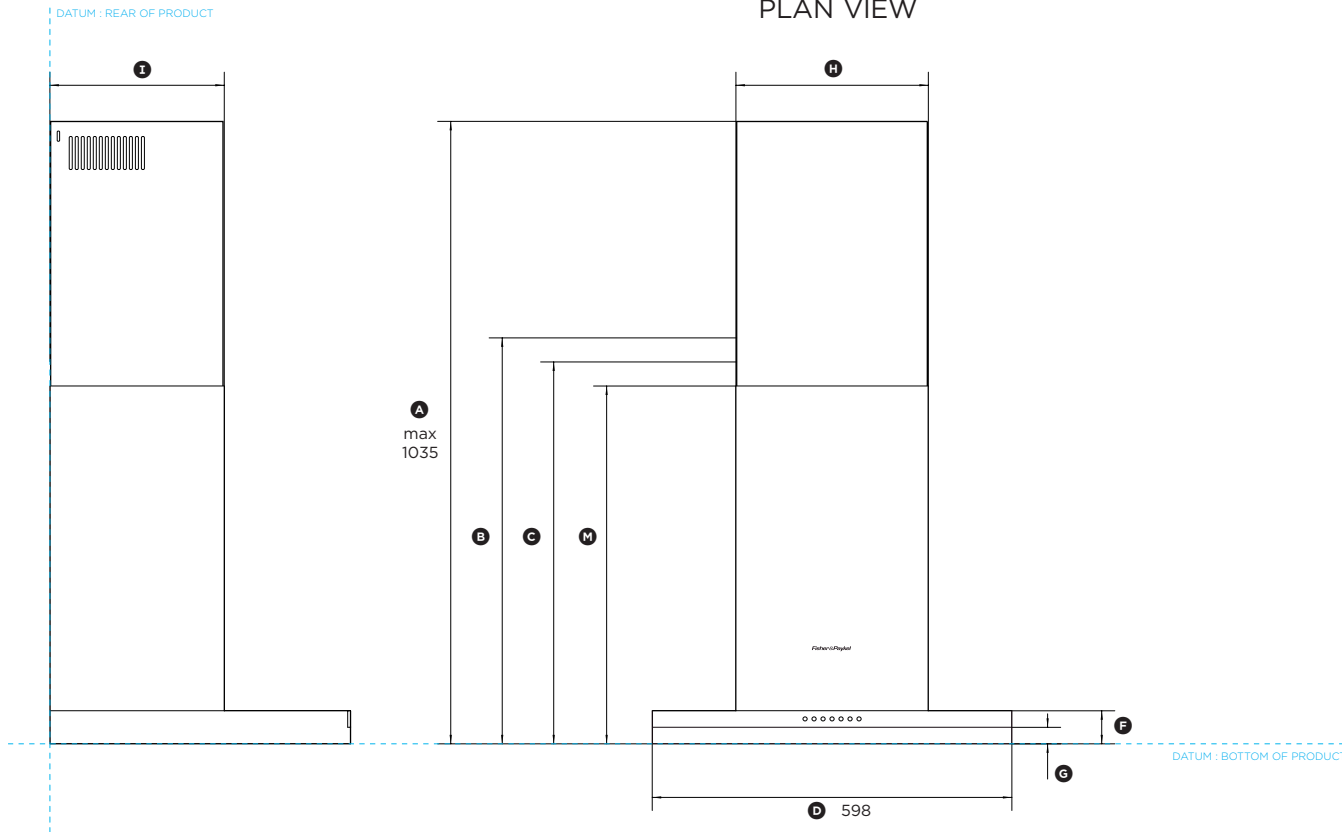


DATA SHEET

600MM WALL CHIMNEY RANGEHOOD



PLAN VIEW



PROFILE VIEW

FRONT VIEW

Model no:

HC60DCXB3

Product Dimensions	mm
Ⓐ Maximum height of rangehood	1035
Ⓑ Minimum overall height - recirculating	675
Ⓒ Minimum overall height - ducted	635
Ⓓ Overall width of rangehood	598
Ⓔ Overall depth of rangehood	500
Ⓕ Height of canopy	55
Ⓖ Height from bottom datum to top of stainless strip	27
Ⓜ Width of chimney	320
Ⓣ Depth of chimney	290
Ⓝ Distance from centre of ducting outlet to side of chimney	160
Ⓖ Ducting outlet diameter	150
Ⓛ Distance from centre of ducting outlet to back of product	82
Ⓢ Height from datum to top of lower chimney section	595

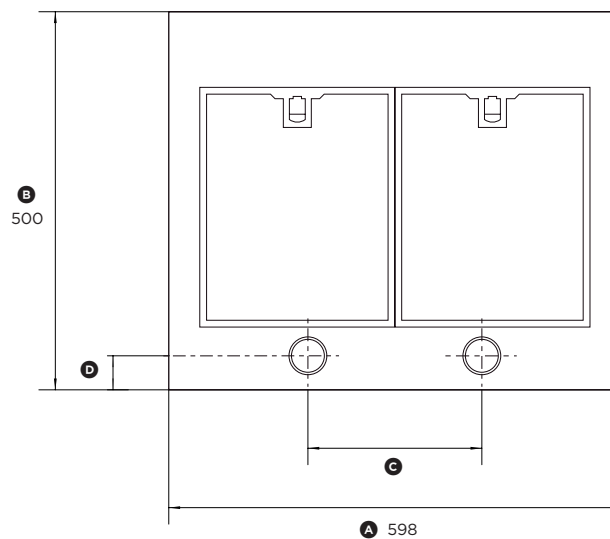
Height from base of rangehood to cooktop surface	mm
Gas	650 - 750
Electric (including induction)	600 - 750

DATE: 23.08.2016

IMPORTANT NOTE: Throughout this guide, dimensions may vary by ±2mm (1/16"). Please read the installation manual for detailed information on installing the product. For full installation instructions & specifications visit fisherpaykel.com

Model no:
HC60DCXB3

Product Dimensions	mm
Ⓐ Overall width of rangehood	598
Ⓑ Overall depth of rangehood	500
Ⓒ Distance between light centres	230
Ⓓ Distance from centre of lights to rear of product	45



BOTTOM VIEW



DATE: **23.08.2016**

IMPORTANT NOTE: Throughout this guide, dimensions may vary by ±2mm (1/16"). Please read the installation manual for detailed information on installing the product. For full installation instructions & specifications visit fisherpaykel.com