

Integrated Dishwasher

Series 5 | Integrated

Panel Ready

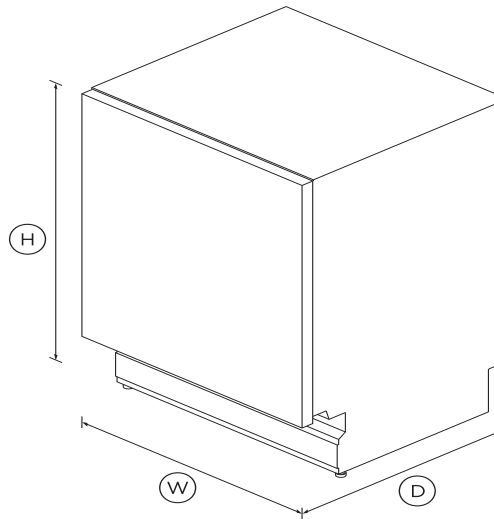


Designed to be integrated seamlessly into your surrounding cabinetry, with superior wash performance.

- Customise with your own front panel and handle to match your kitchen cabinetry
- Six wash programs to suit any load, from Delicate to Heavy
- Auto option senses the optimum wash cycle for your dishes

DIMENSIONS

Height	820 - 880mm
Width	598mm
Depth	552mm



FEATURES & BENEFITS

Seamless integration

Customise your dishwasher with a panel and handle matching your cabinetry, for a seamless finish in your kitchen.

Quiet performer

Running at a very low decibel rating, this dishwasher does its job without making a fuss. The combination of clever technology and simple mechanics means greater reliability and superior wash performance.

A quality wash

The 3 stage filtration system delivers a superior clean. Cup racks, wine glass supports and utensil tray allow safe and easy cleaning of everyday items. A rinse aid indicator reminds you to top up for squeaky-clean dishes.

Flexible wash options

This dishwasher offers 6 wash programs including Auto, which automatically senses the optimal wash cycle for your dishes.

SPECIFICATIONS

Accessories

Contemporary round handle	Part number 81645
Contemporary square fine	Part number 82099
Contemporary square handle	Part number 81794
Kickstrip	brackets for custom panel

Capacity and loading

Accommodates round plates	300mm
Adjustable height, foldable	•
Easy lift adjustable upper	•
Fold down tines	•
Place settings	15
Wine glass supports	•

Consumption

Energy rating	3.5 star
Energy usage	287kWh/year
Water rating	5 star (WELS)
Water usage (per wash cycle)	11.6L

Controls

- Child lock •
- End of cycle beeps •
- Energy saving delay start •
- Rinse aid indicator light •

- Heavy •
- Medium •
- Rinse •
- Wash programs 6

Features

- Half load option •
- Quiet operation •
- ThermoDry system •
- Three-stage filtration system •
- Variable wash pressure •

Water connection

Water pressure **0.1 Mpa - 1 Mpa**

SKU 81202

The product dimensions and specifications in this page apply to the specific product and model. Under our policy of continuous improvement, these dimensions and specifications may change at any time. You should therefore check with Fisher & Paykel's Customer Care Centre to ensure this page correctly describes the model currently available. © Fisher & Paykel Appliances Ltd 2020

Performance

Noise emissions **48dBA**

Power requirements

Amperage **10A**

Product dimensions

Depth **552mm**
 Height **820 - 880mm**
 Width **598mm**

Warranty

Parts and labour **2 years**

Wash Programs

- Auto •
- Eco •
- Fast •

Other product downloads available at fisherpaykel.com

- [↓](#) Service & Warranty
- [↓](#) User Guide
- [↓](#) Quick Start Guide
- [↓](#) Installation Guide
- [↓](#) Installation Guide
- [↓](#) Data Sheet Integrated Dishwasher



A PEACE OF MIND SALE

24 Hours 7 Days a Week Customer Support

T 1300 650 590 W www.fisherpaykel.com