

Combination Microwave Oven, 60cm

Series 9 | Contemporary

Stainless Steel

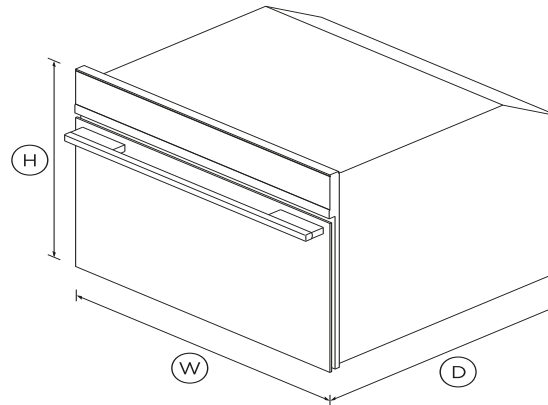


The speed of microwave cooking with the versatility of convection oven technology in a companion model, for perfect pairing.

- 37L total capacity
- 10 different auto cooking modes including Defrost , plus convection cooking or Grill
- Part of our suite of companion products, designed to match aesthetically for flexible configurations.

DIMENSIONS

Height	458 mm
Width	596 mm
Depth	562 mm



FEATURES & BENEFITS

Sized to suit

A compact 60cm width means this Microwave Oven can be placed almost anywhere - all companion products can be installed at a convenient height to suit your kitchen design and preference.

Cooking flexibility

Choice of nine cooking modes including Fan Forced and Grill, giving you the best of microwave and convection oven technology.

Easy to use

An easy-to-use, intuitive display gives you all the information you need, including a cooking guide with nine pre-selected food cooking recipes.

Complementary design

Finished in black reflective glass with a polished metal trim, this Microwave Oven is designed to match the other companion products and the rest of Fisher & Paykel's kitchen family.

Safe & sound

The CoolTouch door is safe to touch from the outside, protecting your hands and the surrounding cabinetry.

Easy cleaning

This Microwave Oven has formed side racks and a stainless steel interior that are easy to clean.

SPECIFICATIONS

Accessories

Baking pan	•
Contemporary round handle	Optional round handle
Glass turntable	•
Optional lower trim kit	Optional (part 81662)
Turntable wire stand	•
Wire shelf	•

Capacity

Shelf positions	3
Total capacity	37L
Usable capacity	33L

Cleaning

Easy clean stainless steel	•
----------------------------	---

Easy to clean formed side •

Consumption

Microwave energy **1.65kWh**

Controls

- Audio feedback •
- Automatic cooking/minute •
- Celsius/Fahrenheit •
- Electronic capacitive touch •
- High resolution touch display •
- Interior light **25W halogen**
- Intuitive information display •
- Multi-language interface •
- Precise electronic temperature •
- Recipe and food based •

Functions

- Defrost by time •
- Defrost by weight •
- Fan forced •
- Fan grill •
- Grill •
- Microwave + grill •
- Microwave + ring •
- Microwave cooking •
- Number of functions **9**
- Ring + grill •

Performance

Fan Element Power	1500W
Grill power	1500W
Microwave power	900W
Microwave power levels	6

Power requirements

Amperage	15A
Supply frequency	60Hz
Supply voltage	220VV

Product dimensions

Depth	562 mm
Height	458 mm
Width	596 mm

Safety

- Control panel key lock •
- CoolTouch door •

Warranty

Parts and labour **2 years**

SKU **81342**

TEST The product dimensions and specifications in this page apply to the specific product and model. Under our policy of continuous improvement, these dimensions and specifications may change at any time. You should therefore check with Fisher & Paykel's Customer Care Centre to ensure this page correctly describes the model currently available. ? Fisher & Paykel Appliances Ltd 2020

Other product downloads available at fisherpaykel.com

- [↓](#) Service & Warranty Booklet
- [↓](#) User Guide
- [↓](#) Installation Guide
- [↓](#) Installation Guide (Cavity Trim Kit)
- [↓](#) Resources (zip)



A PEACE OF MIND SALE

24 Hours 7 Days a Week Customer Support

T 0800 372 273 Wwww.fisherpaykel.com