

DATA SHEET

790MM ACTIVESMART™ FRIDGE

Model no:

RF521TRPX6, RF521TRZX6, RF521TRPW6, RF521TRZW6

Product Dimensions	mm
Ⓐ Overall height* of fridge	1720
Ⓑ Overall width of fridge	790
Ⓒ Depth of fridge door and gasket	70
Ⓓ Depth of fridge door and chassis	695
Ⓔ Depth of fridge chassis (does not include fridge door)	625
Ⓕ Height of feet (adjustable)	24
Ⓖ Height from bottom of chassis to bottom of bottom door	16
Ⓗ Height from bottom of chassis to top of bottom door	1213
Ⓜ Gap between doors	10
Ⓝ Height of top door	473
Ⓞ Depth of door gasket	15
Ⓛ Depth of evaporator tray behind chassis	30
Ⓢ Depth of door (open at 90°) (measured from front of door)	745
Ⓝ Rotation of door (open)	138°

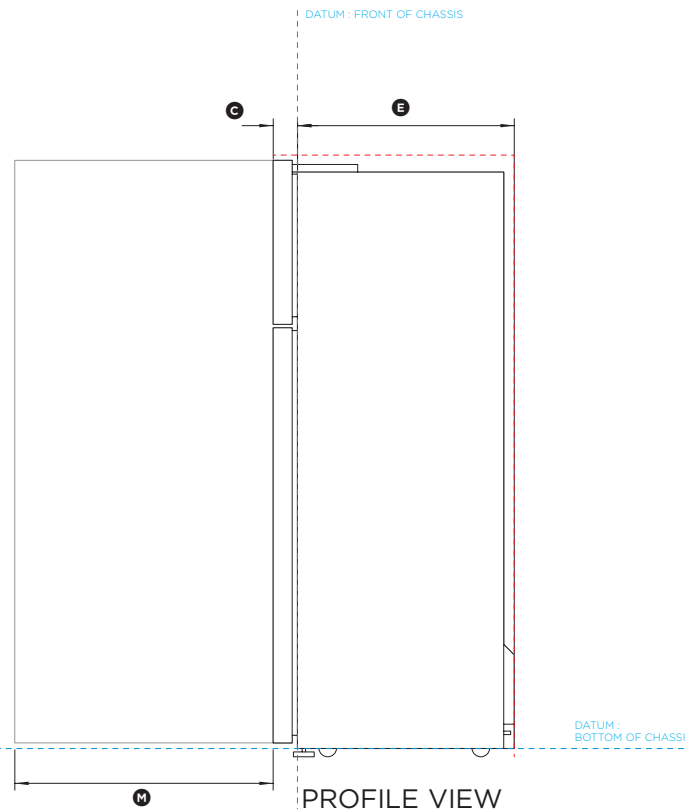
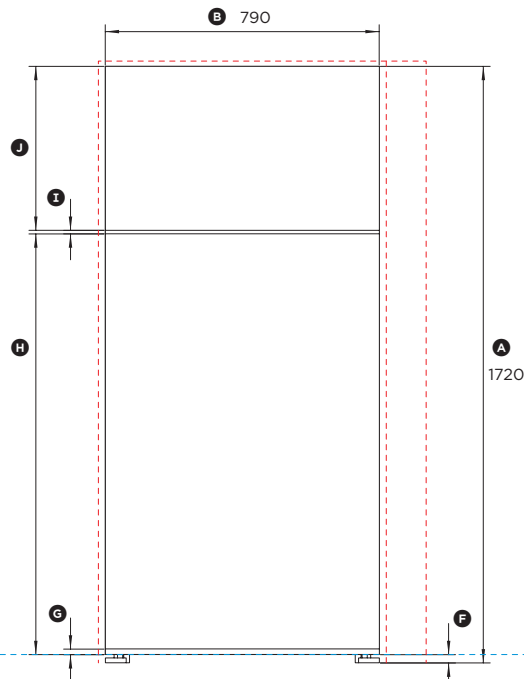
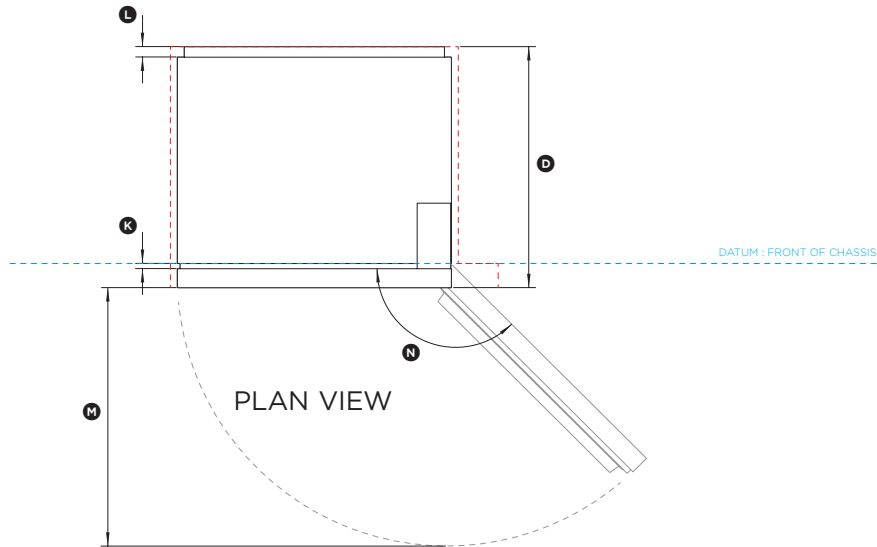
\* Includes mounted feet

Minimum Clearances	mm
Minimum height of cavity	1735
Minimum side clearance installed flush with chassis	20
Side clearance (hinge side) installed flush with door - full rotation	135
Rear clearance (including evaporator tray)	30

INDICATES PRODUCT DATUM .....  
 INDICATES CABINETRY CLEARANCES .....

DATE: 22.10.2015

IMPORTANT NOTE: Throughout this guide, dimensions may vary by ±2mm (3/32"). Please read the installation manual for detailed information on installing the product. [www.fisherpaykel.com](http://www.fisherpaykel.com)



FRONT VIEW

PROFILE VIEW