

Dual Fuel Range, 30", 5 Burners

Series 9 | Professional

Stainless Steel | LPG

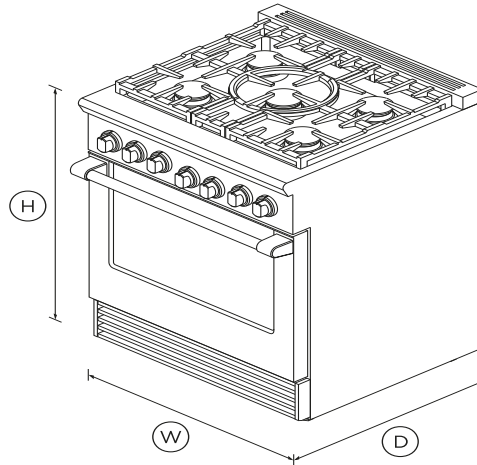


Make a statement in less space, with this powerful gas burner range and spacious convection oven.

- Top burner heat of 19,000 BTU, for seriously fast boiling
- Convection oven with 4 cu ft total capacity
- Non-tip full-extension shelves for safe removal of hot dishes

DIMENSIONS

Height	35 3/4 - 36 3/4"
Width	29 7/8"
Depth	29 1/8"



FEATURES & BENEFITS

COOKTOP POWER

Sealed Dual Flow Burners™ deliver cooktop power up to 23,500 BTU (NG models) for seriously fast boiling right down to a precise 140°F full surface simmer with the gentlest of flames.

TOTAL CONTROL

Precise control across high and low settings is delivered through the halo-illuminated cooktop dials. The ovens have true convection and electronic oven control for precise and consistent temperatures.

CONSISTENT BROILING

The Dual Fuel Range broiler provides an even heat that covers a very large surface area — perfect for browning a fully loaded oven tray.

EASY TO CLEAN

The Dual Fuel Range oven has a self-cleaning function and removable side racks. The cooktop has sealed burners and an encapsulated cooking surface with a commercial-style stainless steel finish.

INSTANT VISIBILITY

Control dials have halo-illumination glowing white – heating up; orange – temperature reached; red – self-cleaning mode. The oven is illuminated by two powerful incandescent lights.

COOKING FLEXIBILITY

The cooktop is designed for easy access to any burner with grates you can smoothly slide pots across, while the oven cavity is large enough to allow you to cook multiple dishes at once.

SPECIFICATIONS

Accessories

Square handle option	AH-R30
----------------------	--------

Burner ratings

Maximum burner power	19000 BTU
Power back left	11500BTU
Power back right	11500BTU
Power centre	19000BTU
Power front left	15000BTU
Power front right	15000BTU
Total cooktop power	72000 BTU

Capacity

Capacity total (AHAM)	4L
Shelf positions	5
Shelf positions	5

Cleaning

Pyrolytic self-clean	•
----------------------	---

Controls

Electric circuit	4 wire
Metal illuminated dials	•

Gas Requirements

Fitting and pipe	½ NPT, min. ⅝" flex line
Supply Pressure (LPG)	11" to 14" W.C

Oven features

Broil pan	•
Concealed element	•
Electronic oven control	•
Full extension telescopic	•
Internal light	•
True convection	•

Oven functions

Bake	•
Broil	•
Clean	•
Convection Broil	•
Convection bake	•
Number of functions	6

True convection	•
-----------------	---

Oven performance

Bake power	3500W
Broil	4000 BTU
Main oven - True convection	2500W

Power requirements

Amperage	30A
Rated current	30A
Supply frequency	60Hz

Product dimensions

Depth	29 1/8"
Height	35 3/4 - 36 3/4"
Width	29 7/8"

Rangetop features

Sealed Dual Flow Burners™	5
Sealed range top	•
Vent trim included	•

Recommended Back Guards Ventilation

Combustible situation	BGRV2-3030H
Minimum CFM	600
Non combustible situation	BGRV2-3030 / BGRV2-1230
Recommended hood	HCB30-6_N (Professional)

Safety

Full extension telescopic	•
---------------------------	---

SKU	71375
-----	-------

The product dimensions and specifications in this page apply to the specific product and model. Under our policy of continuous improvement, these dimensions and specifications may change at any time. You should therefore check with Fisher & Paykel's Customer Care Centre to ensure this page correctly describes the model currently available. ? Fisher & Paykel Appliances Ltd 2020

Other product downloads available at fisherpaykel.com



User Guide



Service & Warranty



Installation Guide



Data Sheet Dual Fuel Range



Planning Guide



A PEACE OF MIND SALE

24 Hours 7 Days a Week Customer Support

T 1.888.936.7872 W www.fisherpaykel.com