

# Oven, 60cm, 16 Function, Self-cleaning

Series 9 | Minimal

Black

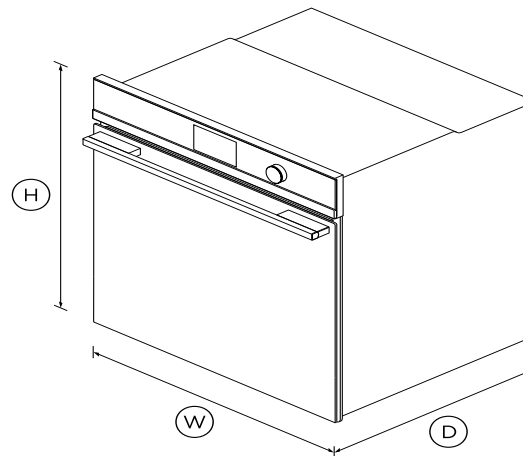


A highlight of the Fisher & Paykel collection, this Series 9 oven with touchscreen ensures that every dish is cooked to perfection.

- Touchscreen guided cooking capability offers helpful tips for different food types as well as full recipes
- 85L total capacity with 16 oven functions including Roast and Pastry Bake
- Moisture level control with ActiveVent™ technology
- Pyrolytic self-cleaning function breaks down food residue for an easy clean

## DIMENSIONS

Height	598mm
Width	596mm
Depth	565mm



## FEATURES & BENEFITS

### Cook with confidence

Our touchscreen interface provides an intuitive guided cooking experience that helps deliver perfect results, whether you've been cooking all your life or just starting out. Cook with a favourite method, a hero ingredient, or a go-to cooking function or recipe.

### Generous Capacity

With a generous 85L total capacity, you can create several perfectly cooked dishes at once using multiple shelves.

### Exceptional Performance

Our unique cooking technologies were developed to deliver perfect results. ActiveVent™ ensures optimised moisture levels, while AeroTech circulates heat evenly for a consistent temperature.

### Multi-Function Flexibility

The cooking functions have each been tailored, tested, tweaked and perfected to ensure that no matter what you're cooking, you've got the right heat to match. Purchase our Wireless Temperature Sensor accessory and precisely monitor cooking in real time (accessory sold separately).

### Self-Cleaning

Our pyrolytic self-cleaning technology breaks down food residue at a very high temperature, leaving a light ash that's easily removed with a damp cloth. The enamel-coated side racks don't need to be removed when using this function.

### Design Freedom

Available in an elegant black or a stylish black with stainless steel, this oven is designed to fit seamlessly into your kitchen. Premium materials and detailing support a cohesive, considered kitchen design.

## SPECIFICATIONS

### Accessories

Full extension sliding shelves	2 sets
Grill rack	1 set
Roasting dish	1
Smokeless grill tray	1
Step down wire shelf	1
Wired temperature sensor	1

### Accessories (sold separately)

Optional Accessory round	Part 81645
--------------------------	------------

<b>Capacity</b>		Air fry	•	<b>Product dimensions</b>	
Shelf positions	6	Bake	•	Depth	565mm
Total capacity	85L	Classic bake	•	Height	598mm
Usable capacity	72L	Dehydrate	•	Width	596mm
<b>Cleaning</b>		Fan bake	•	<hr/>	
Acid resistant graphite enamel	•	Fan forced	•	<b>Safety</b>	
Pyrolytic self-clean	•	Fan grill	•	Balanced oven door	•
Removable oven door	•	Grill	•	Catalytic venting system	•
Removable oven door inner	•	Number of functions	16	Control panel key lock	•
Removable shelf runners	•	Pastry Bake	•	CoolTouch door	•
<b>Controls</b>		Pizza bake	•	Non-tip shelves	•
Adjustable audio and display	•	Pyrolytic self-clean	•	<hr/>	
Automatic cooking/minute	•	Rapid proof	•	<b>Warranty</b>	
Automatic pre-set	•	Roast	•	Parts and labour	2 years
Celsius/Fahrenheit	•	Slow cook	•	<hr/>	
Certified Sabbath mode	•	Vent bake	•	SKU	81916
Dial with illuminated halo	•	Warm	•	<hr/>	
Electronic clock	•	<b>Performance</b>		The product dimensions and specifications in this page apply to the specific product and model. Under our policy of continuous improvement, these dimensions and specifications may change at any time. You should therefore check with Fisher & Paykel's Customer Care Centre to ensure this page correctly describes the model currently available. Fisher & Paykel Appliances Ltd 2020	
Electronic oven control	•	ActiveVent™ system	•	<b>Where applicable:</b>	
Food probe	•	AeroTech™ technology	•	All appliances use energy, and energy usage typically generates carbon emissions. <b>Fisher &amp; Paykel Appliances' In-use Energy Carbon Emissions Estimate</b> indicates carbon emissions from a product's in-use energy. This is calculated either annually or per cycle, using the product's market-specific energy label energy consumption data multiplied by the carbon emissions factor for energy in your country or region.	
Guided cooking by food type	•	Automatic rapid pre-heat	•	Our In-use Energy Carbon Emissions Estimate is designed to assist customers in making informed purchasing decisions when comparing different Fisher & Paykel products. For example, a heat pump dryer typically has a lower In-use Energy Carbon Emissions Estimate than a vented dryer.	
Intuitive touchscreen display	•	Grill power	3000W		
Multi-language display	UK English, US English,	Whisper quiet cooking	•		
Wi-Fi connectivity	•	<b>Power requirements</b>			
<b>Functions</b>		Amperage	15A		
		Supply frequency	50Hz		
		Supply voltage	220 - 240V		

---

Other product downloads available at [fisherpaykel.com](http://fisherpaykel.com)

- [↓](#) Service & Warranty
- [↓](#) User Guide
- [↓](#) Installation Guide
- [↓](#) Installation Guide Built-In Oven
- [↓](#) Specification Guide Oven
- [↓](#) Data Sheet Oven



**A PEACE OF MIND SALE**

24 Hours 7 Days a Week Customer Support

T 0800 372 273 W [www.fisherpaykel.com](http://www.fisherpaykel.com)