

Integrated French Door Refrigerator Freezer, 32", Ice & Water

Series 7 | Integrated

French hinge | Panel Ready



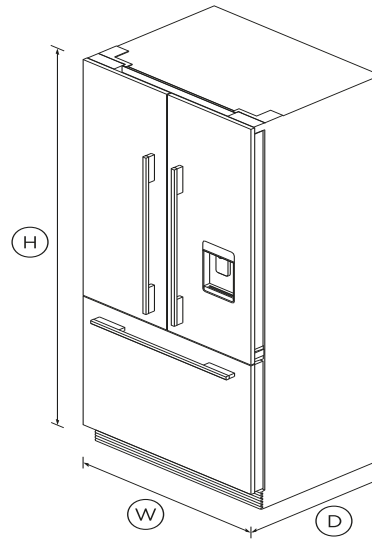
Designed to seamlessly integrate into your kitchen. With minimal gaps and no visible hinges, this model has a flush fit to suit any kitchen layout.

- ActiveSmart™ technology helps keep food fresher for longer by constantly maintaining the ideal temperature.
- With SmartTouch control panel for ease of use
- Spacious bottom freezer with full extension drawer and ice maker with boost function

- Stainless steel panels need to be purchased separately

DIMENSIONS

Height	71 1/8"
Width	31 1/8"
Depth	23 11/16"



FEATURES & BENEFITS

Perfect Fit

These models fit flush and have minimal gaps, with no visible hinges. Our Integrated refrigeration can be seamlessly hidden behind your cabinetry or you can purchase our stainless steel door panel.

ActiveSmart™ Foodcare

ActiveSmart™ Foodcare learns how you live. By understanding how you use your fridge and adjusting temperature, airflow and humidity inside, it helps keep food fresher for longer.

Flexible Storage

Designed to make it simple for you to store, sort and access food. Storage bins give you full access inside when they're pulled open and can be easily removed to clean. Our cantilevered shelving also gives you more storage options.

Water on tap

The slimline dispenser makes it easy to fill almost any sized jug or vessel with cool filtered water without taking up any storage space in your fridge.

Ice maker

Fresh ice is always available for you in a dedicated freezer bin. Simply turn it off to free up freezer space or during busy times, you can boost ice production by up to 30%.

Beautiful Lighting

LED lighting illuminates the interior with a crisp, clean glow for enhanced visibility. Our energy saving LEDs use less power than comparable halogen lights.

Easy Cleaning

Secure, spill-safe glass shelves easily capture any drips or leaks, and can be easily removed for fast and easy cleaning.

SPECIFICATIONS

Accessories

Contemporary round handle	25628
Contemporary square handle	25626
Matching Replacement Water	847200
Professional round handle kit	25629
Professional square handle kit	25630
Stainless Steel Door Panel Set	25624

Capacity

Volume freezer	4.4cu ft
Volume refrigerator	10.3cu ft

Consumption

Energy rating	Energy star
Energy usage	540kWh/year

Refrigeration Features

Adjustable glass shelves	3
Covered door shelves	2
Door alarm	•
Fruit and vegetable bins	2
LED lighting	•
SmartTouch control panel	•
Soft close doors	•
Stackable bottle holders	4
Ultra slim water dispenser	•

Freezer Features

Automatic ice maker	•
Bottle chill	•
Door alarm	•
Fast freeze	•
Ice Boost	•
LED lighting	•
Slide Out Pastry Tray	•

Performance

ActiveSmart™ Foodcare	•
Adaptive defrost	•
Adjustable door shelves	6
Frost free freezer	•
Humidity control system	•
Inverter controlled compressor	•
Sabbath mode	•

Power requirements

Rated current	10A
Supply frequency	60Hz
Supply voltage	115 - 115V

Product dimensions

Depth	23 ¹¹/₁₆"
Height	71 ¹/₈"
Width	31 ¹/₈"

Warranty

Parts and labour	2 years
------------------	----------------

SKU	25620
-----	--------------

TEST The product dimensions and specifications in this page apply to the specific product and model. Under our policy of continuous improvement, these dimensions and specifications may change at any time. You should therefore check with Fisher & Paykel's Customer Care Centre to ensure this page correctly describes the model currently available. ? Fisher & Paykel Appliances Ltd 2020

Other product downloads available at fisherpaykel.com

↓	User Guide
↓	User Guide
↓	User Guide
↓	Installation Guide
↓	Installation Guide
↓	Installation Guide
↓	Guide D'Installation

**A PEACE OF MIND SALE****24 Hours 7 Days a Week Customer Support****T 1.888.936.7872 Wwww.fisherpaykel.com**