

FISHER & PAYKEL

INDUCTION COOKTOP

CI122DTB, CI244DTB, CI304DTB
& CI365DTB models

INSTALLATION GUIDE

US CA

590964D 09.18

⚠ WARNING!



Electrical shock hazard
 Disconnect the appliance from the mains electricity supply before carrying out any work or maintenance on it.
 Connection to a good earth wiring system is essential and mandatory.
 Alterations to the domestic wiring system must only be made by a qualified electrician.
 Failure to follow this advice may result in electrical shock or death.

⚠ WARNING!



Cut Hazard
 Take care - panel edges are sharp.
 Failure to use caution could result in injury or cuts.

IMPORTANT SAFETY INSTRUCTIONS

- **Electrical installation (including electrical grounding) must be done in accordance with the National Electrical Code, ANSI/NFPA70 - latest edition and/or local codes. In Canada: Electrical installation must be in accordance with the current CSA C22.1 Canadian Electrical Codes Part 1 and/or local codes. Particular attention shall be given to the relevant requirements regarding ventilation.**
- **Read these instructions carefully before installing this product.**
- **Save these instructions for the local electrical inspector's use.**
- **Please leave these instructions with the appliance. Inform the customer to retain for future reference.**
- **Please make this information available to the person installing the appliance as it could reduce your installation costs.**
- **This appliance is to be installed and serviced only by an authorised person.**
- **Installation must comply with your local building and local electricity regulations.**
- **The manufacturer accepts no responsibility for the incorrect installation of appliances. Incorrect installation may result in personal injury, damage to property and may invalidate any warranty or liability claims.**
- **Do not modify this appliance.**
- **Do not use or store flammable materials on or near this appliance.**
- **Packing elements (eg plastic bags, polystyrene foam, staples, packing straps etc) and tools should not be left around during and after installation, especially if they are within easy reach of children, as these may cause serious injuries.**
- **Make sure you recycle the packaging material.**
- **Before disposing of any appliance, make sure that it can no longer be used and that all hazardous parts are removed or made harmless, so that children playing with the old appliance cannot harm themselves.**
- **Only genuine replacement parts may be used for servicing the appliance. These are available from your nearest Fisher & Paykel Authorized Service Center.**

IMPORTANT SAFETY INSTRUCTIONS

Before you install the appliance, please make sure that

- the countertop is made of a heat resistant material.
- the power supply cable is not accessible through cupboard doors or drawers.
- there is adequate flow of cool air from the cabinetry to the base of the cooktop. You may ventilate from adjacent cupboards, but ensure that the available air supply will not be restricted.
- the ventilation area must be at least two 2" / 50mm diameter holes or of an equivalent area.
- the isolating switch is easily accessible by the customer.
- you use heat-resistant and easy-to-clean finishes (such as ceramic tiles) for the wall surfaces surrounding the cooktop.
- the cooktop will not be installed directly above a dishwasher, fridge, freezer, washing machine or clothes dryer, as the humidity may damage the cooktop electronics.
- if the cooktop is installed above an oven, the oven has a built-in cooling fan.
- the installation will comply with all clearance requirements and applicable standards and regulations.
- you consult local building authorities and by-laws if in doubt regarding installation.
- To eliminate the risk of burns or fire by reaching over heated surface units, cabinet storage space located above the surface units should be avoided. If cabinet storage is to be provided, the risk can be reduced by installing a rangehood that projects horizontally a minimum of 5"/127mm beyond the bottom of the overhead cabinets.

When you install the appliance

- We do not recommend you flush mount or seal this appliance into the counter with silicone or glue. Doing so will make future servicing difficult. Fisher & Paykel will not be liable for any costs associated with removing or replacing a sealed-in appliance, nor for repairing any damage that may be incurred by doing this.
- Seal exposed bare edges of the cutout with an oil-based paint or moisture-proof polyurethane to prevent possible moisture creeping between the cooktop trim and the countertop.
- Take extreme care not to chip, crack, or break the top glass surfaces during installation. A heavy metal tool or part accidentally dropped on the glass could damage it.
- If, after following the instructions given, correct performance cannot be achieved, please contact your nearest Fisher & Paykel Authorised Service Centre, Customer Care, or contact us through our local website listed at the end of this document.

IMPORTANT! SAVE THESE INSTRUCTIONS

The models shown in this installation guide may not be available in all markets and are subject to change at any time. For current details about model and specification availability in your country, please go to our website www.fisherpaykel.com or contact your local Fisher & Paykel dealer.

② PARTS SUPPLIED



Clamping brackets (4)
and screws (4)



Foam tape (1)

CI122DTB only

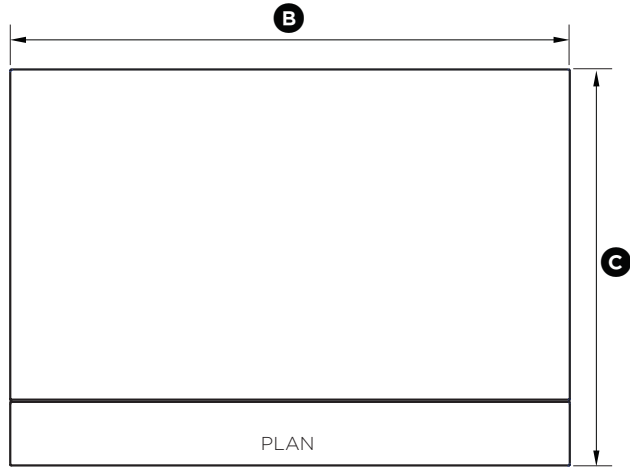
Clamping brackets (2)
and screws (2)

Installing multiple products

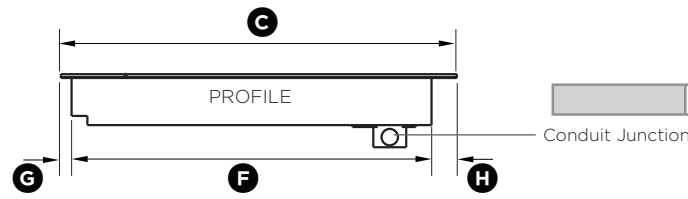
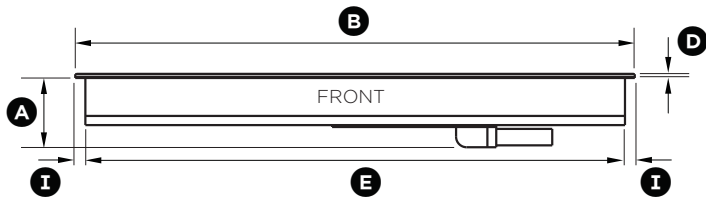
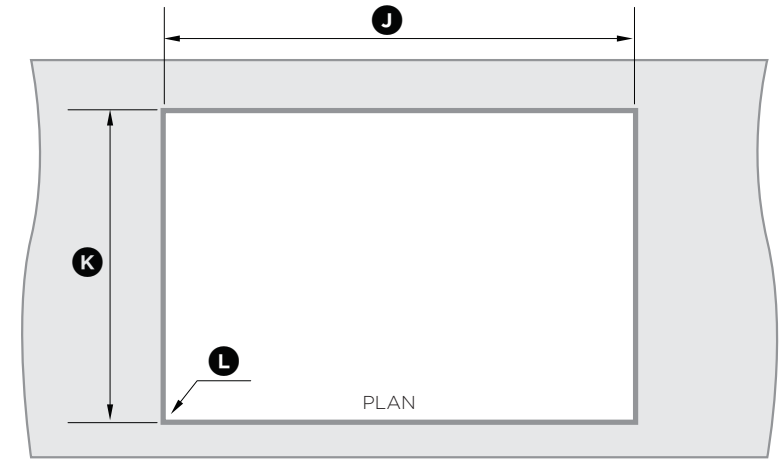


- **Note: We recommend installing products in separate cutouts with a minimum distance of 3/16" (5mm) between the glass edges.**
- **If installing multiple products adjacent to each other within the same cutout, a separate joining strip kit is required for installation.**
- **The kit is available from the nearest Fisher & Paykel Authorised Service Centre or our website www.fisherpaykel.com.**
- **If installing different products adjacent to each other (eg a wok burner next to an induction cooktop), the minimum clearance measurements for the different products may vary. Always use the greater distance.**

3 PRODUCT & CABINETRY DIMENSIONS



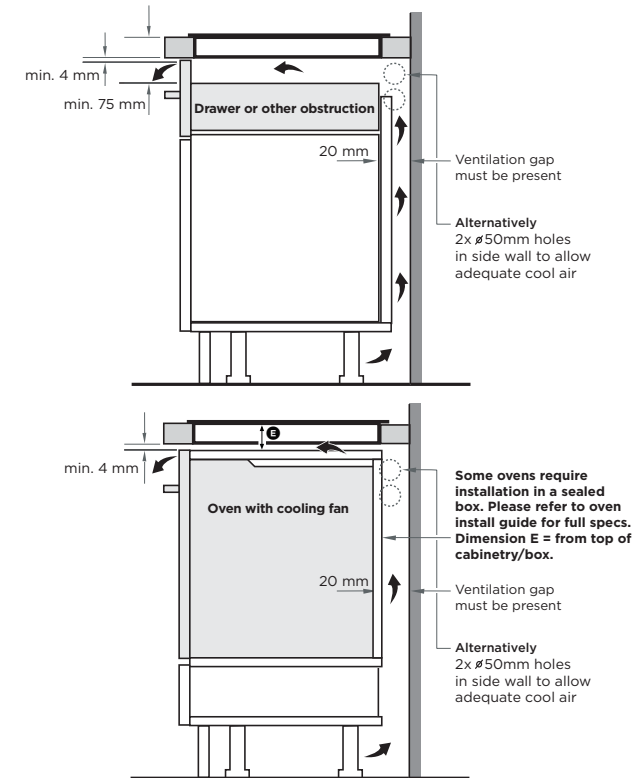
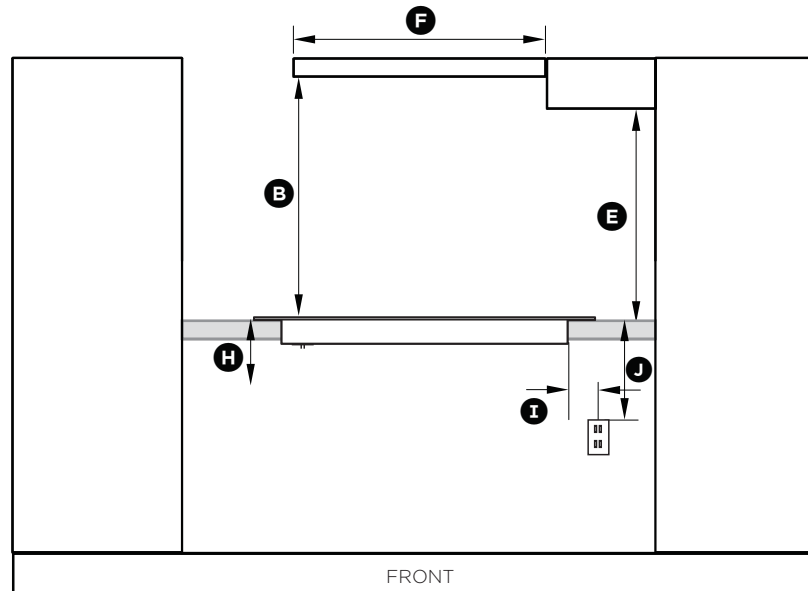
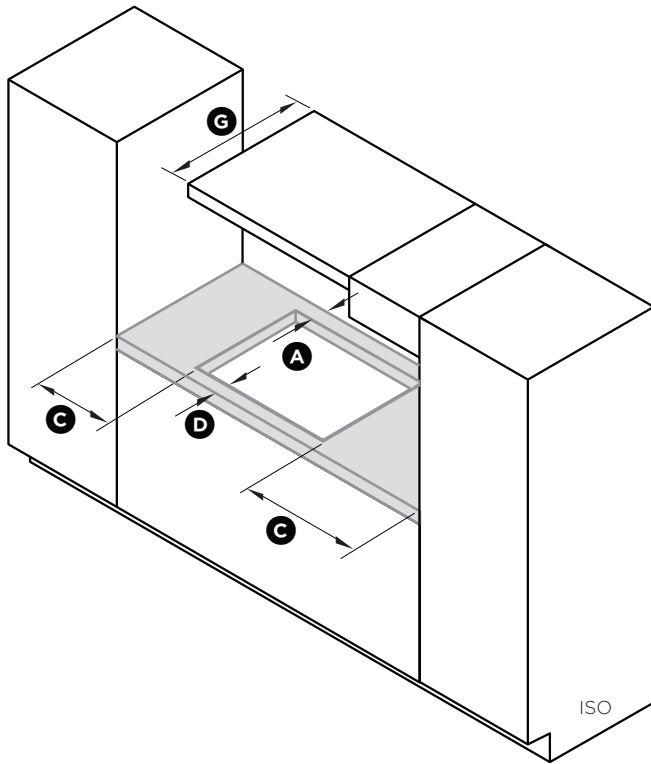
Note: Electrical connection is at the right rear



	CI122DTB	CI244DTB	CI304DTB	CI365DTB
PRODUCT AND CABINETRY DIMENSIONS	INCHES (MM)	INCHES (MM)	INCHES (MM)	INCHES (MM)
(A) Height of chassis (below top of benchtop)(incl. height of conduit junction)	2 1/2" (63)	3 11/16" (93)	3 11/16" (93)	3 11/16" (93)
(B) Overall width of cooktop	11 13/16" (300)	23 5/8" (600)	29 1/2" (750)	35 7/16" (900)
(C) Overall depth of cooktop	20 7/8" (530)	20 7/8" (530)	20 7/8" (530)	20 7/8" (530)
(D) Height from benchtop surface to top of cooktop surface	3/16" (5)	3/16" (5)	3/16" (5)	3/16" (5)
(E) Width of chassis	10 1/4" (260)	21 3/4" (552)	28 7/16" (722)	33 3/4" (858)
(F) Depth of chassis	18 7/8" (480)	18 7/8" (480)	18 7/8" (480)	19 1/16" (484)
(G) Distance from front edge of cooktop surface to front of chassis	1/2" (13)	1/2" (13)	1/2" (13)	1/2" (13)
(H) Distance from back edge of cooktop surface to back of chassis	1 7/16" (37)	1 7/16" (37)	1 7/16" (37)	1 5/16" (33)
(I) Distance from side edges of cooktop surface to chassis	3/4" (20)	15/16" (24)	9/16" (14)	13/16" (21)
(J) Overall width of cutout*	10 5/8" (270)	22 1/16" (560)	28 3/4" (730)	34 1/4" (870)
(K) Overall depth of cutout*	19 5/16" (490)	19 5/16" (490)	19 5/16" (490)	19 7/16" (494)
(L) Corner radius of cutout	max. 3/8" (10)	max. 3/8" (10)	max. 3/8" (10)	max. 3/8" (10)

* Note cutout position is not centred to the cooktop.

④ CLEARANCE DIMENSIONS



CLEARANCE DIMENSIONS	CI122DTB	CI244DTB	CI304DTB	CI365DTB
	INCHES (MM)	INCHES (MM)	INCHES (MM)	INCHES (MM)
(A) Minimum clearance from rear edge of cutout to nearest combustible surface	1 3/16" (30)	1 3/16" (30)	1 3/16" (30)	1 3/16" (30)
(B) Minimum clearance from glass surface to: - overhead cabinet centered above the cooktop (unprotected)-see notes #1, #2 - overhead cabinet centered above the cooktop (protected)-see notes #1, #2 - rangehood	30" (762) 24" (610) 25 5/8" (650)	30" (762) 24" (610) 25 5/8" (650)	30" (762) 24" (610) 25 5/8" (650)	30" (762) 24" (610) 25 5/8" (650)
(C) Minimum clearance from side edges of cutout to nearest combustible surface	1 3/16" (30)	1 3/16" (30)	1 3/16" (30)	1 3/16" (30)
(D) Minimum distance from front edge of cutout to front edge of counter	1 3/8" (35)	1 3/8" (35)	1 3/8" (35)	1 3/8" (35)
(E) Minimum clearance from countertop to overhead cabinet not directly above the cooktop	23 1/2" (450)	23 1/2" (450)	23 1/2" (450)	23 1/2" (450)
(F) Minimum distance between overhead cabinets either side of the cooktop	12 3/8" (315)	24 3/16" (615)	30 1/8" (765)	36" (915)
(G) Maximum depth of overhead cabinetry	13" (330)	13" (330)	13" (330)	13" (330)
(H) Minimum clearance below top of countertop to: - top of oven* installed below cooktop - top of drawer or other obstruction below cooktop	4 1/8" (105) 4 1/8" (105)	4 1/8" (105) 4 1/8" (105)	4 1/8" (105) 4 1/8" (105)	4 1/8" (105) 4 1/8" (105)
(I) Maximum distance from right edge of cutout to center of junction box	30" (762)	30" (762)	30" (762)	30" (762)
(J) Minimum clearance below top of countertop to junction box	9" (230)	9" (230)	9" (230)	9" (230)

* The oven installed below the cooktop MUST have a cooling fan.

⚠ WARNING!

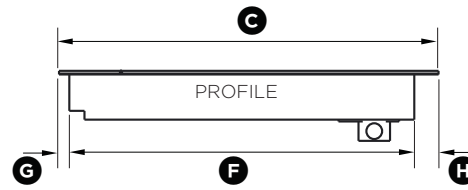
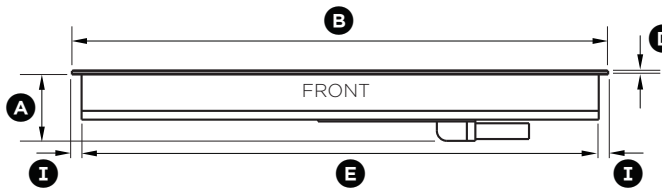
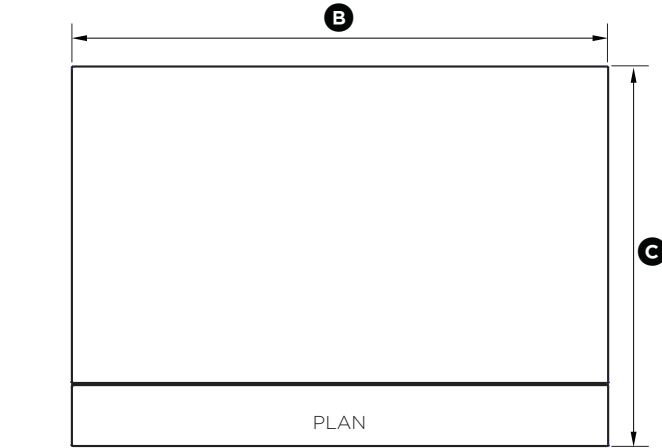
This cooktop requires adequate supply of cool air to fully function. The base of the cooktop must have direct unrestricted ventilation to the room where the cooktop is installed. There must be a 4mm air gap at the front of the cooktop (as shown on diagram above). Follow the requirements shown.

Notes:
#1 To eliminate the risk of burns or fire by reaching over heated surface units, cabinet storage space located above the surface units should be avoided. If cabinet storage is to be provided, the risk can be reduced by installing a rangehood that projects horizontally a minimum of 5" (127 mm) beyond the bottom of the cabinets.

#2 B=30" (762 mm) minimum clearance between the top of the cooking surface and the bottom of an unprotected wood or metal cabinet; or B=24" (610 mm) minimum when bottom of wood or metal cabinet is protected by not less than 1/4"-thick flame-retardant millboard covered with not less than No. 28 MSG sheet steel, 0.015"-thick stainless steel, 0.024"-thick aluminum, or 0.020"-thick copper.

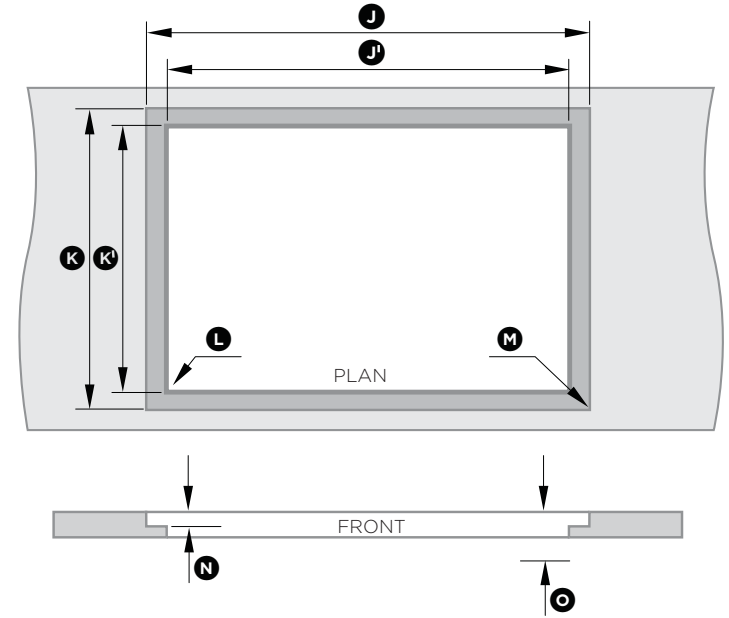
5 FLUSH MOUNTING INSTALLATION (NOT RECOMMENDED)

Note: Electrical connection is at the right rear



! WARNING!

We do not recommend flush mounting and sealing as servicing requires the cooktop to be removed from the countertop. The owner carries all risk for flush mounting the cooktop. The owner must ensure the cooktop has been cut out from the countertop before servicing can be carried out. Fisher & Paykel will not be liable for any costs associated with removing or replacing a flush-mounted and/or sealed-in product, nor for repairing any damage that may be incurred by doing this.

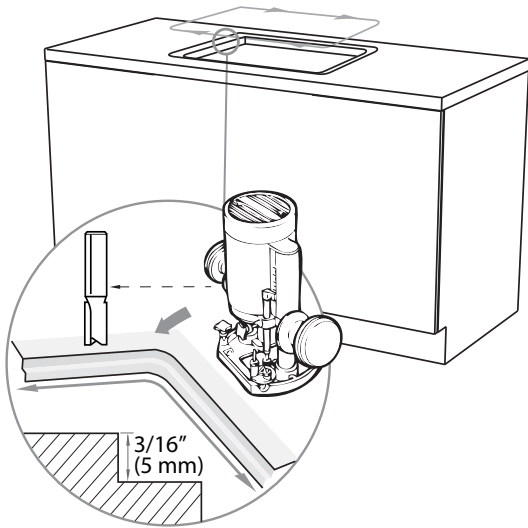


PRODUCT AND CABINETRY DIMENSIONS	CI122DTB	CI244DTB	CI304DTB	CI365DTB
	INCHES (MM)	INCHES (MM)	INCHES (MM)	INCHES (MM)
(A) Height of chassis (below top of benchtop) (incl. height of conduit junction)	2 1/2" (63)	3 11/16" (93)	3 11/16" (93)	3 11/16" (93)
(B) Overall width of cooktop	11 13/16" (300)	23 5/8" (600)	29 1/2" (750)	35 7/16" (900)
(C) Overall depth of cooktop	20 7/8" (530)	20 7/8" (530)	20 7/8" (530)	20 7/8" (530)
(D) Height from benchtop surface to top of cooktop surface	3/16" (5)	3/16" (5)	3/16" (5)	3/16" (5)
(E) Width of chassis	10 1/4" (260)	21 3/4" (552)	28 7/16" (722)	33 3/4" (858)
(F) Depth of chassis	18 7/8" (480)	18 7/8" (480)	18 7/8" (480)	19 1/16" (484)
(G) Distance from front edge of cooktop surface to front of chassis	1/2" (13)	1/2" (13)	1/2" (13)	1/2" (13)
(H) Distance from back edge of cooktop surface to back of chassis	1 7/16" (37)	1 7/16" (37)	1 7/16" (37)	1 5/16" (33)
(I) Distance from side edges of cooktop surface to chassis	3/4" (20)	15/16" (24)	9/16" (14)	13/16" (21)
(J) Overall width of routered recess	12" (305)	23 13/16" (605)	29 3/4" (755)	35 5/8" (905)
(J') Width of cutout*	10 5/8" (270)	22 1/16" (560)	28 3/4" (730)	34 1/4" (870)
(K) Overall depth of routered recess	21 1/16" (535)	21 1/16" (535)	21 1/16" (535)	21 1/16" (535)
(K') Depth of cutout*	19 5/16" (490)	19 5/16" (490)	19 5/16" (490)	19 7/16" (494)
(L) Corner radius of cutout	max. 3/8" (10)	max. 3/8" (10)	max. 3/8" (10)	max. 3/8" (10)
(M) Corner radius of routered recess	max. 1/16" (2)	max. 1/16" (2)	max. 1/16" (2)	max. 1/16" (2)
(N) Height of routered recess	3/16" (5)	3/16" (5)	3/16" (5)	3/16" (5)
(O) Minimum clearance below top of countertop to: rear top of oven* installed below cooktop or cabinetry thermal protection barrier	3 1/8" (80) 3 1/8" (80)	4 5/16" (110) 4 5/16" (110)	4 5/16" (110) 4 5/16" (110)	4 5/16" (110) 4 5/16" (110)

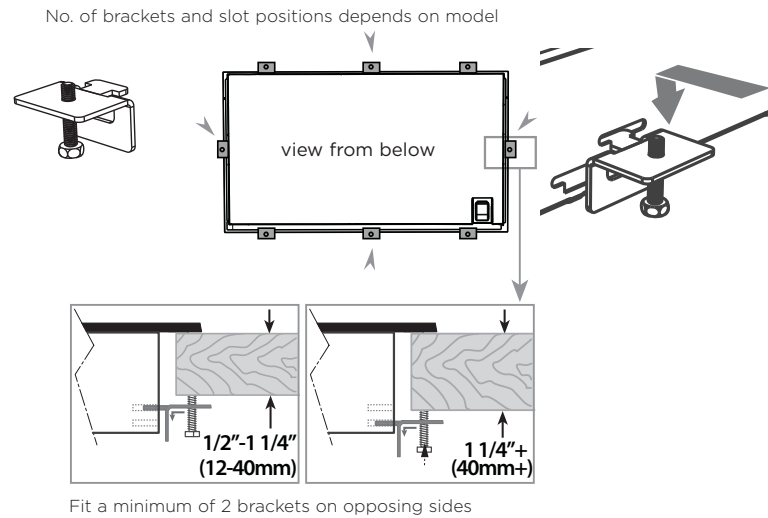
* Note cutout position is not centred to the cooktop.

5 FLUSH MOUNTING INSTALLATION (OPTIONAL)

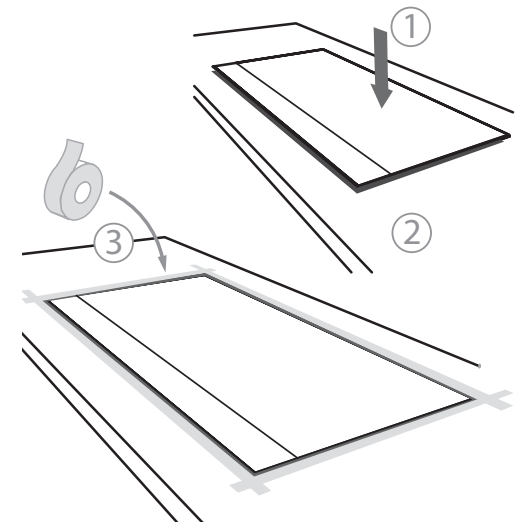
A ROUTER THE COUNTERTOP TO THE SPECIFIED DEPTH



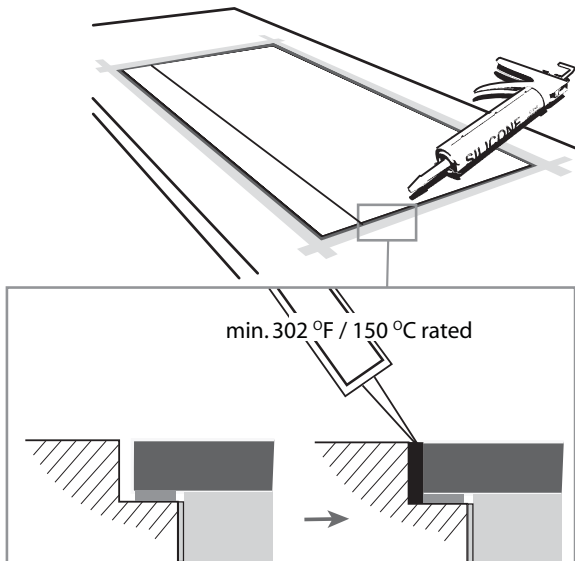
B FIT THE CLAMPING BRACKETS



C MASK OFF THE AREA TO BE SILICONED

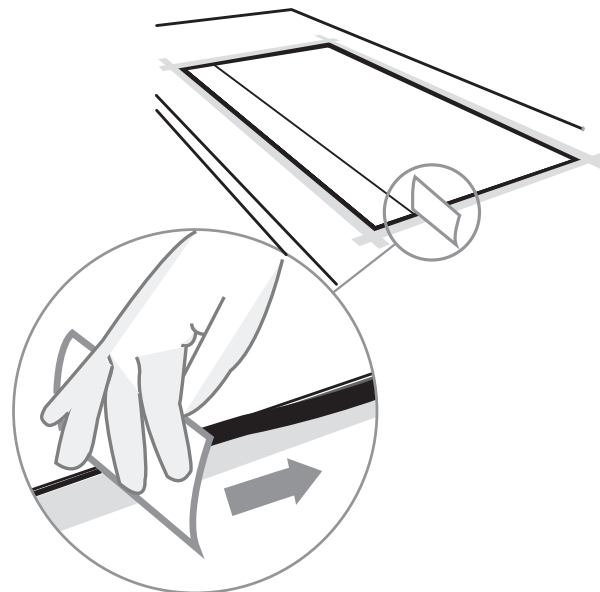


D APPLY SILICONE

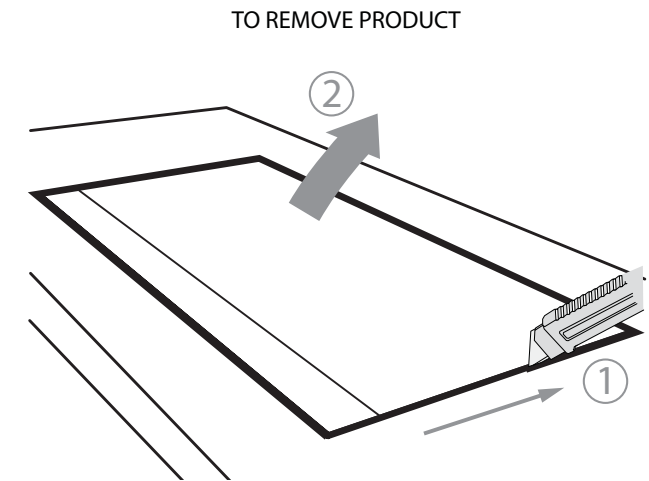


Ensure silicone does not leak underneath glass.

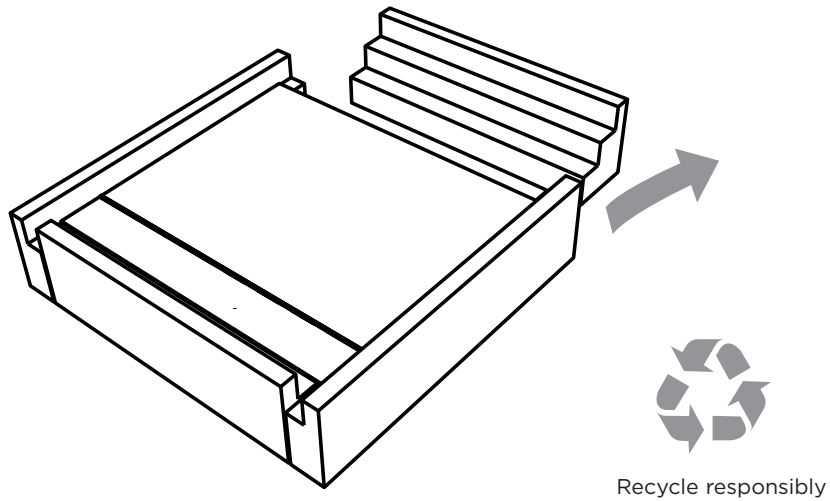
E WIPE OFF EXCESS SILICONE



F IF REMOVING PRODUCT, CUT AROUND THE SILICONE

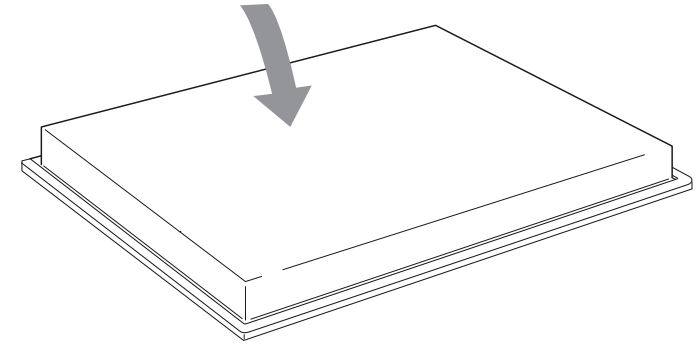


⑥ DISCARD PACKAGING

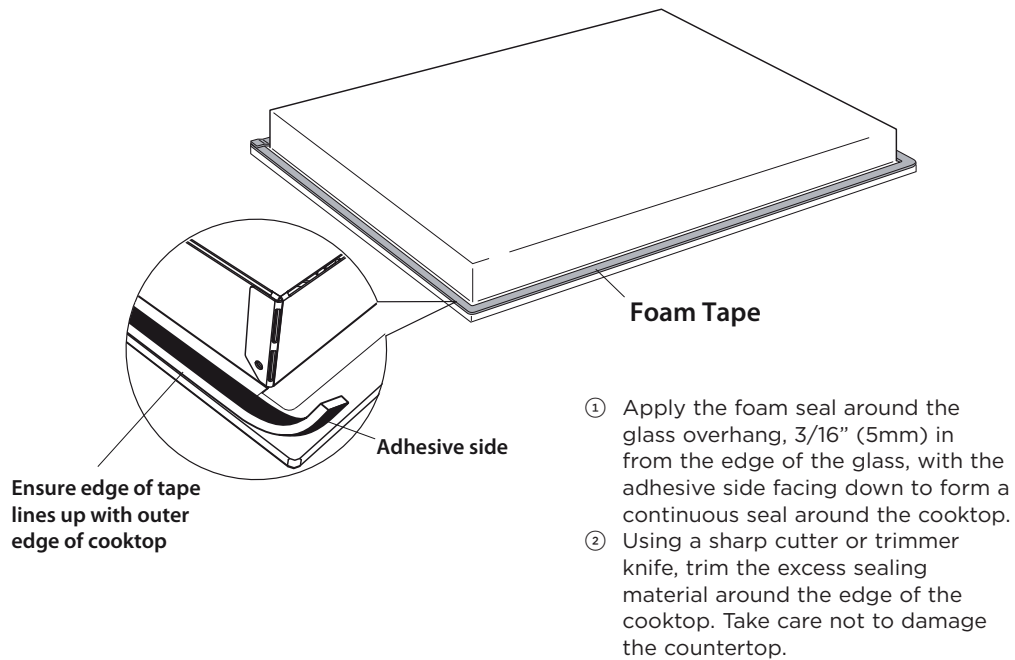


⑦ PLACE COOKTOP UPSIDE DOWN

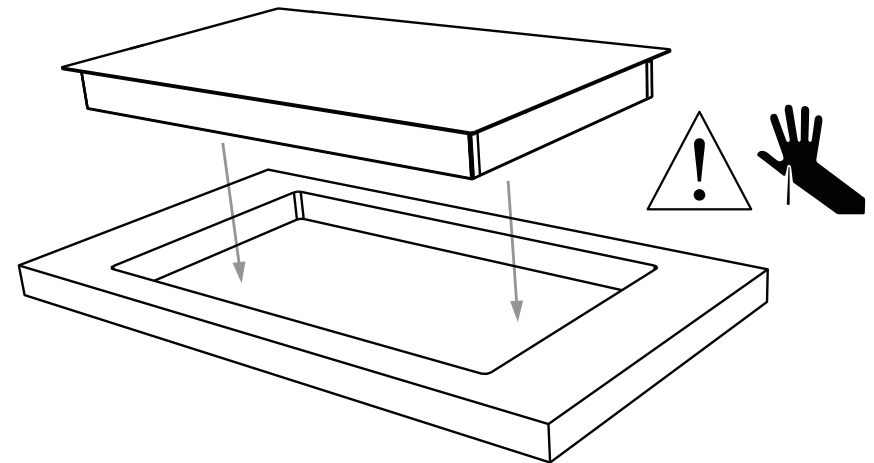
IMPORTANT! - To avoid damage to the glass, ensure there is a protective cover underneath it.



⑧ APPLY ADHESIVE FOAM TAPE AROUND GLASS EDGE



⑨ LOWER GENTLY INTO THE CUTOUT



10 CONNECTING THE COOKTOP TO THE MAINS POWER SUPPLY

IMPORTANT!

- This cooktop must be connected to the mains power supply only by a suitably qualified person.
- To connect the cooktop to the mains power supply, do not use adapters, reducers, or branching devices, as they can cause overheating and fire.
- The power supply cable must not touch any hot parts and must be positioned so that its temperature will not exceed 165 °F / 75 °C at any point.

Before connecting the cooktop to the mains power supply check that:

- The domestic wiring system is suitable for the power drawn by the cooktop.
- The voltage corresponds to the value given in the rating plate (refer Step 11 for location).
- The power supply cable sections can withstand the load specified on the rating plate.

Power supply

VOLTAGE	CI122DTB*		CI244DTB		CI304DTB		CI365DTB	
	MAX. CURRENT DRAW	MAX. LOAD	MAX. CURRENT DRAW	MAX. LOAD	MAX. CURRENT DRAW	MAX. LOAD	MAX. CURRENT DRAW	MAX. LOAD
208V	14A	3400W	26A	6400W	28A	6500W	39A	9600W
240V	16A	3840W	30A	7400W	32A	7400W	45A	11000W

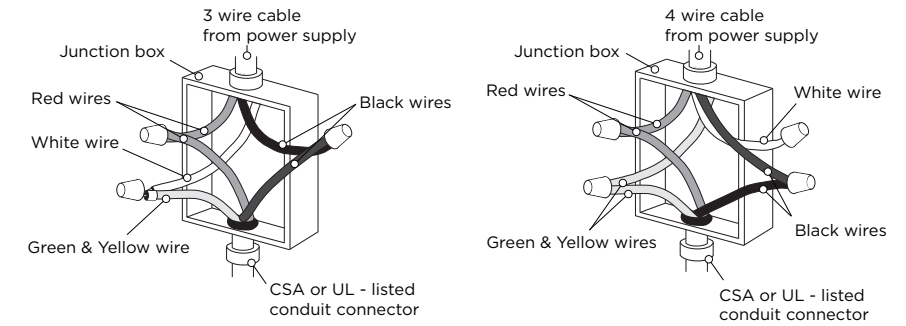
*The CI122DTB comes supplied with a cable. This must be wired into a suitably rated plug, permanent connection outlet or power isolator.

IMPORTANT!

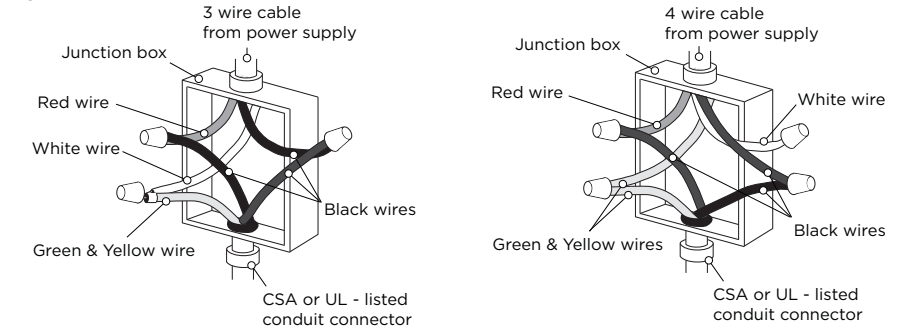
Check with an electrician whether the domestic wiring system is suitable without alterations. Any alterations must only be made by a qualified electrician.

Connection diagrams

CI244DTB, CI304DTB, CI365DTB

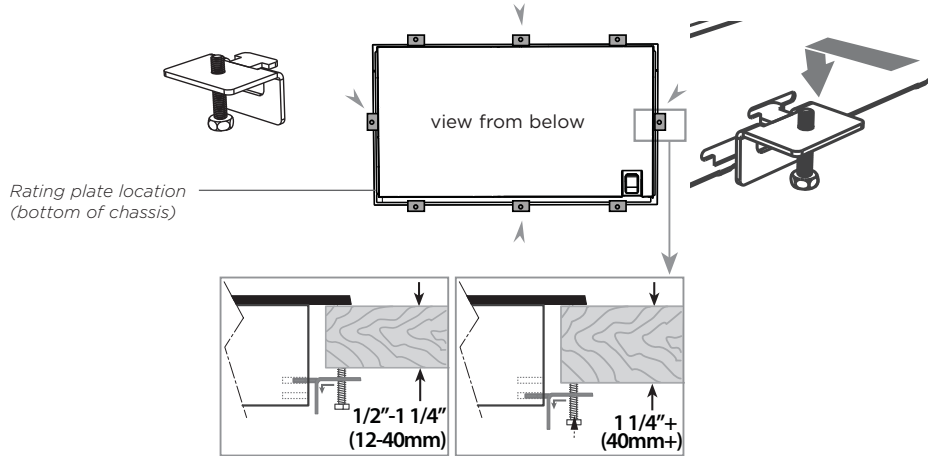


CI122DTB



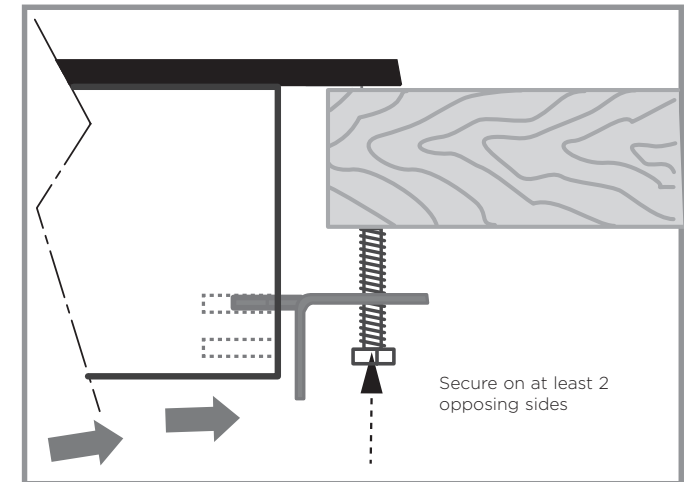
11 FIT CLAMPING BRACKETS BASED ON THE COUNTERTOP THICKNESS

No. of brackets and slot positions depends on model



Fit a minimum of 2 brackets on opposing sides

12 SECURE TO COUNTERTOP



Repeat on all the other brackets

✓ **TO BE COMPLETED BY THE INSTALLER**

- Is the cooktop earthed?
- Check that there is an adequate and constant flow of cool air from the cabinetry to the base of the cooktop.
- Check that the power supply cable is not accessible via cupboard doors or drawers and that it is NOT touching the cooktop.
- Is the cooktop clamped down securely?
- Check that the pan detection feature is working correctly. Turn on each cooking zone without putting any cookware on them. Are all the displays flashing?
- Check that all the cooking zones function correctly. Place suitable pans with water in them on each zone, then turn all of them on to a high setting. Is the water heating?
- Are all touch controls and displays functioning?
- Check that the Bridging function works (CI122DBT2 & CI244DBT2 models only). Place a pan of water in each cooking zones (or one covering both cooking zones). Touch both control panels simultaneously. Do the bridging zone indicators light up? Is the water heating?
- To check that the 'hot surface' indicators function correctly, turn off all the zones. Is H displayed in all the cooking zone displays?

- Have you demonstrated the basic operation to the customer?

Make sure you explain to the customer about

- ① the importance of taking note of the safety warnings at the beginning of the user guide, especially for persons with pacemakers or other electrical implants.
- ② the 'hot surface' indicators.
- ③ using induction suitable cookware only.
- ④ the pan detection feature.

Complete and keep for safe reference:

Model _____

Serial No. _____

Purchase Date _____

Purchaser _____

Dealer Address _____

Installer's Name _____

Installer's Signature _____

Installation Company _____

Installation Date _____

Serial Label can be found either on the side or bottom of the cooktop chassis

FISHERPAYKEL.COM

Copyright © Fisher & Paykel Appliances 2018. All rights reserved. The product specifications in this booklet apply to the specific products and models described at the date of issue. Under our policy of continuous product improvement, these specifications may change at any time. You should therefore check with your Dealer to ensure this booklet correctly describes the product currently available.

F I S H E R & P A Y K E L

SURFACE DE CUISSON À INDUCTION

Modèles CI122DTB, CI244DTB, CI304DTB
et CI365DTB

INSTALLATION GUIDE

US CA

590964D 09.18

⚠ MISE EN GARDE!



Risque de choc électrique
 Déconnectez l'appareil de l'alimentation électrique avant de procéder à tout travail d'entretien ou de maintenance sur celui-ci.
 La connexion à un système de mise à la terre convenable est essentielle et obligatoire.
 Les modifications au système de câblage domestique doivent être effectuées uniquement par un électricien qualifié.
 Le non-respect de cette consigne peut entraîner un choc électrique ou la mort.

⚠ MISE EN GARDE!



Risque de coupure
 Attention, les bords du panneau sont tranchants.
 Des blessures ou des coupures peuvent survenir si vous ne faites pas preuve de prudence.

CONSIGNES DE SÉCURITÉ IMPORTANTES

- L'installation électrique (incluant la mise à la terre électrique) doit être effectuée en conformité avec le Code national de l'électricité, ANSI/NFPA70 - dernière édition, et/ou les codes locaux. Au Canada : L'installation électrique doit être effectuée en conformité avec la norme CSA C22.1 en vigueur du Code canadien de l'électricité, Première partie, et/ou les codes locaux. Une attention particulière doit être portée aux exigences applicables à la ventilation.
- Lisez attentivement ces instructions avant d'installer ce produit.
- Conservez ces instructions pour les inspecteurs locaux électriques utilisent.
- S'il vous plaît laisser ces instructions avec l'appareil. Informer le client de conserver pour l'avenir référence.
- Remettez ces instructions à la personne qui installera l'appareil. Cela pourrait réduire vos coûts d'installation.
- Cet appareil doit être installé et réparé uniquement par un technicien autorisé.
- L'installation doit être conforme aux règlements de construction et codes d'électricité locaux.
- Le fabricant décline toute responsabilité en cas d'installation incorrecte des appareils. Une installation incorrecte pourrait causer des blessures, provoquer des dommages matériels et entraîner l'annulation de toute garantie ou réclamation.
- Ne modifiez pas cet appareil.
- Ne rangez et n'utilisez pas de matières inflammables sur cet appareil ou à proximité de celui-ci.
- Les éléments d'emballage (ex. : sacs en plastique, mousse de polystyrène, agrafes, courroies, etc.) et outils ne doivent pas être laissés à proximité pendant et après l'installation, plus particulièrement s'ils sont à la portée des enfants, car ils pourraient causer des blessures graves.
- Assurez-vous de recycler le matériau d'emballage.
- Avant de jeter un appareil, assurez-vous qu'il ne peut plus être utilisé et que toutes les parties dangereuses sont enlevées ou rendues inoffensives, de sorte que les enfants jouent avec l'ancien appareil ne peut pas se faire du mal.
- Pièces de rechange authentiques peuvent être utilisés pour l'entretien de l'appareil. Ceux-ci sont disponibles à partir de votre plus proche Fisher & Paykel centre de service autorisé.

CONSIGNES DE SÉCURITÉ IMPORTANTES

Avant d'installer l'appareil, assurez-vous que :

- le comptoir est fait d'un matériau résistant à la chaleur.
- le câble d'alimentation électrique n'est pas accessible par les portes d'armoire ou les tiroirs.
- l'air frais circule convenablement entre les armoires et la base de la surface de cuisson. La ventilation peut provenir d'armoires adjacentes, mais assurez-vous que l'alimentation en air ne soit pas compromise.
- la zone de ventilation doit comporter au moins deux ouvertures de 2" / 50 mm de diamètre ou offrir une superficie équivalente.
- le client peut accéder facilement à l'interrupteur de sectionnement.
- vous utilisez des matériaux de finition résistant à la chaleur et faciles à nettoyer (tels que des carreaux de céramique) pour recouvrir les surfaces murales entourant la surface de cuisson.
- la surface de cuisson ne sera pas installée directement au-dessus d'un lave-vaisselle, d'un réfrigérateur, d'un congélateur, d'une laveuse ou d'une sècheuse, car l'humidité pourrait endommager les circuits électroniques de la surface de cuisson.
- si la surface de cuisson est installée au-dessus d'une cuisinière, cette dernière doit être équipée d'un ventilateur de refroidissement intégré.
- l'installation sera conforme à toutes les exigences de dégagement et les normes et réglementations en vigueur.
- vous consultez les réglementations et autorités de construction locales en cas de doute pendant l'installation.
- Pour éliminer le risque de brûlures ou d'incendie en atteignant plus des unités de surface chauffées, un espace de stockage de l'armoire située au-dessus des unités de surface doit être évitée. Si une armoire de rangement doit être fourni, le risque peut être réduit en installant une hotte qui projette horizontalement un minimum de 5 «/ 127mm au-delà du fond des armoires suspendues.

Lorsque vous installez l'appareil

- Nous vous recommandons de ne pas encastrer ou sceller cet appareil dans le comptoir avec de la silicone ou de la colle, car cela rendrait les réparations futures plus difficiles. Fisher & Paykel n'assume aucune responsabilité pour les coûts liés au retrait ou à la réinstallation des appareils scellés, ni pour les réparations de tout dommage pouvant résulter de ce type d'installation.
- Scellez les rebords à découvert de l'ouverture en utilisant une peinture à base d'huile ou un polyuréthane résistant à l'humidité pour empêcher l'humidité de s'infiltrer entre le revêtement de la surface de cuisson et le comptoir.
- Prenez bien soin de ne pas ébrécher, faire craquer ou briser les surfaces en verre supérieures pendant l'installation. La chute accidentelle d'une pièce ou d'un outil métallique lourd sur le verre pourrait l'endommager.
- Si après avoir suivi les instructions, l'appareil ne permet pas d'obtenir un rendement adéquat, veuillez communiquer avec un centre de service autorisé Fisher & Paykel ou l'assistance à la clientèle, ou contactez-nous par l'entremise de notre site Web à l'adresse indiquée à la fin de ce document.

IMPORTANT! CONSERVEZ CES INSTRUCTIONS

Les modèles illustrés dans ce guide d'installation peuvent ne pas être disponibles dans tous les pays et sont sujets à modifications sans préavis. Pour les plus récentes informations sur la disponibilité des modèles et des caractéristiques dans votre pays, veuillez visiter notre site Web www.fisherpaykel.com ou contacter votre détaillant Fisher & Paykel local.

② PIÈCES FOURNIES



Supports de retenue (4)
et vis (4)



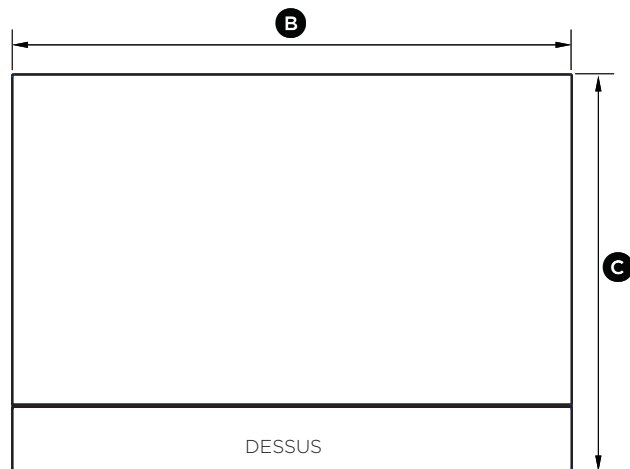
Ruban de mousse (1)

CI122DTB uniquement
Supports de retenue (2)
et vis (2)

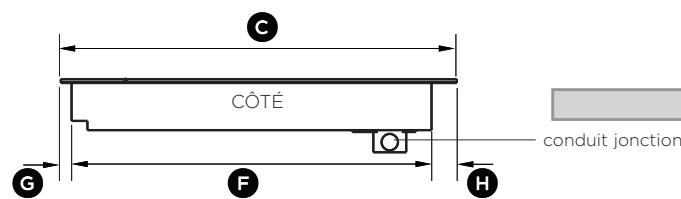
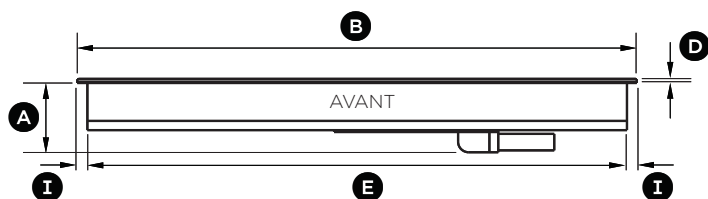
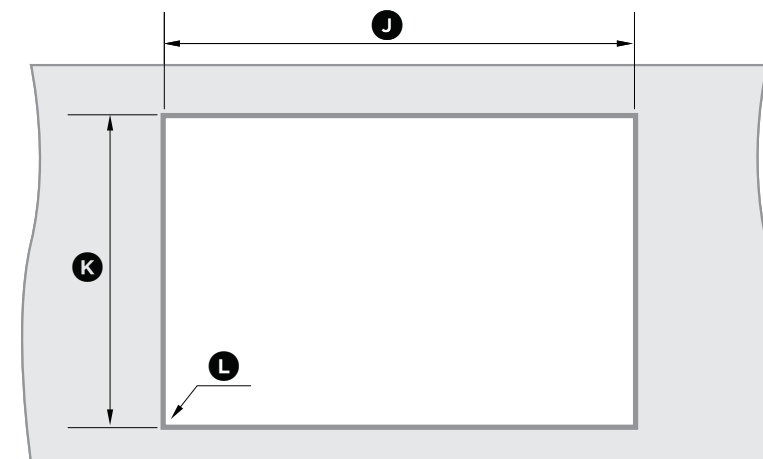
Installation de plusieurs produits



- **Remarque :** Nous vous recommandons d'installer les produits dans des ouvertures distinctes avec une distance minimale de 3/16" / 5 mm entre les rebords des surfaces en verre.
- Lors de l'installation de plusieurs produits adjacents les uns aux autres dans la même ouverture, un ensemble distinct de bande de liaison est requis pour l'installation.
- Vous pouvez vous procurer cet ensemble auprès d'un centre de service autorisé Fisher & Paykel dans votre région ou en visitant notre site Web www.fisherpaykel.com.
- Lors de l'installation de différents produits adjacents les uns aux autres (ex. : un brûleur de wok à proximité d'une surface de cuisson à induction), les mesures de dégagement minimal des différents produits peuvent varier. Utilisez toujours la distance la plus grande.



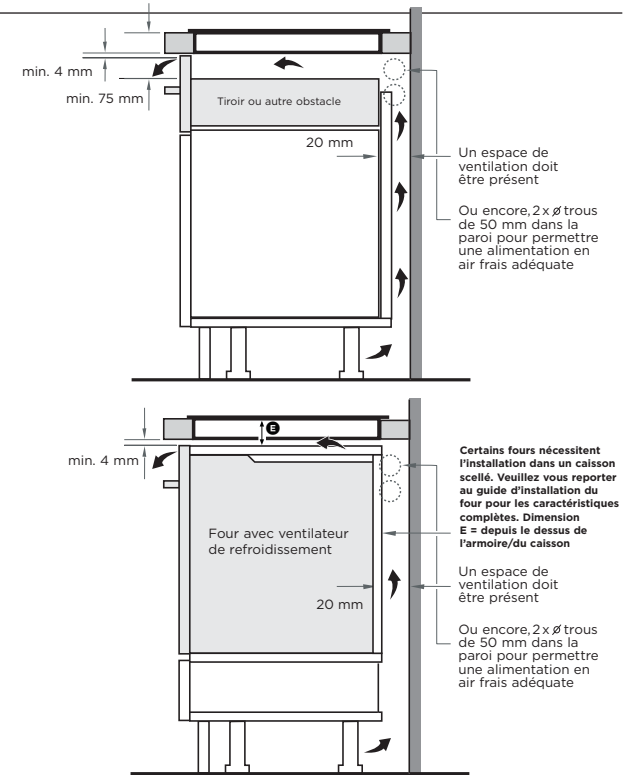
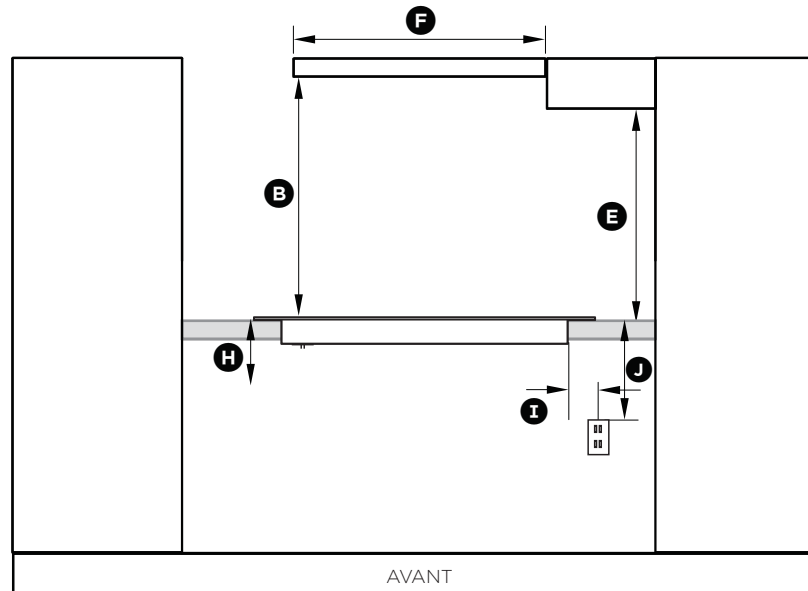
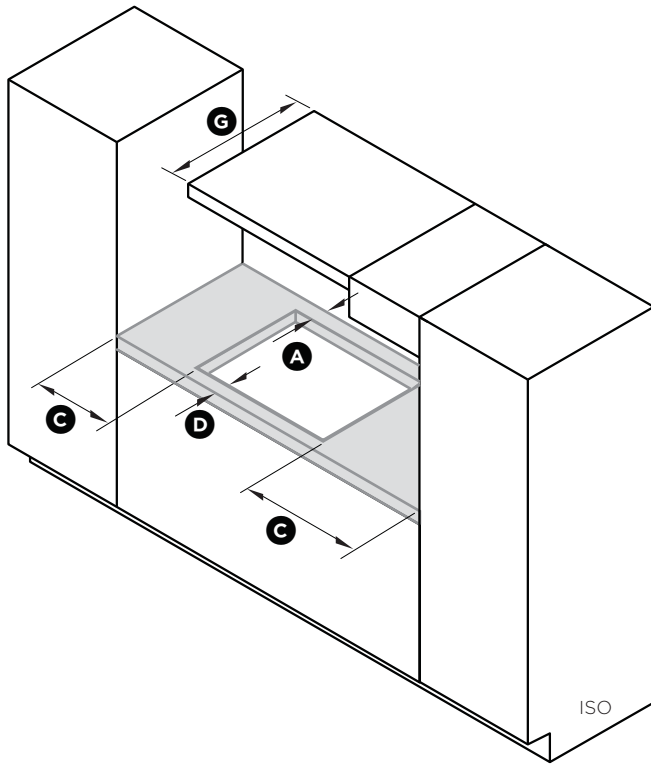
Remarque : Le raccordement électrique s'effectue à l'arrière, sur le côté droit



DIMENSIONS DU PRODUIT ET DES ARMOIRES	CI122DTB	CI244DTB	CI304DTB	CI365DTB
	POUCES (MM)	POUCES (MM)	POUCES (MM)	POUCES (MM)
(A) Hauteur du châssis (ci-dessous haut de la surface de paillasse)(incl. hauteur du conduit de jonction)	2 1/2" (63)	3 11/16" (93)	3 11/16" (93)	3 11/16" (93)
(B) Largeur hors tout du produit	11 13/16" (300)	23 5/8" (600)	29 1/2" (750)	35 7/16" (900)
(C) Profondeur hors tout du produit	20 7/8" (530)	20 7/8" (530)	20 7/8" (530)	20 7/8" (530)
(D) Hauteur de la surface de paillasse en haut de la surface de cuisson	3/16" (5)	3/16" (5)	3/16" (5)	3/16" (5)
(E) Largeur du châssis	10 1/4" (260)	21 3/4" (552)	28 7/16" (722)	33 3/4" (858)
(F) Profondeur du châssis	18 7/8" (480)	18 7/8" (480)	18 7/8" (480)	19 1/16" (484)
(G) Distance des bords avant de la plaque de cuisson au châssis	1/2" (13)	1/2" (13)	1/2" (13)	1/2" (13)
(H) Distance des bords arrière de la plaque de cuisson au châssis	1 7/16" (37)	1 7/16" (37)	1 7/16" (37)	1 5/16" (33)
(I) Distance entre les bords latéraux de la plaque de cuisson au châssis	3/4" (20)	15/16" (24)	9/16" (14)	13/16" (21)
(J) Largeur de l'ouverture*	10 5/8" (270)	22 1/16" (560)	28 3/4" (730)	34 1/4" (870)
(K) Profondeur de l'ouverture*	19 5/16" (490)	19 5/16" (490)	19 5/16" (490)	19 7/16" (494)
(L) Rayon du coin de l'ouverture	max. 3/8" (10)	max. 3/8" (10)	max. 3/8" (10)	max. 3/8" (10)

* Remarque: la position de l'ouverture est pas centrée à la surface de cuisson

④ DIMENSIONS DE DÉGAGEMENT



DIMENSIONS DE DÉGAGEMENT

	CI122DTB	CI244DTB	CI304DTB	CI365DTB
	INCHES (MM)	INCHES (MM)	INCHES (MM)	INCHES (MM)
(A) Dégagement minimal entre la paroi arrière de l'ouverture et la surface combustible la plus proche	1 3/16" (30)	1 3/16" (30)	1 3/16" (30)	1 3/16" (30)
(B) Dégagement minimal entre la surface en verre et : - les armoires suspendues centrées au-dessus de la plaque de cuisson (sans protection)*- voir les notes # 1, # 2 - les armoires suspendues centrées au-dessus de la plaque de cuisson (avec protection)*- voir les notes # 1, # 2 - rangehood	30" (762) 24" (610) 25 5/8" (650)	30" (762) 24" (610) 25 5/8" (650)	30" (762) 24" (610) 25 5/8" (650)	30" (762) 24" (610) 25 5/8" (650)
(C) Dégagement minimal entre les parois latérales de l'ouverture et la surface combustible la plus proche	1 3/16" (30)	1 3/16" (30)	1 3/16" (30)	1 3/16" (30)
(D) Distance minimale entre la paroi avant de l'ouverture et la paroi avant du comptoir	1 3/8" (35)	1 3/8" (35)	1 3/8" (35)	1 3/8" (35)
(E) dégagement minimal entre le comptoir et les armoires suspendues indirectement au-dessus de la plaque de cuisson	23 1/2" (450)	23 1/2" (450)	23 1/2" (450)	23 1/2" (450)
(F) Distance minimale entre les armoires de chaque côté de la plaque de cuisson	12 3/8" (315)	24 3/16" (615)	30 1/8" (765)	36" (915)
(G) Profondeur maximale des armoires suspendues	13" (330)	13" (330)	13" (330)	13" (330)
(H) Dégagement minimal entre le dessus du comptoir et : - le dessus du four* installé sous la plaque de cuisson - le dessus du tiroir ou d'un autre obstacle sous la plaque de cuisson	4 1/8" (105) 4 1/8" (105)	4 1/8" (105) 4 1/8" (105)	4 1/8" (105) 4 1/8" (105)	4 1/8" (105) 4 1/8" (105)
(I) Distance maximale entre la paroi droite de l'ouverture et le centre de la boîte de jonction	30" (762)	30" (762)	30" (762)	30" (762)
(J) Dégagement minimal entre le dessus du comptoir et la boîte de jonction	9" (230)	9" (230)	9" (230)	9" (230)

* Le four installé en dessous de la table de cuisson DOIT avoir un ventilateur de refroidissement.

⚠ MISE EN GARDE

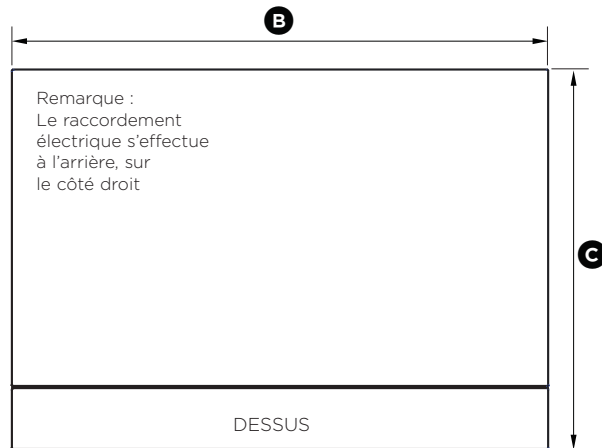
Fonctionner correctement. La base de la surface de cuisson doit disposer d'une ventilation donnant directement dans la pièce où la surface de cuisson est installée. Il doit y avoir un espacement de 4 mm à l'avant de la surface de cuisson (comme indiqué dans le schéma ci-dessus). Respectez les exigences indiquées.

Remarques:

#1 Pour réduire les risques de brûlure ou d'incendie, évitez de ranger des objets dans les armoires situées au-dessus des éléments de surface. Si toutefois vous devez ranger des objets dans ces armoires, réduisez les risques en installant une hotte dont la partie saillante horizontale dépasse la partie inférieure des armoires suspendues d'au moins 5" (127 mm).

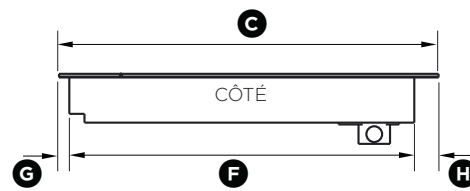
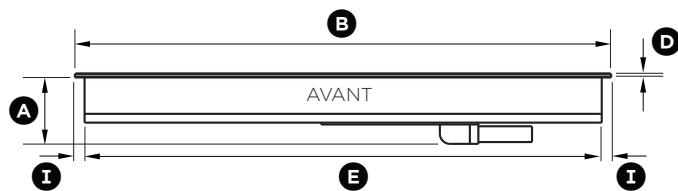
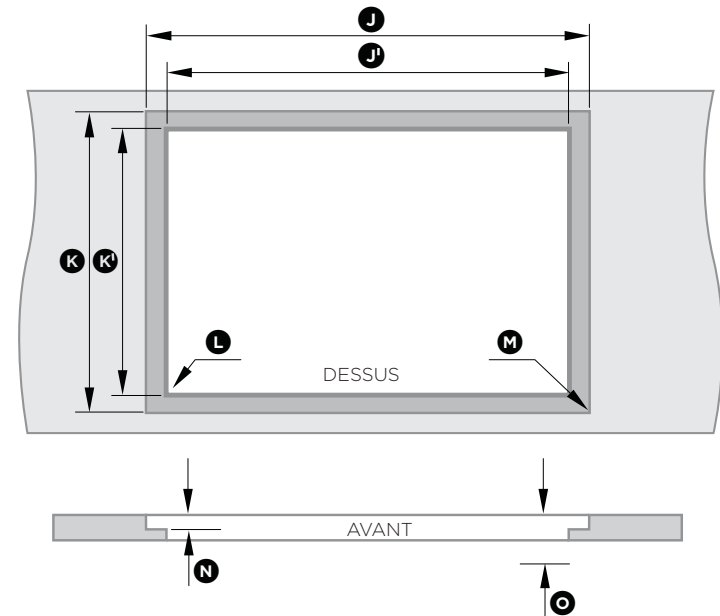
#2 Un dégagement minimal B=30" (762 mm) entre le dessus de la plaque de cuisson et le dessous d'une armoire non protégée en métal ou bois; ou un dégagement minimal de B=24" (610 mm) lorsque le dessous de l'armoire en métal ou bois est protégé par un panneau de celloderme ignifuge d'au moins 1/4" (6 mm) d'épaisseur, recouvert d'une tôle d'acier n° 28 MSG (minimum), d'acier inoxydable de 0,015" (0,4 mm), d'aluminium de 0,024" (0,6 mm) ou de cuivre de 0,020 po (0,5 mm).

5 INSTALLATION ENCASTRÉE (NON RECOMMANDÉE)



⚠ MISE EN GARDE

Nous vous recommandons de ne pas encastrer ou sceller l'appareil, car vous devez retirer la surface de cuisson du comptoir pour effectuer les réparations et entretiens. Le propriétaire doit assumer tous les risques liés à l'installation encastrée de la surface de cuisson. Le propriétaire doit retirer la surface de cuisson du comptoir avant d'effectuer un entretien ou une réparation. Fisher & Paykel n'assume aucune responsabilité pour les coûts liés au retrait ou à la réinstallation des appareils encastrés et/ou scellés, ni pour les réparations ou dommages pouvant résulter de ce type d'installation.

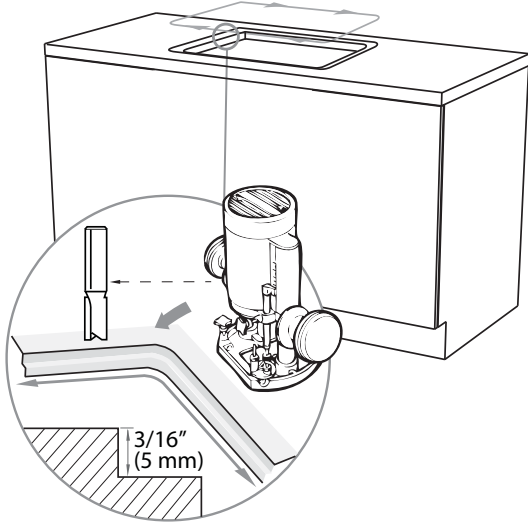


DIMENSIONS DU PRODUIT ET DES ARMOIRES	CI122DTB	CI244DTB	CI304DTB	CI365DTB
	POUCES (MM)	POUCES (MM)	POUCES (MM)	POUCES (MM)
Ⓐ Hauteur du châssis (ci-dessous haut de la surface de paillasse)(incl. hauteur du conduit de jonction)	2 1/2" (63)	3 11/16" (93)	3 11/16" (93)	3 11/16" (93)
Ⓑ Largeur hors tout du produit	11 13/16" (300)	23 5/8" (600)	29 1/2" (750)	35 7/16" (900)
Ⓒ Profondeur hors tout du produit	20 7/8" (530)	20 7/8" (530)	20 7/8" (530)	20 7/8" (530)
Ⓓ Hauteur de la surface de paillasse en haut de la surface de cuisson	3/16" (5)	3/16" (5)	3/16" (5)	3/16" (5)
Ⓔ Largeur du châssis	10 1/4" (260)	21 3/4" (552)	28 7/16" (722)	33 3/4" (858)
Ⓕ Profondeur du châssis	18 7/8" (480)	18 7/8" (480)	18 7/8" (480)	19 1/16" (484)
Ⓖ Distance des bords avant et arrière de la plaque de cuisson au châssis	1/2" (13)	1/2" (13)	1/2" (13)	1/2" (13)
Ⓗ Distance des bords arrière de la plaque de cuisson au châssis	1 7/16" (37)	1 7/16" (37)	1 7/16" (37)	1 5/16" (33)
Ⓘ Distance entre les bords latéraux de la plaque de cuisson au châssis	13/16" (20)	15/16" (24)	9/16" (14)	13/16" (21)
Ⓙ Largeur hors tout de la cavité	12" (305)	23 13/16" (605)	29 3/4" (755)	35 5/8" (905)
Ⓚ Largeur de l'ouverture*	10 5/8" (270)	22 1/16" (560)	28 3/4" (730)	34 1/4" (870)
Ⓛ Profondeur hors tout de la cavité	21 1/16" (535)	21 1/16" (535)	21 1/16" (535)	21 1/16" (535)
Ⓜ Profondeur de l'ouverture*	19 5/16" (490)	19 5/16" (490)	19 5/16" (490)	19 7/16" (494)
Ⓝ Rayon du coin de l'ouverture	max. 3/8" (10)	max. 3/8" (10)	max. 3/8" (10)	max. 3/8" (10)
Ⓞ Rayon du coin de la cavité	max. 1/16" (2)	max. 1/16" (2)	max. 1/16" (2)	max. 1/16" (2)
Ⓟ Hauteur de la cavité	3/16" (5)	3/16" (5)	3/16" (5)	3/16" (5)
Ⓠ Dégagement minimal entre le dessous du comptoir et : la partie supérieure arrière de la cuisinière* installée sous la surface de cuisson ou les armoires la barrière de protection thermique	3 1/8" (80) 3 1/8" (80)	4 5/16" (110) 4 5/16" (110)	4 5/16" (110) 4 5/16" (110)	4 5/16" (110) 4 5/16" (110)

*Remarque: la position de l'ouverture est pas centrée à la surface de cuisson

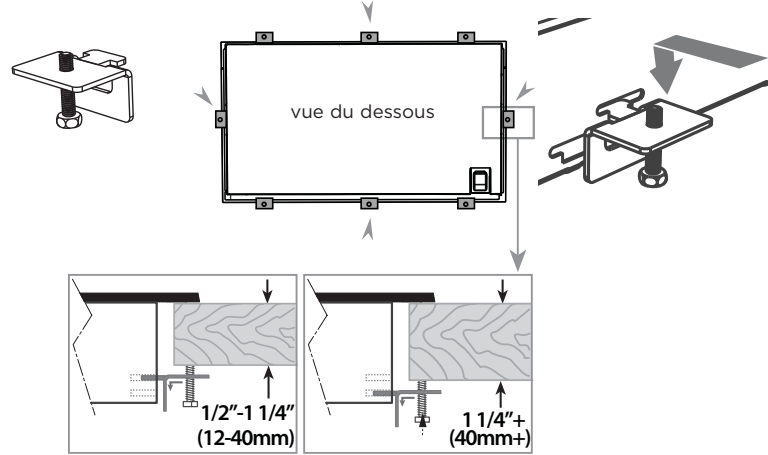
5 INSTALLATION ENCASTRÉE (OPTIONNELLE)

A TOUPILLEZ LE COMPTOIR À LA PROFONDEUR SPÉCIFIÉE



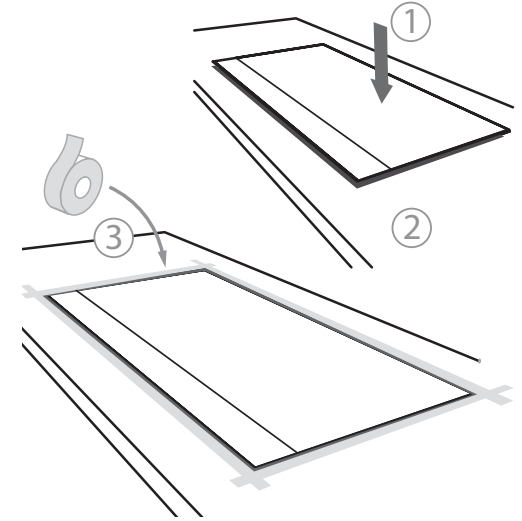
B INSTALLEZ LES SUPPORTS DE RETENUE

Le nombre de supports et les positions des fentes varient selon le modèle

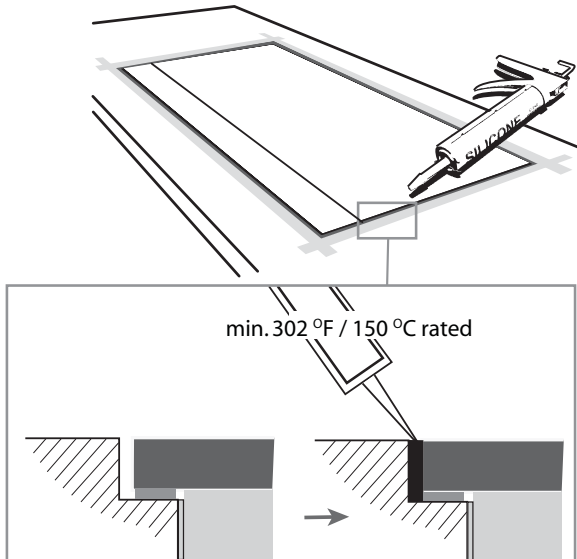


Installez un minimum de 2 supports sur les côtés opposés

C MASQUEZ LA SECTION SUR LAQUELLE LA SILICONE DOIT ÊTRE APPLIQUÉE

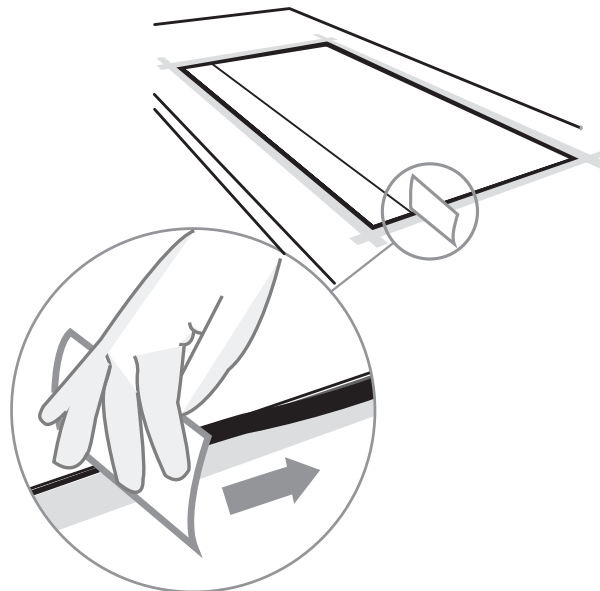


D APPLIQUEZ LA SILICONE

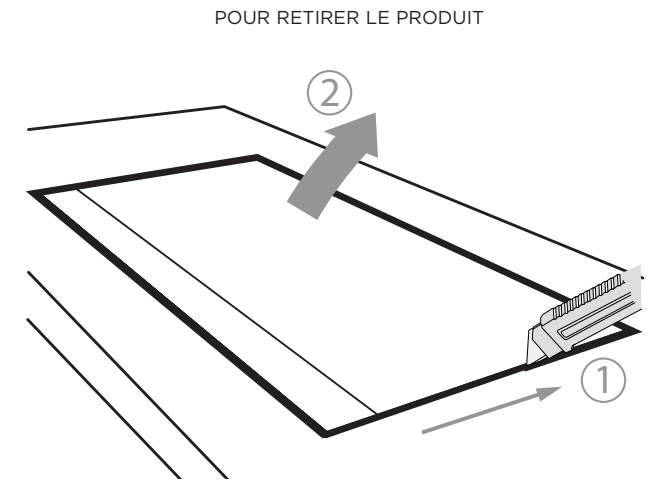


Assurez-vous qu'il n'y ait pas de fuite de silicone sous le verre.

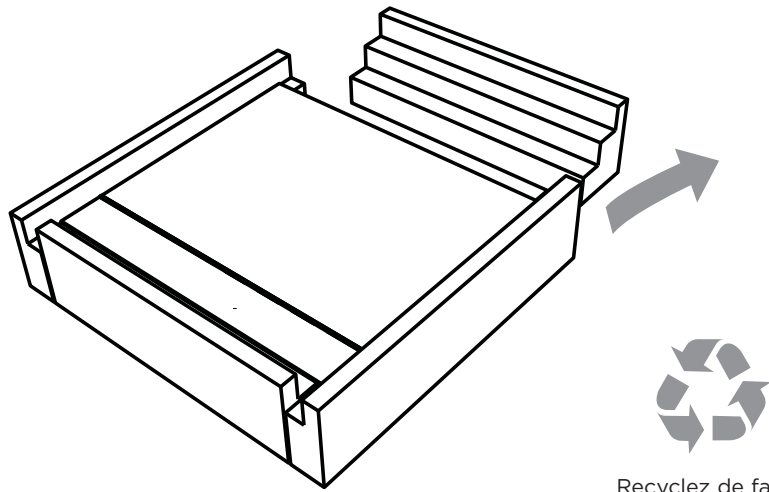
E ESSUYEZ L'EXCÉDENT DE SILICONE



F POUR RETIRER LE PRODUIT, COUPEZ AUTOUR DE LA SILICONE



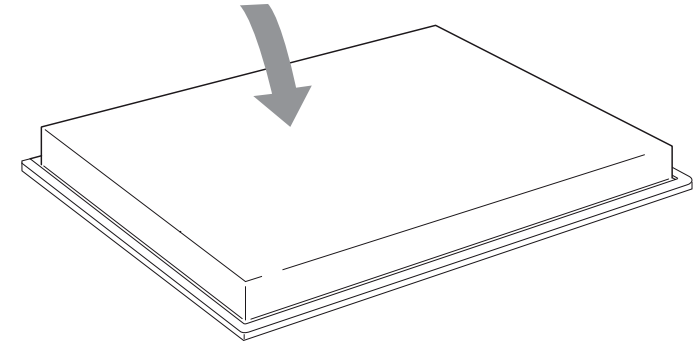
⑥ METTEZ L'EMBALLAGE AU REBUT



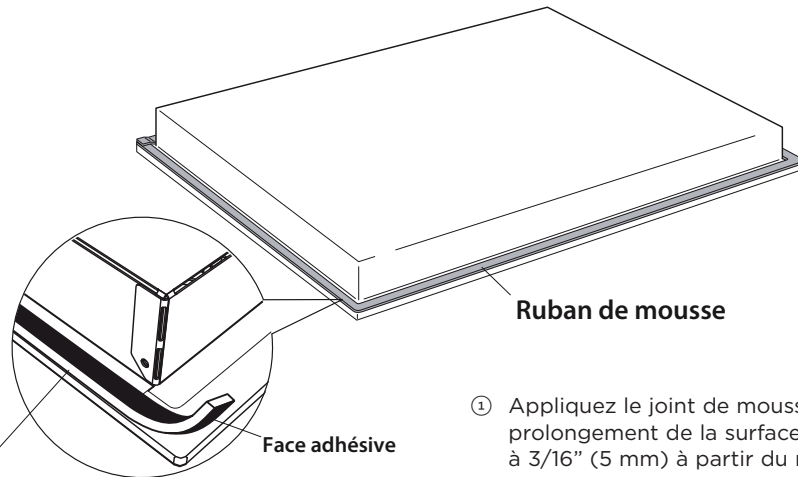
Recyclez de façon responsable

⑦ PLACEZ LA SURFACE DE CUISSON À L'ENVERS

IMPORTANT! - Pour éviter d'endommager le verre, assurez-vous de placer une couverture de protection sous celui-ci.



⑧ APPLIQUEZ LE RUBAN DE MOUSSE ADHÉSIF AUTOUR DU REBORD DE LA SURFACE EN VERRE



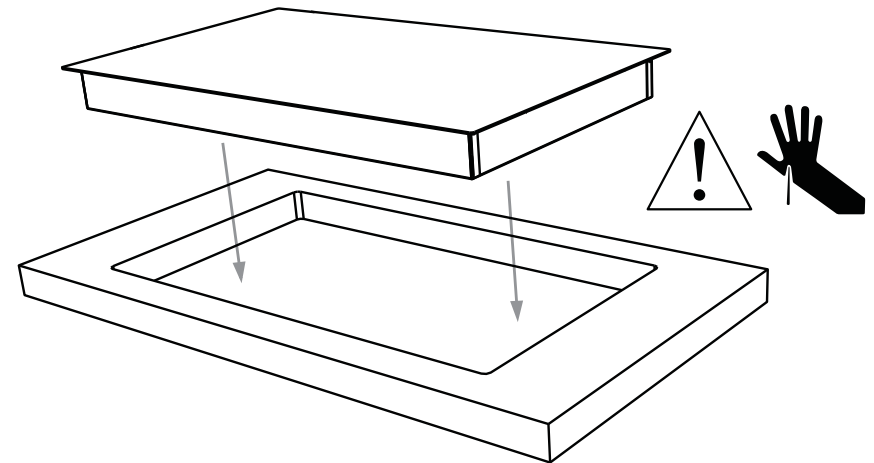
Assurez-vous d'aligner le bord du ruban avec le rebord externe de la surface de cuisson

Ruban de mousse

Face adhésive

- ① Appliquez le joint de mousse autour du prolongement de la surface en verre, à 3/16" (5 mm) à partir du rebord du verre, avec la face adhésive vers le bas afin de former un joint d'étanchéité continu autour de la surface de cuisson.
- ② Utilisez un outil de coupe tranchant ou des ciseaux pour couper l'excédent de matériel de scellement autour du rebord de la surface de cuisson. Veillez à ne pas endommager le comptoir.

⑨ DÉPOSEZ L'APPAREIL DOUCEMENT DANS L'OUVERTURE



10 RACCORDEMENT DE LA SURFACE DE CUISSON À L'ALIMENTATION ÉLECTRIQUE

IMPORTANT!

- Cette surface de cuisson doit être raccordée à l'alimentation électrique uniquement par une personne qualifiée.
- Pour raccorder la surface de cuisson à l'alimentation électrique, n'utilisez pas d'adaptateurs, de raccords réducteurs ou de dispositifs de branchement, car ils pourraient causer une surchauffe et un incendie.
- Le câble d'alimentation électrique ne doit toucher à aucune pièce brûlante et doit être positionné de manière à ce que sa température ne dépasse pas 165 °F / 75 °C à un point quelconque.

Avant de raccorder la surface de cuisson à l'alimentation électrique, vérifiez que :

- Le système de câblage domestique convient à la consommation électrique de la surface de cuisson.
- La tension correspond à la valeur indiquée sur la plaque signalétique.
- Les sections du câble d'alimentation électrique peuvent supporter la charge spécifiée sur la plaque signalétique.

Alimentation électrique

LE VOLTAGE	CI122DTB*		CI244DTB		CI304DTB		CI365DTB	
	CONSOMMATION DE COURANT MAXIMUM	CHARGE MAXIMALE	CONSOMMATION DE COURANT MAXIMUM	CHARGE MAXIMALE	CONSOMMATION DE COURANT MAXIMUM	CHARGE MAXIMALE	CONSOMMATION DE COURANT MAXIMUM	CHARGE MAXIMALE
208V	14A	3400W	26A	6400W	28A	6500W	39A	9600W
240V	16A	3840W	32A	7400W	32A	7400W	45A	11000W

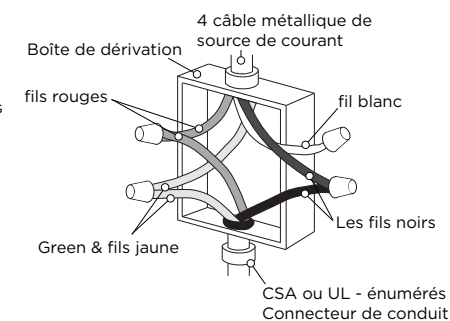
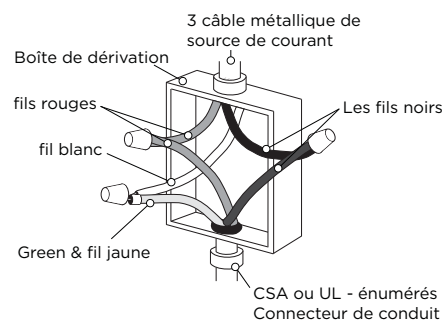
*Le modèle CI122DTB est fourni avec un câble. Ce dernier doit être câblé dans une fiche, une prise de raccordement permanente ou un sectionneur électrique convenable.

IMPORTANT!

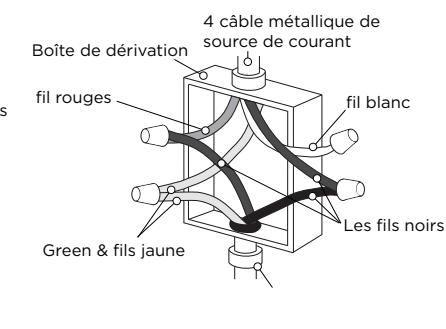
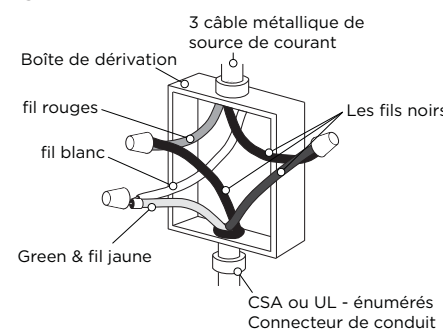
Contactez un électricien pour vérifier si le système de câblage domestique est adéquat sans modification. Les modifications doivent être effectuées uniquement par un électricien qualifié.

Schémas de raccordement

CI244DTB, CI304DTB, CI365DTB

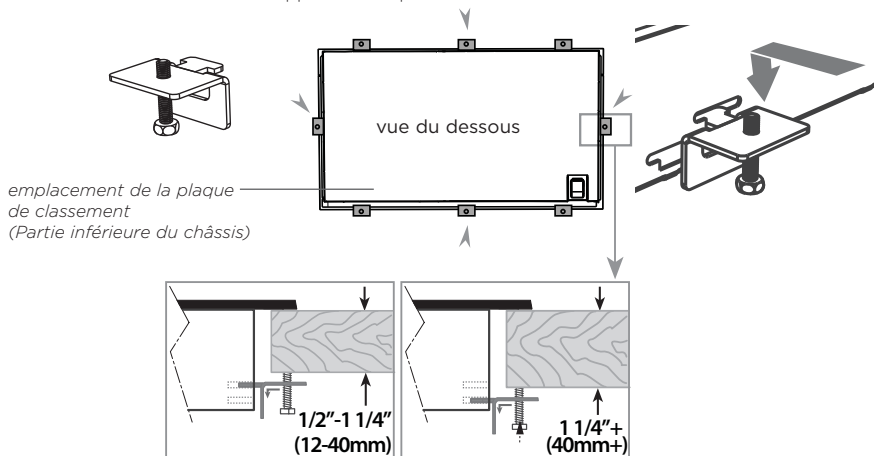


CI122DTB



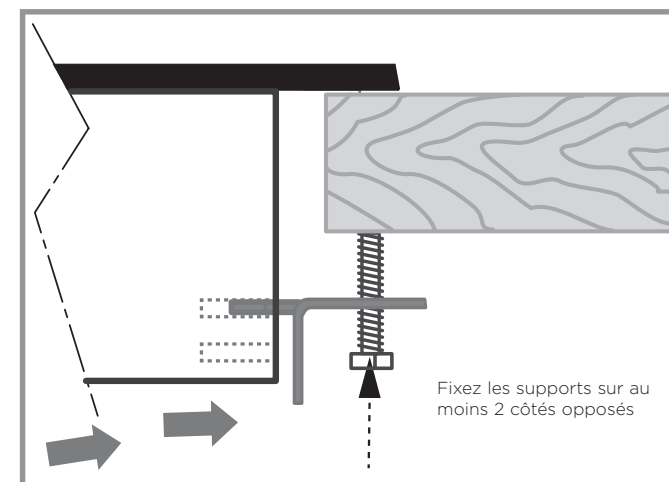
11 INSTALLEZ LES SUPPORTS DE RETENUE EN TENANT COMPTE DE L'ÉPAISSEUR DU COMPTOIR

Le nombre de supports et les positions des fentes varient selon le modèle



Installez un minimum de 2 supports sur les côtés opposés

12 FIXEZ L'APPAREIL AU COMPTOIR



Fixez les supports sur au moins 2 côtés opposés

Répétez pour tous les autres supports

13 LISTE DE VÉRIFICATION FINALE

✓ À ÊTRE REMPLIE PAR L'INSTALLATEUR

- La surface de cuisson est-elle mise à la terre?
- Assurez-vous que l'air frais circule convenablement entre les armoires et la base de la surface de cuisson.
- Vérifiez que le câble d'alimentation électrique n'est pas accessible par les portes d'armoire ou les tiroirs et qu'il ne touche PAS à la surface de cuisson.
- La surface de cuisson est-elle fixée solidement?
- Assurez-vous que la fonction de détection de casserole fonctionne correctement. Allumez chacune des zones de cuisson sans placer d'ustensiles de cuisson sur celles-ci. Tous les afficheurs clignotent-ils?
- Assurez-vous que toutes les zones de cuisson fonctionnent correctement. Placez des casseroles de taille convenable remplies d'eau sur chaque zone, puis allumez toutes les zones en sélectionnant un réglage élevé. L'eau chauffe-t-elle?
- Est-ce que toutes les commandes tactiles et les afficheurs fonctionnent?
- Vérifiez que la fonction de zone combinée fonctionne (modèles CI122DBT2 et CI244DBT2 uniquement). Placez une casserole remplie d'eau dans chaque zone de cuisson (ou une casserole recouvrant les deux zones de cuisson). Touchez aux deux panneaux de commande simultanément. Les témoins de zone combinée s'allument-ils? L'eau chauffe-t-elle?
- Pour vérifier que les témoins 'Surface brûlante' fonctionnent correctement, éteignez toutes les zones. La lettre H s'affiche-t-elle dans tous les afficheurs de zone de cuisson?

- Avez-vous expliqué le fonctionnement de base au client?

Assurez-vous de lui expliquer

- ① l'importance de respecter les mises en garde de sécurité présentées au début de ce guide d'utilisation, plus particulièrement pour les personnes possédant un stimulateur cardiaque ou tout autre implant électrique.
- ② le fonctionnement des témoins 'Surface brûlante'.
- ③ l'importance d'utiliser uniquement des ustensiles de cuisson conçus pour la cuisson par induction.
- ④ le fonctionnement de la détection de casserole.

Remplir et conserver pour référence ultérieure :

Modèle _____
N° de série _____
Date d'achat _____
Acheteur _____
Adresse du détaillant _____
Nom de l'installateur _____
Signature de l'installateur _____
Entreprise d'installation _____
Date de l'installation _____

Étiquette de série se trouvent soit sur le côté ou au-dessous du châssis de la table de cuisson

FISHERPAYKEL.COM

Droit d'auteur © Fisher & Paykel Appliances 2018. Tous droits réservés.
Les caractéristiques de produit présentées dans ce livret s'appliquent aux modèles et produits spécifiques qui y sont décrits à la date de publication. Dans le cadre de notre politique d'amélioration en permanence de nos produits, ces caractéristiques peuvent être modifiées à tout moment. Nous vous recommandons de vérifier auprès de votre détaillant que ce livret décrit le produit actuellement disponible.

