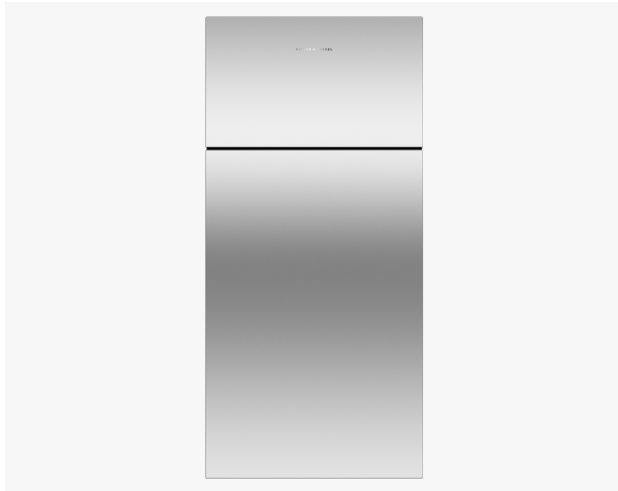


Freestanding Refrigerator Freezer, 79cm, 517L

Series 5 | Contemporary

Stainless Steel | Right Hinge

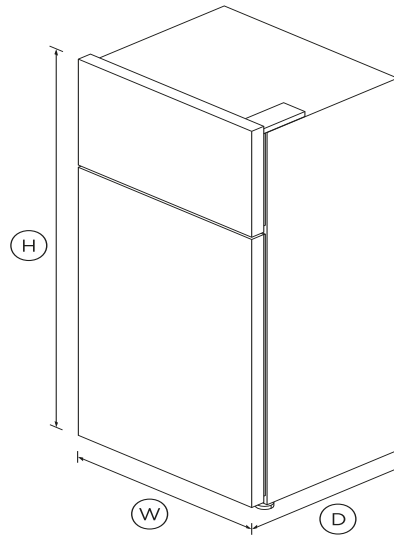


With concealed handles for a streamlined look, and ample storage for all your chilled and frozen foods.

- ActiveSmart™ technology helps keep food fresher for longer by constantly maintaining the ideal temperature
- Top freezer for access to frozen goods without bending
- Choose which side you'd like your door hinge on to suit your kitchen layout

DIMENSIONS

Height	1720mm
Width	790mm
Depth	695mm



SPECIFICATIONS

Features

Adjustable door shelves	4
Adjustable glass shelves	4
Covered door shelves	2
Door alarm	•
Front levelling feet	•
LED lighting	•
Rear rollers	•

Stackable bottle holders	2
--------------------------	---

Freezer Features

Door shelves	2
--------------	---

Performance

ActiveSmart™ Foodcare	•
Adaptive defrost	•
Frost free	•
R600a refrigerant	•

Product dimensions

Depth	695mm
Height	1720mm
Width	790mm

Warranty

Sealed system parts only	additional 3 years
--------------------------	--------------------

SKU	25433
-----	-------

The product dimensions and specifications in this page apply to the specific product and model. Under our policy of continuous improvement, these dimensions and specifications may change at any time. You should therefore check with Fisher & Paykel's Customer Care Centre to ensure this page correctly describes the model currently available. ? Fisher & Paykel Appliances Ltd 2020

Other product downloads available at fisherpaykel.com



Service & Warranty



Installation & User Guide



Data Sheet Freestanding Refrigerator Freezer



A PEACE OF MIND SALE

24 Hours 7 Days a Week Customer Support

T 1300 650 590 **W**www.fisherpaykel.com