

# Freestanding Quad Door Refrigerator Freezer , 90.5cm, 538L, Ice & Water

Series 7 | Contemporary

Stainless Steel | French hinge



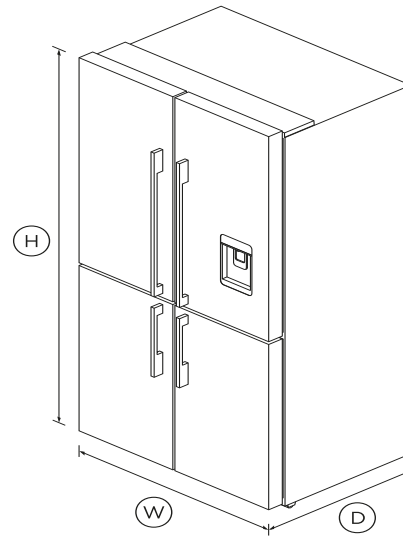
Featuring three separate compartments, including an independent Variable Temperature Zone, for unbelievably flexible storage.

- ActiveSmart™ technology helps keep food fresher for longer by constantly maintaining the ideal temperature.
- Variable Temperature Zone lets you change a compartment to Fridge, Chill, Soft Freeze or Freezer for optimal storage
- Spacious bottom freezer with easy-slide internal drawers to separate storage

- Door water dispenser and internal ice maker

## DIMENSIONS

Height	1790mm
Width	905mm
Depth	688mm



## FEATURES & BENEFITS

### VARIABLE TEMPERATURE ZONE

When it comes to optimal food preservation, one temperature does not fit all. Variable Temperature Zones give you full control over the way you care for food. At the touch of a button, easily convert the lower right compartment to Freezer, Soft Freeze, Chill or Fridge mode, to best suit different types of food. Adjust zones for maximum every day convenience, or change modes to

provide additional chilling capacity for special occasions.

### CHILL MODE

Keep ready-to-eat food fresher for longer with Chill Mode (-1.5 to 0°C). Chill Mode is a perfect solution for everyday life. It keeps meats, poultry and fish as cool as possible, retaining vital freshness and helps food retain its condition for around three times longer than Fridge Mode. It's also great for entertaining. Set a zone to Chill Mode to quickly bring beverages down to serving temperature.

### SOFT FREEZE MODE

Soft freeze (-10 to -6°C) is perfect for food that will be consumed soon – but not right away. Set a zone to Soft Freeze Mode and enjoy optimal food storage and everyday convenience. Soft frozen food requires only a quick thaw rather than a full defrost. It is the ideal setting for easy portioning, such as cut loaves of bread, soups and even cured meats, or for serving straight from the compartment.

### ACTIVESMART™ FOODCARE

ActiveSmart™ Foodcare learns how you live. It is technology which understands how you use your fridge and adjusts temperature, airflow and humidity inside to help keep food fresher for longer.

### BEAUTY OF CHOICE

With the choice of stylish stainless steel or elegant black, you can choose the finish that complements your kitchen design best.

### DESIGN QUALITY

Our refrigerators are designed and built using robust, quality materials, with stainless steel exteriors and solid glass for the interior shelving.

### ICE MAKER

Fresh ice is always available for you in a dedicated freezer bin. Simply turn it off when you need to free up freezer space, or during busy times, use the boost feature to increase ice production.

## SPECIFICATIONS

---

<b>Accessories</b>	
Replacement water filter	<b>847200</b>

---

<b>Capacity</b>	
Volume	<b>538L</b>
Volume freezer	<b>98L</b>
Volume refrigerator	<b>341L</b>
Volume variable temperature	<b>99L</b>

---

<b>Consumption</b>	
Energy rating	<b>3.5 star</b>
Energy usage	<b>460kWh/year</b>

---

<b>Features</b>	
Adjustable door shelves	<b>6</b>
Adjustable glass cantilevered	•
Adjustable glass shelves	<b>4</b>
Cantilevered glass shelves	<b>4</b>
Covered door shelves	<b>2</b>
Door alarm	•
Front levelling feet	•
Fruit and vegetable bins	<b>2</b>
Full extension runners	•
Gallon door shelves	<b>2</b>
LED lighting	•
Rear rollers	•
SmartTouch control panel	•
Stackable bottle holders	<b>4</b>
Ultra slim water dispenser	•

Water Filter **Part number 847200**

---

<b>Freezer Features</b>	
Automatic ice maker	•
Bottle chill	•
Door alarm	•
Fast freeze	•
Full extension clear bins	<b>3</b>
Ice Boost	•
Ice bin and scoop	•
LED lighting	•

---

<b>Performance</b>	
ActiveSmart™ Foodcare	•
Frost free	•
Humidity control system	•
Internal replaceable water filter	•
Inverter controlled compressor	•
R600a refrigerant	•
Sabbath mode	•
Variable temperature	•
Variable temperature zones	<b>2</b>

---

<b>Power requirements</b>	
Rated current	<b>1.8A</b>
Supply voltage	<b>220 - 240V</b>

---

<b>Product dimensions</b>	
Depth	<b>688mm</b>
Height	<b>1790mm</b>

Height to top of cabinet	<b>1775mm</b>
Height to top of door	<b>1790mm</b>
Width	<b>905mm</b>

---

<b>Warranty</b>	
Parts and labour	<b>2 years</b>
Sealed system parts only	<b>5 years</b>
SKU	<b>26092</b>

---

The product dimensions and specifications in this page apply to the specific product and model. Under our policy of continuous improvement, these dimensions and specifications may change at any time. You should therefore check with Fisher & Paykel's Customer Care Centre to ensure this page correctly describes the model currently available. ? Fisher & Paykel Appliances Ltd 2020

---

Other product downloads available at [fisherpaykel.com](http://fisherpaykel.com)



User Guide



Service & Warranty



Installation Guide



Install Guide - Water Filter Replacement



Data Sheet Freestanding Quad Door Fridge Freezer



**A PEACE OF MIND SALE**

24 Hours 7 Days a Week Customer Support

T 1300 650 590 **W**[www.fisherpaykel.com](http://www.fisherpaykel.com)