

FISHER & PAYKEL

BUILT IN OVEN

OB60 models

INSTALLATION GUIDE

NZ AU GB IE

591785B / 1105822-BO 05.19

⚠ WARNING!



Electrical shock hazard
Always disconnect the appliance from the mains power supply before carrying out any maintenance or repairs.
Connection to a good earth wiring system is essential and mandatory.
Alterations to the domestic wiring system must only be made by a qualified electrician.
Failure to follow this advice may result in electrical shock or death.

⚠ WARNING!



Cut Hazard
Take care — panel edges are sharp.
Failure to use caution could result in injury or cuts.

⚠ WARNING!



Fire hazard
Do not use adapters, reducers, or branching devices to connect this appliance to the mains power supply.
Failure to follow this advice may result in overheating, burning, or fire.

IMPORTANT SAFETY INSTRUCTIONS

To avoid hazard, follow these instructions carefully before installing or using this appliance:

- Make this information available to the person installing the appliance - doing so could reduce your installation costs.
- This appliance must be installed and connected to the mains power supply only by a suitably qualified person according to these installation instructions and in compliance with any applicable local building and electricity regulations. Failure to install the appliance correctly could invalidate any warranty or liability claims.
- If the power supply cable is damaged, it must be replaced by the manufacturer, its service agent or similarly qualified person in order to avoid a hazard.
- The appliance must not be installed behind a decorative door in order to avoid overheating.

IMPORTANT!

SAVE THESE INSTRUCTIONS

The models shown in this installation guide may not be available in all markets and are subject to change at any time. For current details about model and specification availability in your country, go to our website fisherpaykel.com or contact your local Fisher & Paykel dealer.

② PRIOR TO INSTALLATION

IMPORTANT!

Some environmental factors and cooking habits can cause condensation in and around the oven during use. To protect surrounding cabinetry from possible damage caused by frequent or excessive condensation, we recommend moisture-proofing the oven cavity.

Before you install the oven, make sure:

- the benchtop and oven cavity are square and level, and are the required dimensions.
- the installation will comply with all clearance requirements and applicable standards and regulations.
- a suitable isolating switch providing full disconnection from the mains power supply (under overvoltage category III conditions) is incorporated in the permanent wiring, mounted and positioned to comply with the local wiring rules and regulations. The isolating switch must be of an approved type and provide a 3 mm air gap contact separation in all poles (or in all active [phase] conductors if the local wiring rules allow for this variation of the requirements).
- the isolating switch will be easily accessible to the customer with the oven installed.
- there is at least 1.5 m (and not more than 2 m) free length of power supply cable within the cavity for ease of installation and servicing.
- the oven connection socket (if fitted) is outside the cavity if the oven is flush to the rear wall.
- the oven will rest on a surface that can support its weight
- the height from the floor suits the customer.
- you consult local building authorities and by-laws if in doubt regarding installation.

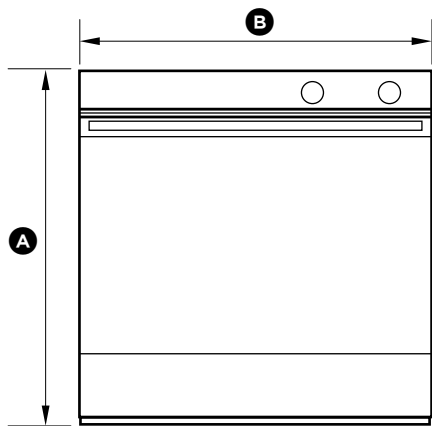
③ DURING INSTALLATION

IMPORTANT!

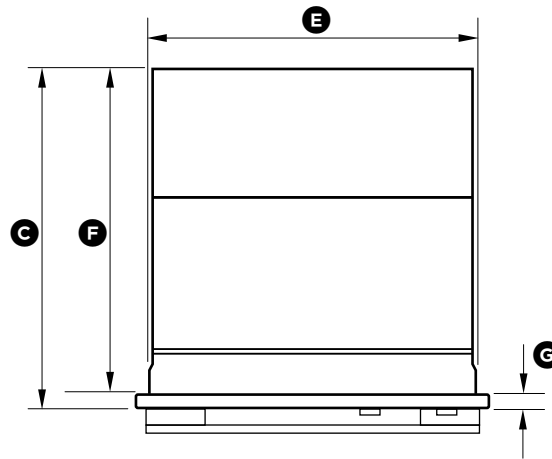
Take extra care not to damage the lower trim of the oven during installation. The trim is important for correct air circulation and allows the door to open and close without obstruction. The manufacturer does not accept any responsibility for damage resulting from incorrect installation.

- Do not seal the oven into the cabinetry with silicone or glue. This makes future servicing difficult. Fisher & Paykel will not cover the costs of removing the oven, or of damage caused by this removal.
- Use the supplied screws to secure the oven to the cabinetry. Do not over-tighten the screws.
- Make sure that the power supply cable will not touch any hot metal parts.
- Make sure that the isolating switch will be easily accessible by the customer.
- Do not stand on the door, or place heavy objects on it.
- Do not lift the oven by the door handle.
- Use easy-to-clean finishes for the wall surfaces surrounding the oven, so that cooking fume staining resulting from using the oven is easy to remove.

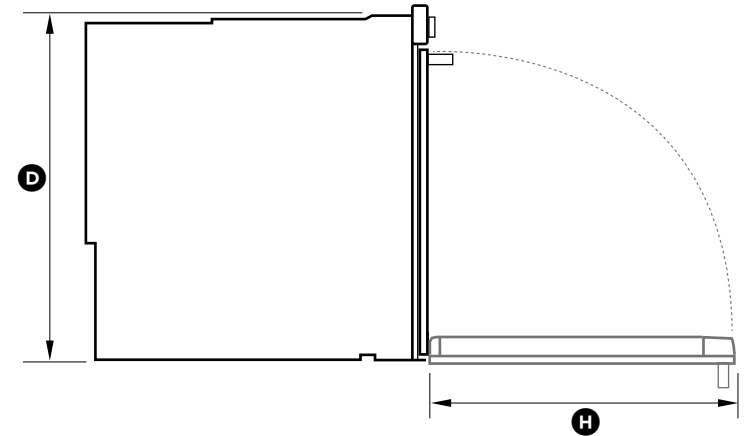
④ PRODUCT DIMENSIONS (OB60S, OB60N MODELS)



FRONT



TOP



SIDE

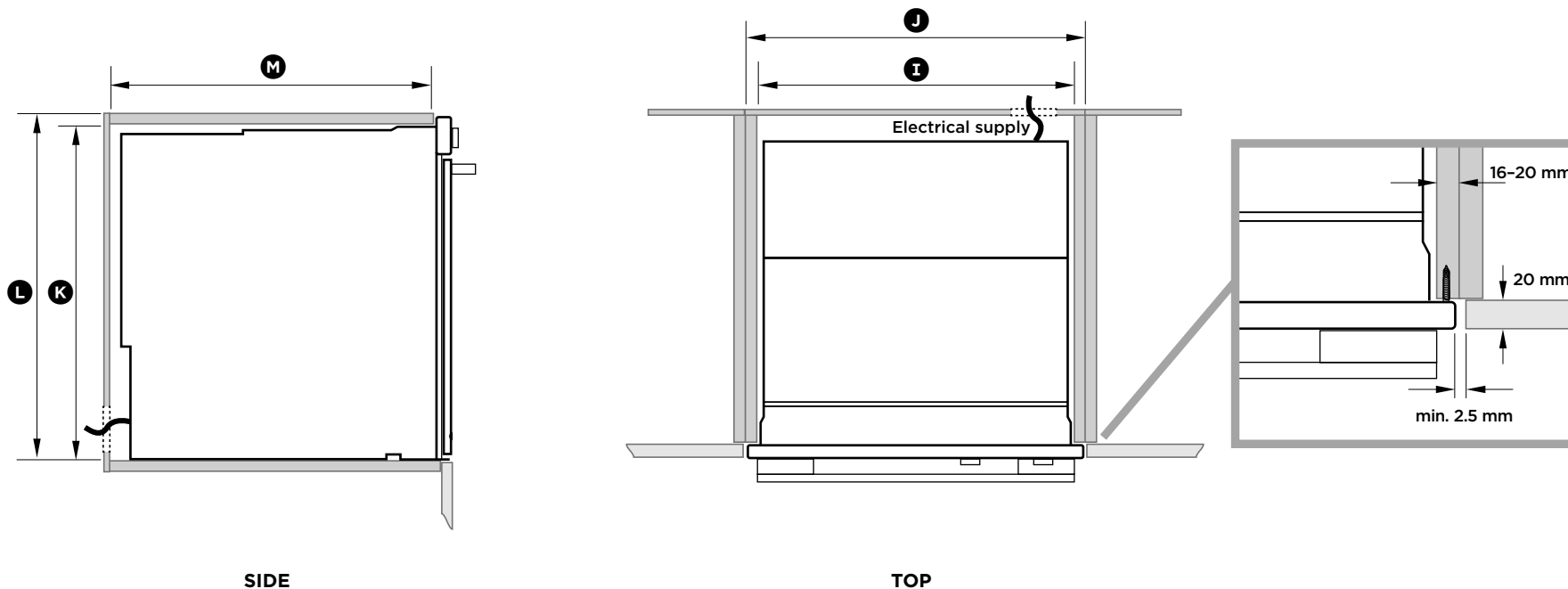
PRODUCT DIMENSIONS	OB60S MODELS	OB60N MODELS
	(MM)	(MM)
Ⓐ Overall height* of product	597	450**
Ⓑ Overall width of product	595	595
Ⓒ Overall depth of product (excluding handle and knobs)	565	554
Ⓓ Height of chassis	582	436
Ⓔ Width of chassis	556	536
Ⓕ Depth of chassis	545	534
Ⓖ Depth of oven frame and control panel (distance between front of chassis and front of oven door, excluding knobs)	20	20
Ⓗ Depth of oven door when fully open (measured from front of control panel)	435	289

Note: If installing a cooktop above the oven, ensure adequate clearance is provided for the cooktop as per the cooktop manufacturer's instructions.

*All height measurements include mounted feet.

** If fitting the lower trim extension kit, the overall height of product (A) increases by 25 mm (to 475 mm). See also comment on the next page about L and K measures.

5 CABINERY DIMENSIONS (OB60S, OB60N MODELS)



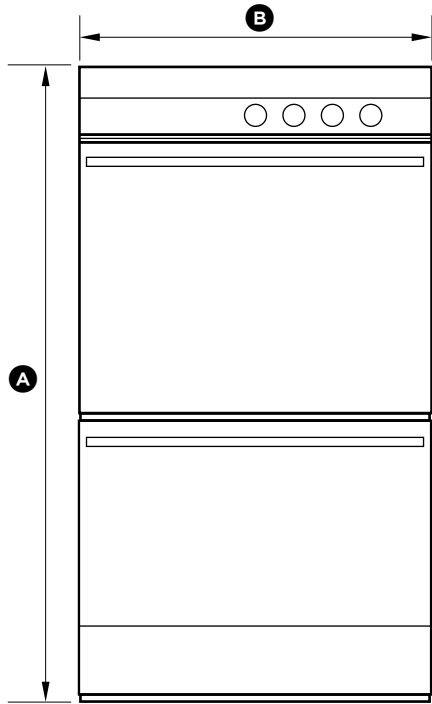
CABINERY DIMENSIONS	OB60S MODELS	OB60N MODELS
	(MM)	(MM)
Ⓜ Minimum inside width of cavity	560	560
Ⓜ Overall width of cavity	600	600
Ⓚ Inside height of cavity	585	440*
Ⓛ Overall height of cavity	600	455*
Ⓜ Minimum inside depth of cavity	550	550
Flush fitting cabinetry clearance	20	20

Note: If installing a cooktop above the oven, ensure adequate clearance is provided for the cooktop as per the cooktop manufacturer's instructions.

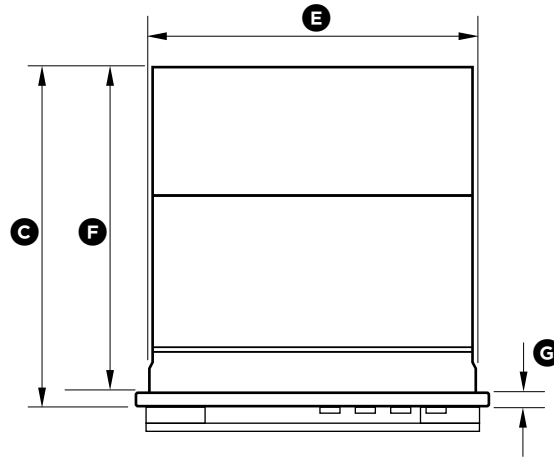
* If fitting the lower trim extension kit, the overall height of product (A) increases by 25 mm (to 475 mm).

The height of the cavity (L and K) therefore needs to be increased by 25 mm also (to 465 mm and 480 mm respectively).

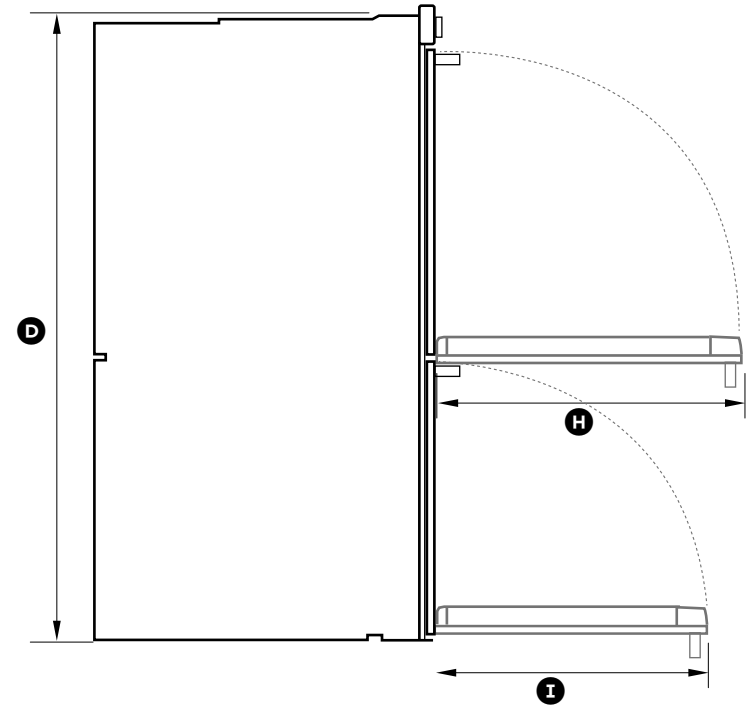
6 PRODUCT DIMENSIONS (OB60B, OB60D MODELS)



FRONT



TOP

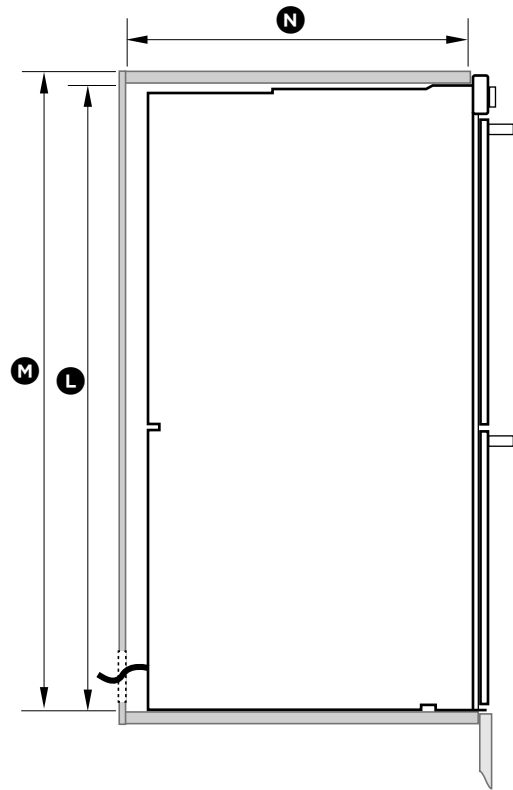


SIDE

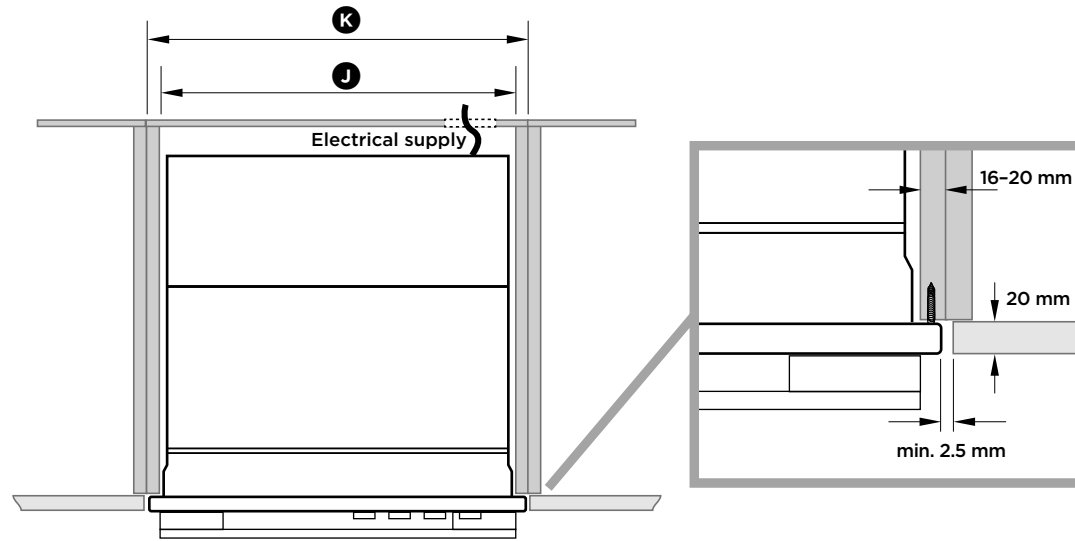
PRODUCT DIMENSIONS	OB60B MODELS	OB60D MODELS
	(MM)	(MM)
Ⓐ Overall height* of product	888	1077
Ⓑ Overall width of product	595	595
Ⓒ Overall depth of product (excluding handle and knobs)	565	565
Ⓓ Height of chassis	874	1057
Ⓔ Width of chassis	556	556
Ⓕ Depth of chassis	545	545
Ⓖ Depth of oven frame and control panel (distance between front of chassis and front of oven door, excluding knobs)	20	20
Ⓗ Depth of upper oven door when fully open (measured from front of control panel)	261	435
Ⓘ Depth of lower oven door when fully open (measured from front of control panel)	435	450

*All height measurements include mounted feet.

7 CABINERY DIMENSIONS (OB60B, OB60D MODELS)



SIDE



TOP

CABINERY DIMENSIONS	OB60B MODELS	OB60D MODELS
	(MM)	(MM)
ⓐ Minimum inside width of cavity	560	560
Ⓚ Overall width of cavity	600	600
Ⓛ Inside height of cavity	877	1065
Ⓜ Overall height of cavity	893	1082
Ⓝ Minimum inside depth of cavity	550	550
Flush fitting cabinetry clearance	20	20

8 DISCARD PACKAGING RESPONSIBLY

⚠ WARNING!



Very Heavy
Do not attempt to lift this product unassisted.
Lifting unassisted may cause serious injury.

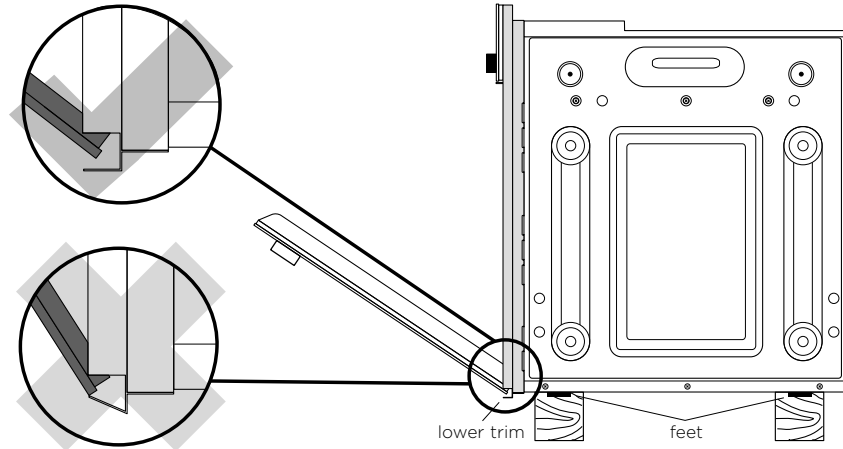
- Remove all packaging and dispose of it responsibly. Recycle items that you can.
- Place the unpacked oven onto wooden blocks or similar supports to prevent damaging the lower trim. You may remove the feet, but ensure the oven does not sit on the lower trim.
- Oven may vary.



Recycle responsibly

IMPORTANT!

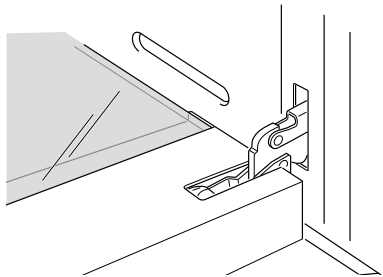
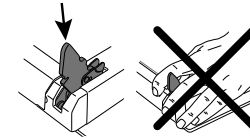
When you remove the oven from the carton be careful not to damage the lower trim.
The trim is important for both ventilation and to ensure the door opens fully without obstruction.



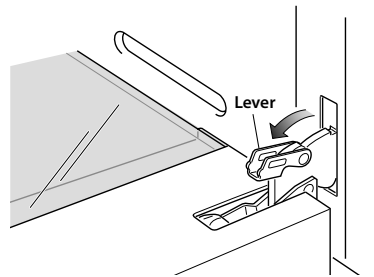
9 REMOVE THE DOOR

IMPORTANT!

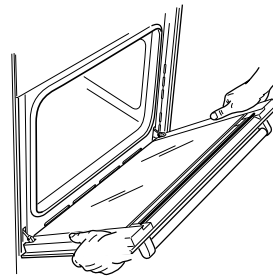
- Always keep a safe distance from the door hinges, paying special attention to position of your hands.
- If the door hinges are not correctly hooked, they could unhook and close suddenly and unexpectedly with risk of injury.
- Take care, the oven door is heavy.



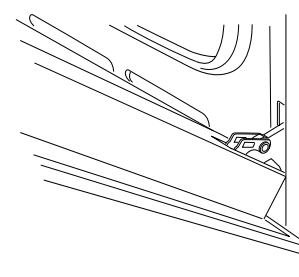
① Open the door fully.



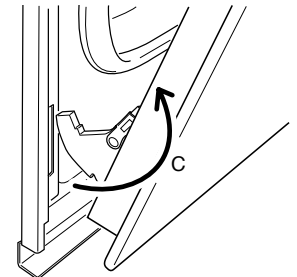
② Open the levers.



③ Hold the door.



④ Close the door until the levers hook to it.



⑤ Disengage the hinges and remove the door.

10 CONNECT THE OVEN TO THE MAINS SUPPLY

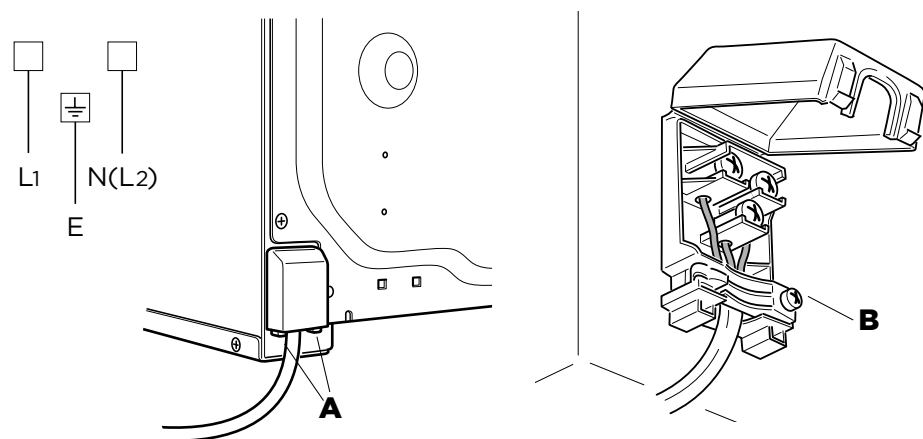
IMPORTANT!

- This oven must be connected to the mains power supply only by a suitably qualified person.
- This oven must be earthed.

Before connecting the oven to the mains power supply, check that the:

- domestic wiring system is suitable for the power drawn by the oven (as specified on the rating plate)
- voltage corresponds to the value given on the rating plate.

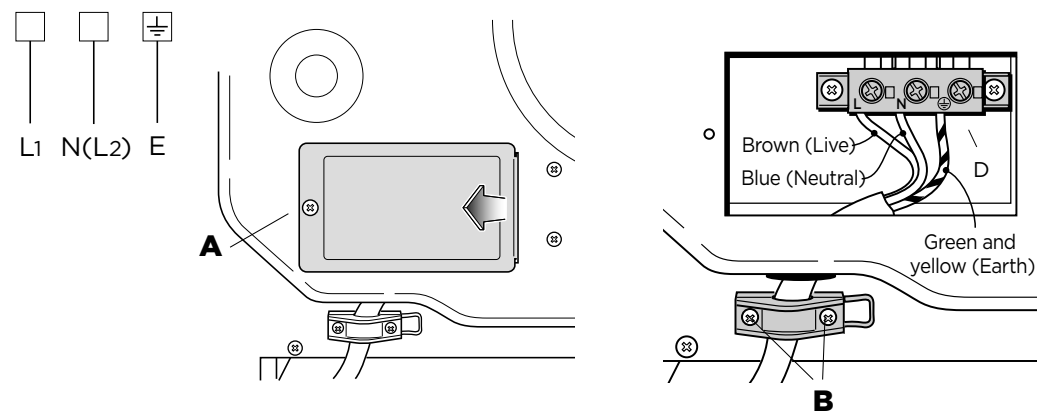
We recommend that the outlet for the power supply cable is located in the right rear corner of the cabinet cavity. This allows the power supply cable to sit inside the right rear of the oven and prevents it being jammed between the cabinet wall and the rear of the oven.



- ① Unhook to open cover (A). ② Unscrew to open cable clamp (B).

OB60S and OB60N MODELS

MODELS	POWER (W)	VOLTAGE (V~)
OB60SLC	2350 - 2550	230 - 240
OB60SLM, OB60SCE, OB60SCM	3070	220 - 240
OB60SCT, OB60SDT	3600	230
OB60S9D	3400	220 - 240
OB60SV	3070	220 - 240
OB60NL	2050	220 - 240
OB60NC, OB60ND	2800	220 - 240



- ① Unscrew to remove cover plate (A). ② Unscrew to remove cable clamp (B).

OB60B and OB60D MODELS

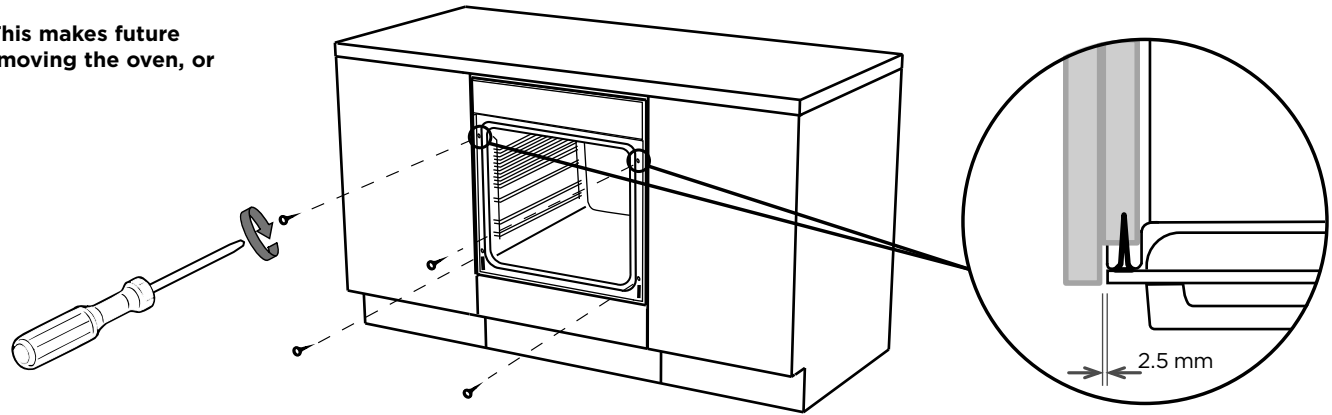
MODELS	POWER (W)	VOLTAGE (V~)
OB60BC, OB60BD,	5800	220 - 240
OB60B77C, OB60B77D	5850	220 - 240
OB60DD	6120	220 - 240

11 SECURE THE OVEN TO THE CABINETY

IMPORTANT!

- Do not lift the oven by the door handle.
- Do not over-tighten the screws.
- Do not seal the oven into the cabinetry with silicone or glue. This makes future servicing difficult. Fisher & Paykel will not cover the cost of removing the oven, or damage caused by this removal.

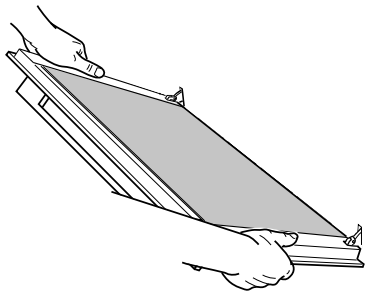
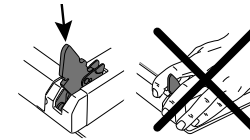
- ① Position the oven in the prepared cavity.
- ② Open the oven door fully.
- ③ Secure oven to cabinetry using supplied screws.



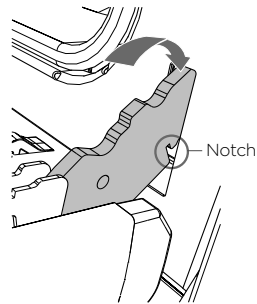
12 REFIT THE DOOR

IMPORTANT!

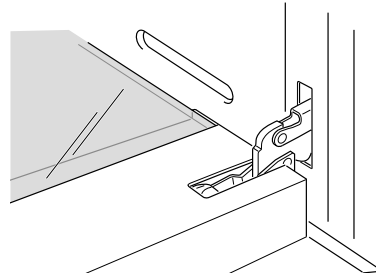
- Always keep a safe distance from the door hinges, paying special attention to position of your hands.
- If the door hinges are not correctly hooked, they could unhook and close suddenly and unexpectedly with risk of injury.
- Take care, the oven door is heavy.



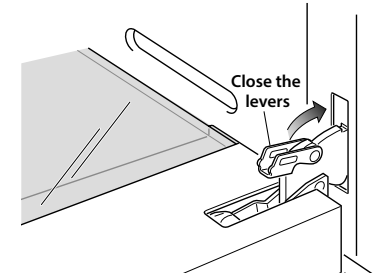
- ① Hold the door firmly.



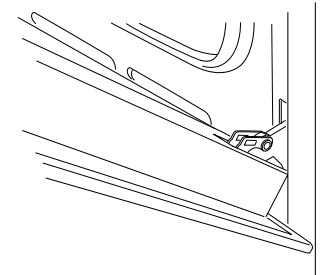
- ② Insert the hinge tongues into the slots, making sure that the notches on both sides drop into place as shown.



- ③ Open the door to its full extent.



- ④ Fully close the levers on the left and right hinges.



- ⑤ Close the door and check that it is properly in place: it should sit square to the control panel.

✓ **IF THE APPLIANCE IS NOT FUNCTIONING CORRECTLY AFTER INSTALLATION CHECK THE FOLLOWING:**

- That the circuit breaker has not tripped or the fuse blown.
- Make sure that the electrical connections have been correctly made.
- Make sure that power is being supplied to the oven.
- Make sure the voltage is correct across all phases.
- If a problem occurs, consult the Troubleshooting section of the User Guide.
- If after checking these points you still need assistance or parts, please refer to the Service & Warranty book for warranty details and your nearest Authorised Repairer, or contact us through our local website fisherpaykel.com

✓ **TO BE COMPLETED BY THE INSTALLER:**

- Make sure the oven is level and securely fitted to the cabinetry and the oven door opens and closes freely.
- Make sure all the internal packaging has been removed from the oven cavity.
- Make sure all oven vents and openings are clear and are free of any obstruction/damage.

IMPORTANT!

Failure to make sure all oven vents are clear may result in poor product performance.

- Check the lower trim is still undamaged — open the oven door slowly to its fully open position and check if there is adequate clearance between the bottom of the door and the lower trim. This is to ensure correct air circulation. Should the lower trim become damaged, straighten the trim and ensure the oven door opens fully without obstruction.
- Check that the power supply cable does not touch any metal parts that can become hot during use.
- Make sure that the isolating switch is easily accessible by the customer.

TEST OPERATION:

- Turn the power to the oven on. On some models, the display should light up and show 0:00.
- Advise the customer to follow the instructions in their user guide in section 'First use'.

Complete and keep for safe reference:

Model _____

Serial No. _____

Purchase Date _____

Purchaser _____

Dealer Address _____

Installer's Name _____

Installer's Signature _____

Installation Company _____

Installation Date _____

FISHERPAYKEL.COM

© Fisher & Paykel Appliances 2019. All rights reserved.
The product specifications in this booklet apply to the specific products and models described at the date of issue. Under our policy of continuous product improvement, these specifications may change at any time. You should therefore check with your Dealer to ensure this booklet correctly describes the product currently available.