

Integrated Single DishDrawer™ Dishwasher, Tall, Sanitize

Series 9 | Integrated

Panel Ready

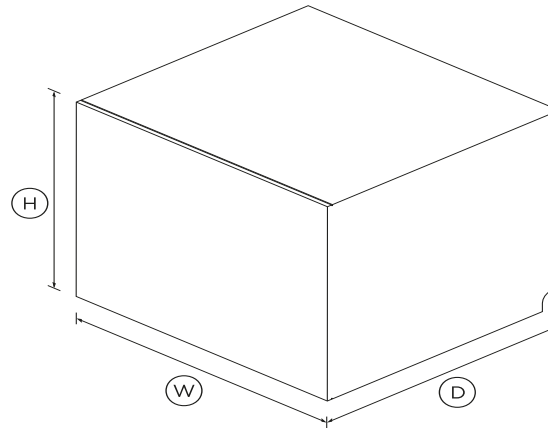


Designed to fit your full-sized dinner plates, this DishDrawer™ can be placed anywhere in your kitchen, integrating seamlessly.

- Knock to pause function is perfect if you miss a dish
- Six wash programs, as well as additional Quick wash, Sanitize and Extra Dry options
- Customize with your own kitchen cabinetry or purchase our stainless steel door panel accessory
- American Disabilities Act (ADA) compliant, this can be installed at an accessible height for loading and unloading

DIMENSIONS

| | |
|--------|----------|
| Height | 17 7/8" |
| Width | 23 9/16" |
| Depth | 22 1/2" |



FEATURES & BENEFITS

Seamless integration

Slide your DishDrawer™ Dishwasher into an existing kitchen space or integrate into kitchen cabinetry, for a seamless look whilst delivering superior dish care.

Ease of use

DishDrawer™ Dishwashers are as easy to open and close as kitchen drawers and can be conveniently positioned at bench height for ease of loading and minimal bending. Flexible racking allows you to make adjustments to fit in a variety of dishes.

Quick, Sanitize and Extra Dry options

The Quick wash modifier delivers a faster wash while maintaining performance. The Sanitize option provides extra protection killing 99.9% of bacteria in the final rinse. The Extra Dry setting is perfect for plastic dishes.

Knock to pause

Instead of needing a remote control, these DishDrawer™ Dishwashers have a knock to pause function. A knock on the front panel will pause the dishwasher which can be re-started again by using the start/play button.

Quiet performer

Running at a very low decibel rate, these DishDrawer™ Dishwashers do their job without making a fuss. The combination of intelligent technology and simple mechanics means greater reliability and excellent wash performance.

SPECIFICATIONS

Accessories

| | |
|-----------------------------------|-------------------|
| Cutlery basket | • |
| Knife clip and multipurpose | • |
| Optional stainless steel door kit | DD24ST19 N |

Capacity and loading

| | |
|-----------------------------|---------------|
| Accommodates round plates | 12.25" |
| Adjustable height, foldable | • |
| Fold down tines | • |
| Pitch adjustable tines | • |

Consumption

| | |
|---------------|--------------------|
| Energy rating | Energy star |
|---------------|--------------------|

Controls

- Child lock •
- Electronic fault/Diagnostic •
- End of cycle beeps •
- Energy saving delay start •
- Internal wash selector •
- Knock to pause •
- Rinse aid indicator light •

Features

- Fan assisted drying •
- Flow through detergent •
- Quiet operation •
- SmartDrive™ technology •

Performance

Noise on gentle cycle top **44dBA**

Power requirements

Amperage **5A**
 Electric circuit **3 wire**
 Rated current **15A**
 Supply voltage **120V**

Product dimensions

Depth **22 1/2"**
 Height **17 7/8"**
 Width **23 9/16"**

Safety and compliance

- ADA compliant •

Warranty

Parts and labour **Limited 2 years**

Wash Program Modifiers

- Extra Dry •
- Quick •
- Sanitize •

Wash Programs

- Delicate •
- Eco •
- Fast •
- Heavy •
- Medium •
- Rinse •

Water connection

Inlet water temperature **Max 140°F**
 Supplied hose to suit 3/8" •

SKU **81220**

The product dimensions and specifications in this page apply to the specific product and model. Under our policy of continuous improvement, these dimensions and specifications may change at any time. You should therefore check with Fisher & Paykel's Customer Care Centre to ensure this page correctly describes the model currently available. ? Fisher & Paykel Appliances Ltd 2020



A PEACE OF MIND SALE

24 Hours 7 Days a Week Customer Support

T 1.888.936.7872 W www.fisherpaykel.com