

FISHER & PAYKEL

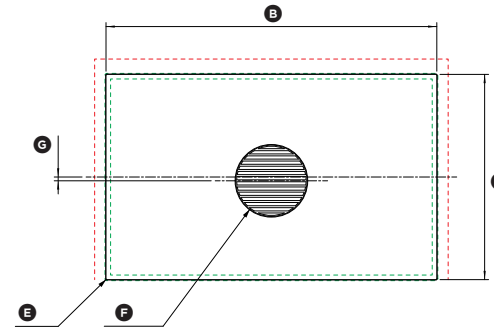
DATA SHEET Induction Cooktop, 83cm, with Integrated Ventilation

Model no:
CID834DTB4

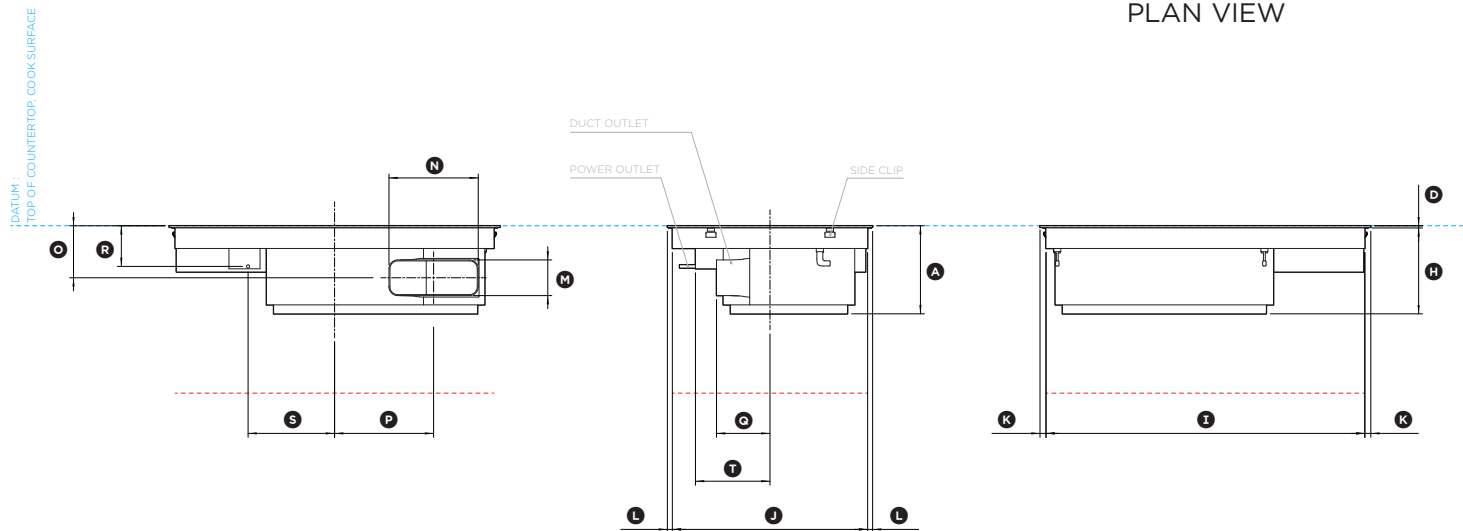
Product Dimensions	mm
Ⓐ Overall height of cooktop	221
Ⓑ Overall width of cooktop	830
Ⓒ Overall depth of cooktop	515
Ⓓ Height of cooktop glass (includes chassis flange)	5.5
Ⓔ Corner radii of glass	2
Ⓕ Diameter of extractor cover	179
Ⓖ Offset of extractor forward from centre of cooktop	10
Ⓜ Height of chassis	215
Ⓣ Width of chassis	799
Ⓛ Depth of chassis	488
Ⓧ Width of glass overhang at side of chassis	16
Ⓨ Depth of glass overhang at front and rear of chassis	14
Ⓩ Height of duct outlet	89
ⓐ Width of duct outlet	222
ⓑ Height from top of cooktop to centre of duct outlet	131
ⓓ Width from centre of cooktop to centre of duct outlet	249
ⓔ Depth from centre of cooktop to duct outlet	134
Ⓢ Height from top of cooktop to power outlet	102
ⓑ Width from centre of cooktop to power outlet	217
Ⓡ Depth from centre of cooktop to power outlet	187

Cutout Dimensions	mm
Overall width of cutout	807
Overall depth of cutout	492

Recess Dimensions for Flush Installation	mm
Overall width of recess	835
Overall depth of recess	520
Overall height of recess (shims may be required during install)	6
Corner radii of recess	4.5



PLAN VIEW



BACK VIEW

PROFILE VIEW

FRONT VIEW



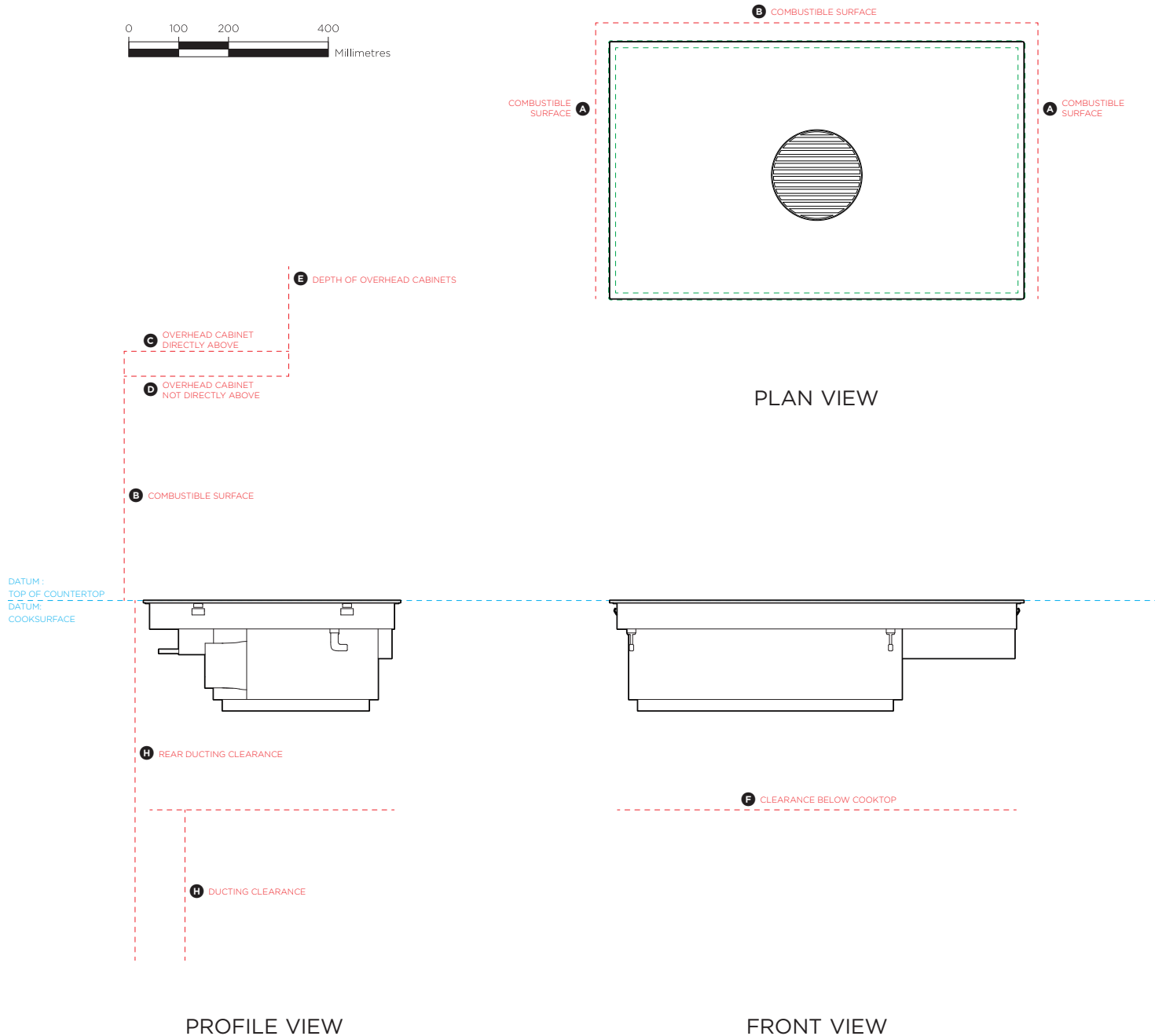
INDICATES CABINERY -----
INDICATES CABINERY / PRODUCT DATUM -----
INDICATES CABINERY CLEARANCES -----

DATE: **22.07.2021**

IMPORTANT NOTE: Throughout this guide, dimensions may vary by $\pm 2\text{mm}$ (1/16"). Please read the installation manual for detailed information on installing the product. For full installation instructions & specifications visit fisherpaykel.com

FISHER & PAYKEL

DATA SHEET Induction Cooktop, 83cm, with Integrated Ventilation



Model no:
CID834DTB4

Product Clearances	mm
Ⓐ Minimum clearance from side edges of cutout to nearest combustible surface	40
Ⓑ Minimum clearance from rear edge of cutout to nearest combustible surface	50
Ⓒ Minimum clearance from top of cook surface to non combustible surface directly above cooktop	500
Ⓓ Minimum clearance from cook surface to overhead cabinet not directly above cooktop	450
Ⓔ Maximum depth of overhead cabinetry	330
Ⓕ Minimum clearance below cook surface to top of any appliance or obstruction below cooktop (required for cleaning access)	421
Ⓖ Minimum clearance from rear of cutout to rear of cavity for ducting through cabinetry	28
Ⓖ Minimum clearance depth for ducting	100

Ventilation Requirements	cm ²
Minimum ventilation gap at front of cooktop	33cm ²
Minimum ventilation gap at rear of cooktop	40cm ²

INDICATES CABINERY -----
INDICATES CABINERY / PRODUCT DATUM - - - - -
INDICATES CABINERY CLEARANCES - - - - -

DATE: **22.07.2021**

IMPORTANT NOTE: Throughout this guide, dimensions may vary by $\pm 2\text{mm}$ (1/16"). Please read the installation manual for detailed information on installing the product. For full installation instructions & specifications visit fisherpaykel.com