

FISHER & PAYKEL

COMBI: GAS + INDUCTION COOKTOP



MINIMAL

CGI905DNGTB4, CGI905DLPTB4, CGI603DNGTB4, CGI603DLPTB4

INSTALLATION GUIDE

NZ AU

⚠ WARNING!

If the information in this manual is not followed exactly, a fire or explosion may result causing property damage, personal injury or death.

Do not store or use gasoline or other flammable vapors and liquids in the vicinity of this or any other appliance.

NEVER use this appliance as a space heater to heat or warm the room. Doing so may result in carbon monoxide poisoning and overheating of the appliance.

What to Do if you Smell Gas

- Do not try to light any appliance.
- Do not touch any electrical switch.
- Do not use any phone in your building.
- Immediately call your gas supplier from a neighbor's phone. Follow the gas supplier's instructions.
- If you cannot reach your gas supplier, call the fire department.

Installation and service must be performed by a qualified installer, service agency or the gas supplier.

⚠ WARNING!



Electric Shock Hazard

Failure to follow this advice may result in electric shock or death.

- Disconnect the appliance from the mains electricity supply before carrying out any work or maintenance.
- Connection to a good earth wiring system is essential and mandatory.
- Alterations to the domestic wiring system must only be made by a qualified electrician.

⚠ WARNING!



Cut Hazard

Failure to use caution could result in injury.

- Take care: some edges are sharp.

READ AND SAVE THIS GUIDE

General Use

- Suitable only for indoor installation.
- Do not modify this appliance
- Read these instructions carefully before installing this product.
- Save these instructions for the local electrical inspector's use.
- Installation must comply with your local building and local electricity regulations.
- This appliance is to be installed and serviced only by a Fisher & Paykel trained and supported service technician or qualified person.
- The manufacturer accepts no responsibility for the incorrect installation of appliances. Incorrect installation may result in personal injury, damage to property and may invalidate any warranty or liability claims.
- Packing elements (eg plastic bags, polystyrene foam, staples, packing straps etc) and tools should not be left around during and after installation, especially if they are within easy reach of children, as these may cause serious injuries.
- Make sure you recycle the packaging material.
- Before disposing of any appliance, make sure that it can no longer be used and that all hazardous parts are removed or made harmless, so that children playing with the old appliance cannot harm themselves.
- Only genuine replacement parts may be used for servicing the appliance. These are available from your nearest Fisher & Paykel Service Centre.
- These appliances are registered in: New Zealand at www.energysafety.govt.nz and Australia with SAI Global at www.saiglobal.com.
- Appliances are factory set for natural gas but are convertible to ULPG. If in doubt, refer to the local gas network operator or gas supplier to confirm gas type at installation site.
- Do not modify this appliance.
- Do not use or store flammable materials on or near this appliance.
- Do not spray aerosols in the vicinity of this appliance while it is in operation.
- This cooktop must be connected to the mains power supply only by a suitably qualified person.
- Do not use adapters, reducers, or branching devices when connecting the cooktop to the mains power supply to prevent overheating and fire.
- The power supply cable must not touch any hot parts and must be positioned so that its temperature will not exceed 75°C at any point.
- This cooktop requires adequate supply of cool air to fully function. The base of the cooktop must have direct, unrestricted ventilation to the room where the cooktop is installed. There must be a 4mm air gap at the front of the cooktop. (See 'Venting Clearances' page)

INITIAL CONSIDERATIONS

PRIOR TO INSTALLATION

Prior to installing your cooktop, ensure the following:

- The local distribution conditions (nature of gas and pressure) and the adjustment of the appliance are compatible. For adjustment conditions for this appliance see 'Gas rate summary'.
- A suitable disconnection switch is incorporated in the permanent wiring, mounted and positioned to comply with the local wiring rules and regulations. A means of disconnection with at least a 3mm air gap contact separation in all poles must be incorporated into the fixed wiring in accordance with the wiring rules, unless the local wiring rules allow for alternative means.
- There is a power outlet within reach of the power supply cable. This must be accessible after installation. The power supply cable should not touch any metal parts.
- If the supply cord is damaged, it must be replaced by a special cord or assembly available from authorised Fisher & Paykel Service Agents.
- The supply connection point (gas shut-off valve) is accessible after installation.
- The benchtop is made of a heat-resistant material.
- The installation complies with all the requirements of Australian and New Zealand Gas Installation Standards (AS/NZS 5601.1.2010), including that the product has to be installed so that the surface temperature of any nearby combustible surface will not exceed 65 OC above ambient. Refer to 'Clearance Dimensions'.
- If installed with an approved flexible hose, the hose should not come in contact with the bottom of the appliance or any sharp edges. Flexible hose assemblies should be AS/NZS 1869 Class B or Class D certified with a maximum length of 1.20m.
- The cooktop will not be installed directly above a dishwasher, fridge, freezer, washing machine or clothes dryer, as the humidity may damage the cooktop electronics.
- Remove all internal and external packaging and recycle it responsibly where possible.

DURING INSTALLATION

During installation, please ensure the following:

- Seal the exposed bare edges of the cutout with an oil-based paint or moisture-proof polyurethane to prevent possible moisture creeping between the cooktop trim and the benchtop.
- Take extreme care not to chip, crack, or break the top glass surfaces during installation. A heavy metal tool or part accidentally dropped on the glass could damage it.
- If, after following the instructions given, correct performance cannot be achieved, please contact your nearest Fisher & Paykel Service Centre, Customer Care, or contact us through our local website listed at the end of this document.

WARNING!

The owner carries all risk for flush mounting the cooktop. The owner must ensure the cooktop has been cut out from the countertop before servicing can be carried out. Fisher & Paykel will not be liable for any costs associated with removing or replacing a flush-mounted and/or sealed-in product, nor for repairing any damage that may be incurred by doing this.

COMPONENTS REQUIRED

PARTS SUPPLIED

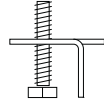
- Keep all packing materials until the unit has been inspected.
- Inspect the product to ensure there is no shipping damage. If any damage is detected contact the dealer or retailer you bought the product from to report the damage.
- Fisher & Paykel is not responsible for shipping damage.



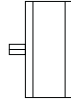
Fibre washer



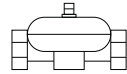
Elbow 1/2" BSP external thread



Clamping brackets



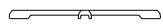
ULPG test point adapter*



NG regulator**



Dual wok pan support

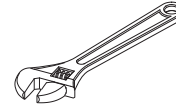


Small pan support

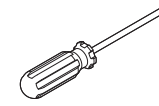


Wok stand

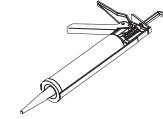
TOOLS REQUIRED



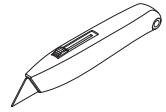
Wrench



Crosshead screwdriver



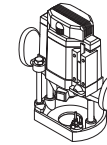
Silicone



Cutter



Hex key

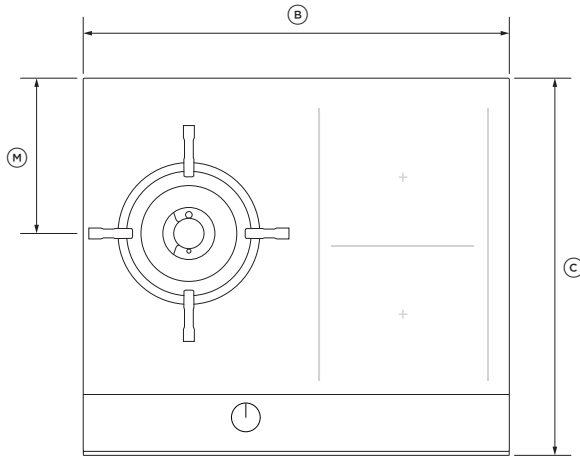


Router

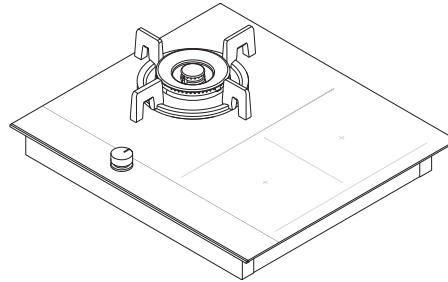
*LPG models only

**NG models only

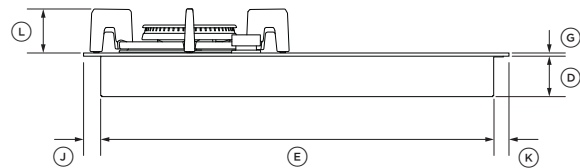
PRODUCT DIMENSIONS – CGI603D MODELS



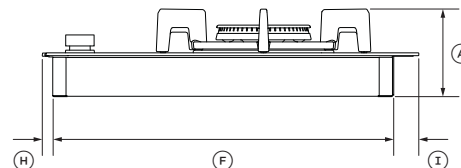
PLAN



ISOMETRIC



FRONT



PROFILE

PRODUCT DIMENSIONS	CGI603D
	MM
(A) Overall height of cooktop*	126
(B) Overall width of cooktop	599
(C) Overall depth of cooktop	530
(D) Height of chassis	60
(E) Width of chassis	556
(F) Depth of chassis	485
(G) Height of cooktop glass and flange	5
(H) Depth of front overhang of cooktop	12
(I) Depth of rear overhang of cooktop glass**	33
(J) Depth of left overhang of cooktop glass**	23
(K) Depth of right overhang of cooktop glass**	20
(L) Height of tallest trivet***	61
(M) Distance from centre of burner to rear of cooktop	218
Height from benchtop to centre of gas inlet****	31
Depth from front of chassis to gas inlet****	31

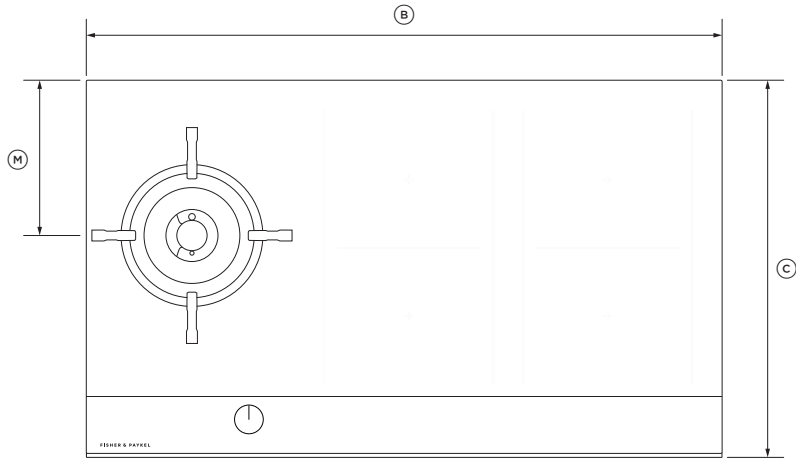
*Including tallest trivet

**Including flange

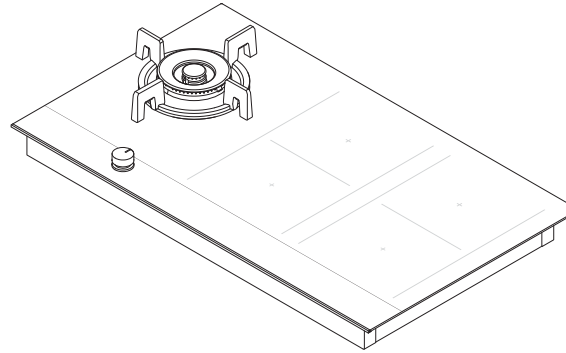
***From cooktop surface

****Located at the rear on the left hand side

PRODUCT DIMENSIONS – CGI905D MODELS



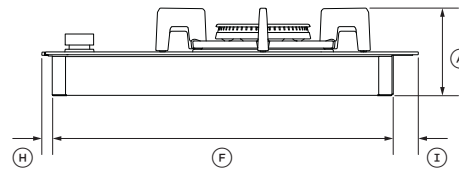
PLAN



ISOMETRIC



FRONT



PROFILE

PRODUCT DIMENSIONS	CGI905D
	MM
Ⓐ Overall height of cooktop*	126
Ⓑ Overall width of cooktop	899
Ⓒ Overall depth of cooktop	530
Ⓓ Height of chassis	60
Ⓔ Width of chassis	852
Ⓕ Depth of chassis	485
Ⓖ Height of cooktop glass and flange	5
Ⓗ Depth of front overhang of cooktop	12
Ⓘ Depth of rear overhang of cooktop glass**	33
Ⓝ Depth of left overhang of cooktop glass**	23
Ⓚ Depth of right overhang of cooktop glass**	24
Ⓛ Height of tallest trivet***	61
Ⓜ Distance from centre of burner to rear of cooktop	218
Height from benchtop to centre of gas inlet****	31
Depth from front of chassis to gas inlet****	31

*Including tallest trivet

**Including flange

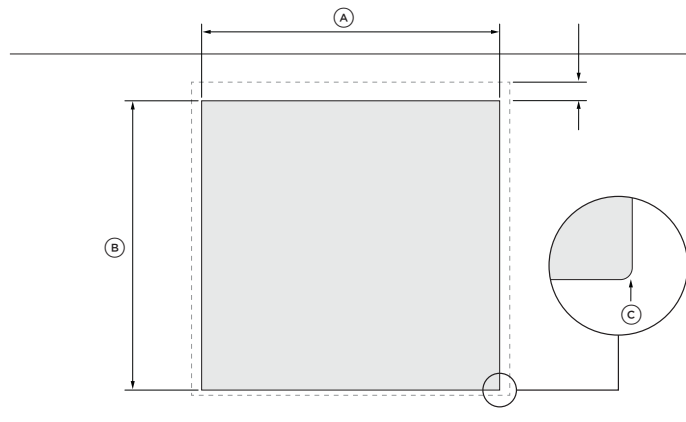
***From cooktop surface

****Located at the rear on the left hand side

Actual product dimensions may vary by ± 2 mm

CUTOUT DIMENSIONS – CGI603D MODELS

PROUD INSTALLATION



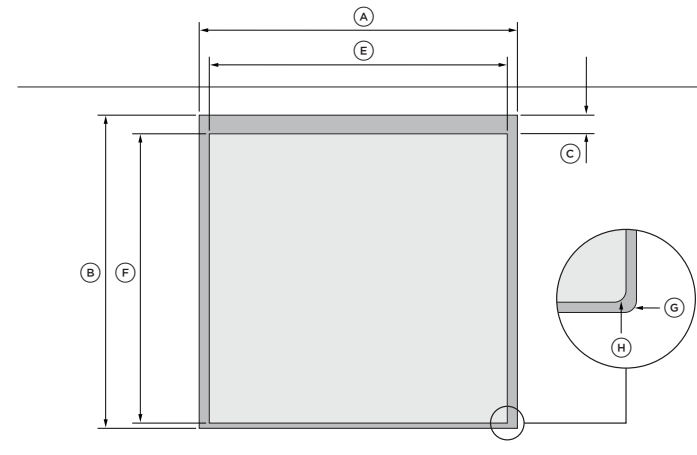
PLAN



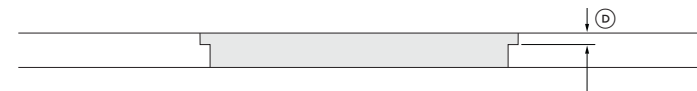
FRONT

CUTOUT DIMENSIONS	CGI603D MM
Ⓐ Overall width of cutout	560
Ⓑ Overall depth of cutout	490
Ⓒ Corner radius of cutout	max 2

FLUSH INSTALLATION



PLAN

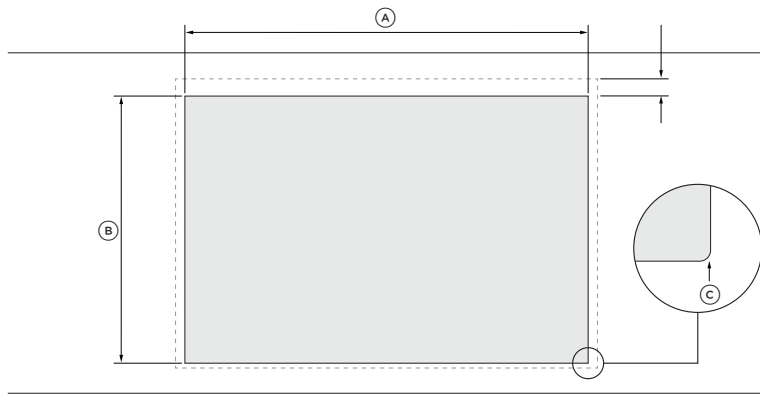


FRONT

CUTOUT DIMENSIONS	CGI603D MM
Ⓐ Overall width of routed recess	605
Ⓑ Overall depth of routed recess	535
Ⓒ Offset overhang allowance	34
Ⓓ Height of routed recess	5
Ⓔ Width of cutout	560
Ⓕ Depth of cutout	490
Ⓖ Corner radius of routed recess	max 2
Ⓗ Corner radius of cutout	max 10

CUTOUT DIMENSIONS – CGI905D MODELS

PROUD INSTALLATION



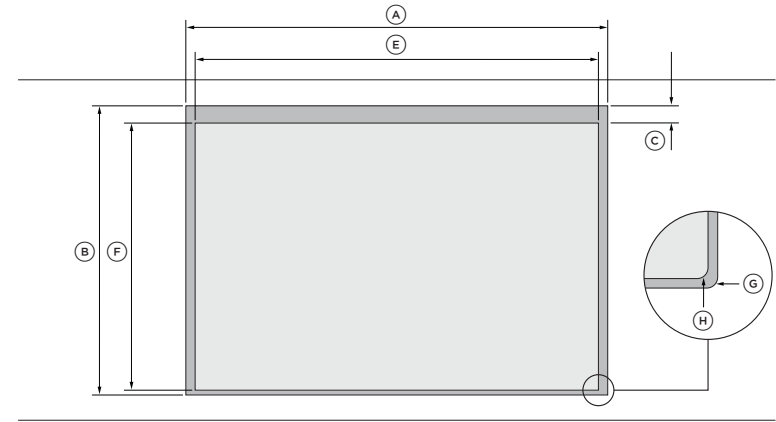
PLAN



FRONT

CUTOUT DIMENSIONS	CGI905D MM
Ⓐ Overall width of cutout	865
Ⓑ Overall depth of cutout	490
Ⓒ Corner radius of cutout	max 2

FLUSH INSTALLATION



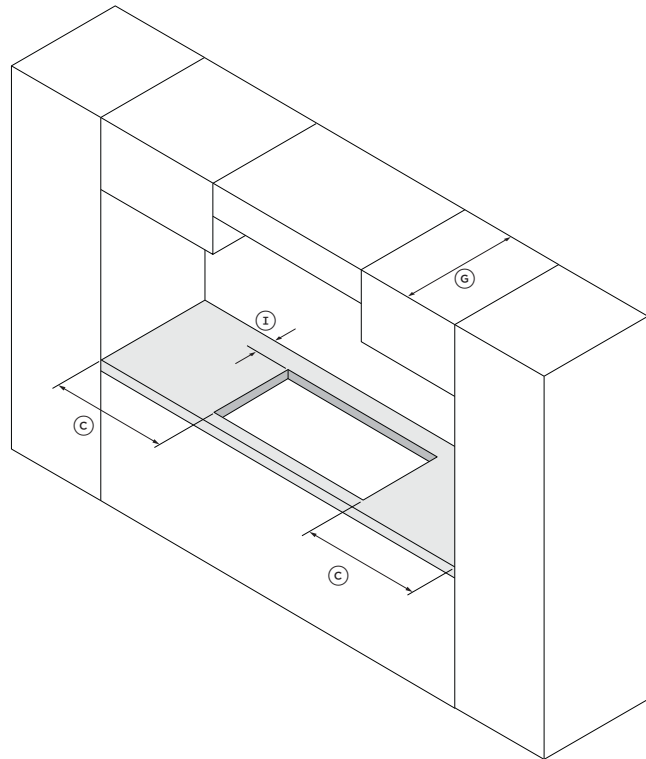
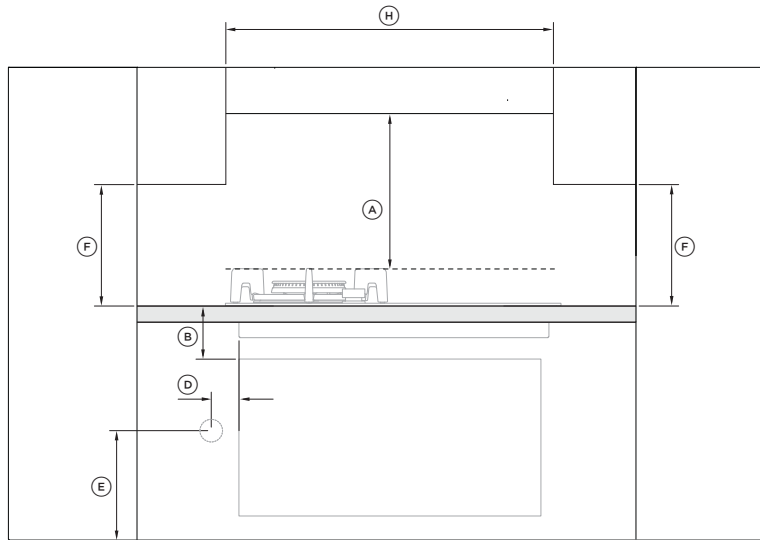
PLAN



FRONT

CUTOUT DIMENSIONS	CGI905D MM
Ⓐ Overall width of routed recess	905
Ⓑ Overall depth of routed recess	535
Ⓒ Offset overhang allowance	34
Ⓓ Height of routed recess	5
Ⓔ Width of cutout	865
Ⓕ Depth of cutout	490
Ⓖ Corner radius of routed recess	max 2
Ⓗ Corner radius of cutout	max 10

CLEARANCES – CGI603D MODELS



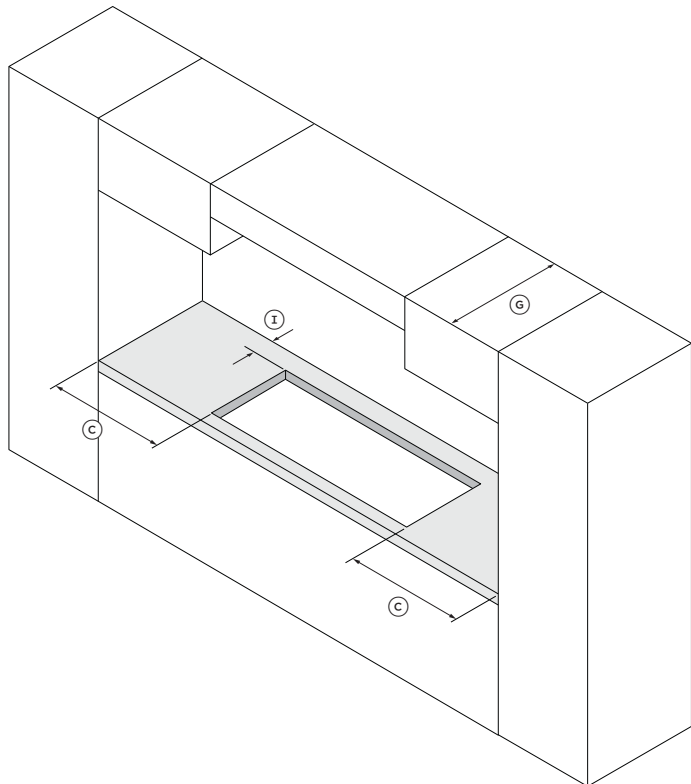
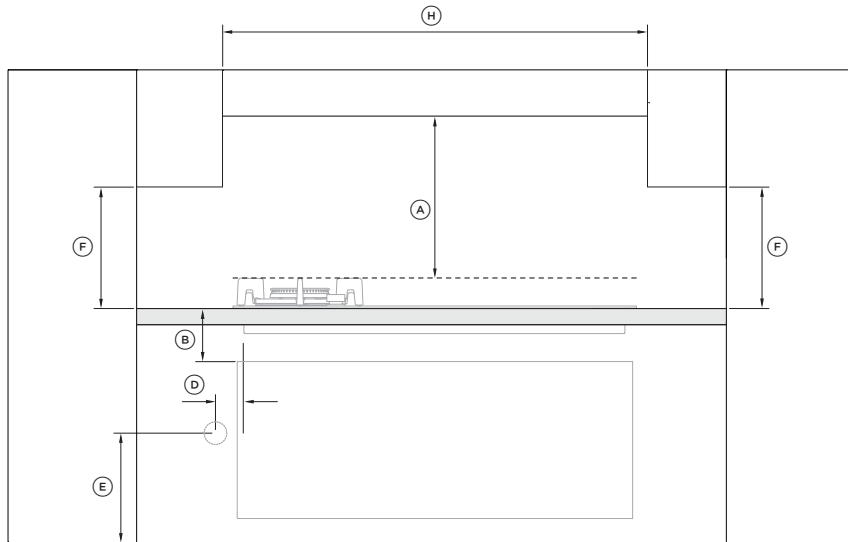
CLEARANCE DIMENSIONS	CGI603D
	MM
(A) Minimum clearance from top of trivets to: <ul style="list-style-type: none"> • Rangehood • Overhead exhaust fan • Downward facing combustable surface* • Downwards-facing tiled or fire resistant surface 	650 800 650 500
(B) Minimum clearance below bench top to: <ul style="list-style-type: none"> • Combustable surface • Fisher & Paykel oven or nearest non-combustable surface 	70 65
(C) Minimum clearance from side of cutout to nearest adjacent combustable surface	115
(D) Minimum distance from right edge of cooktop to gas connection point on wall (if using a flexible hose)	250
(E) Distance from floor to gas connection point on wall (if using a flexible hose)	800-850
(F) Minimum clearance from countertop to overhead cabinet (not directly above the cooktop)	450
(G) Maximum depth of overhead cabinetry	600
(H) Minimum distance between overhead cabinets (centered above cooktop)	600
(I) Minimum clearance from rear edge of cutout to nearest: <ul style="list-style-type: none"> • Combustable surface • Non-combustable surface 	85 45

Ensure there is an earthed power outlet within 900mm of the centre rear of the product. The gas connector on the wall should be accessible with the product installed.

*Combustible surface definition

Any materials of a building structure or decorative structure made of wood, compressed paper, plant fibres, vinyl/plastic or other materials that are capable of transferring heat or being ignited and burned. Such material shall be considered combustable even though flame-proofed, fire-retardant treated or surface-painted, or plastered.

CLEARANCES – CGI905D MODELS



CLEARANCE DIMENSIONS	CGI905D
	MM
(A) Minimum clearance from top of trivets to: <ul style="list-style-type: none"> Rangehood Overhead exhaust fan Downward facing combustable surface* Downwards-facing tiled or fire resistant surface 	650 800 650 500
(B) Minimum clearance below bench top to: <ul style="list-style-type: none"> Combustable surface Fisher & Paykel oven or nearest non-combustible surface 	70 65
(C) Minimum clearance from side of cutout to nearest adjacent combustable surface	115
(D) Minimum distance from right edge of cooktop to gas connection point on wall (if using a flexible hose)	250
(E) Distance from floor to gas connection point on wall (if using a flexible hose)	800-850
(F) Minimum clearance from countertop to overhead cabinet (not directly above the cooktop)	450
(G) Maximum depth of overhead cabinetry	600
(H) Minimum distance between overhead cabinets (centered above cooktop)	900
(I) Minimum clearance from rear edge of cutout to nearest: <ul style="list-style-type: none"> Combustable surface Non-combustible surface 	85 45

Ensure there is an earthed power outlet within 900mm of the centre rear of the product. The gas connector on the wall should be accessible with the product installed.

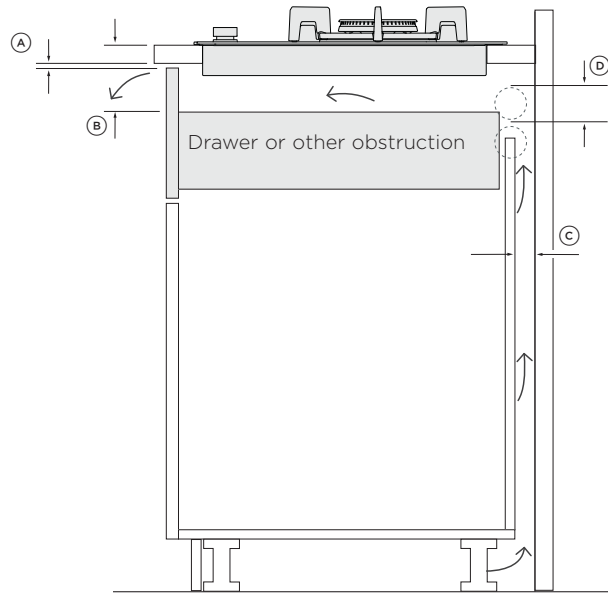
*Combustible surface definition

Any materials of a building structure or decorative structure made of wood, compressed paper, plant fibres, vinyl/plastic or other materials that are capable of transferring heat or being ignited and burned. Such material shall be considered combustable even though flame-proofed, fire-retardant treated or surface-painted, or plastered.

VENTING CLEARANCES

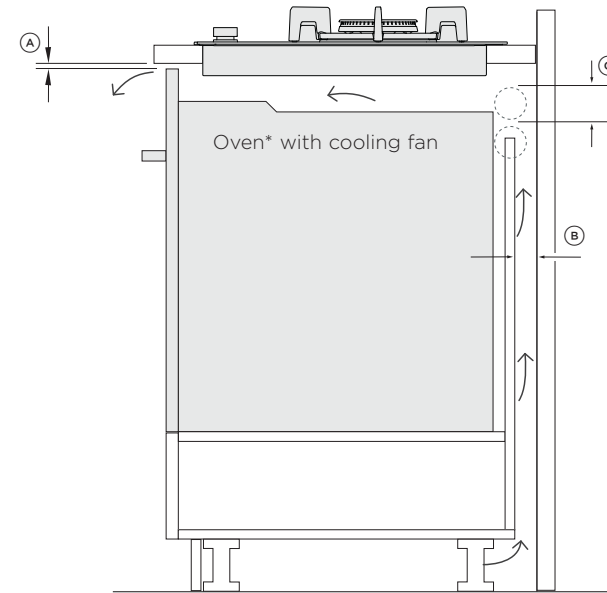
DRAWER OR OTHER OBSTRUCTION

This cooktop requires adequate supply of cool air to fully function. The base of the cooktop must have direct unrestricted ventilation to the room where the cooktop is installed. There must be a 4mm air gap at the front of the cooktop.



CLEARANCE DIMENSIONS	MM
Ⓐ Minimum ventilation gap at the front of the cooktop	4
Ⓑ Minimum clearance from cooktop to drawer or other obstruction	65
Ⓒ Minimum ventilation gap at the rear of the cooktop	20
Ⓓ Minimum diameter of cooling air hole	50

OVEN WITH COOLING FAN



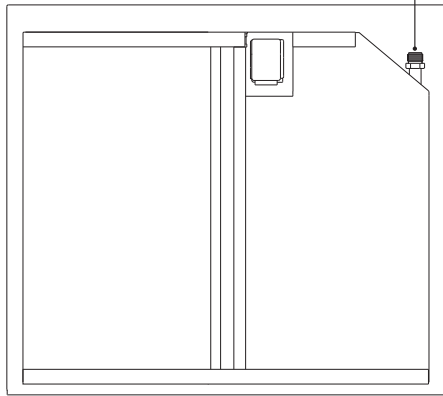
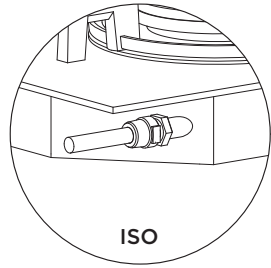
CLEARANCE DIMENSIONS	MM
Ⓐ Minimum ventilation gap at the front of the cooktop	4
Ⓑ Minimum ventilation gap at the rear of the cooktop	20
Ⓒ Minimum diameter of cooling air hole	50

*Some ovens require installation in a sealed box. Please refer to your oven installation guide for more information.

GAS CONNECTION CONSIDERATIONS

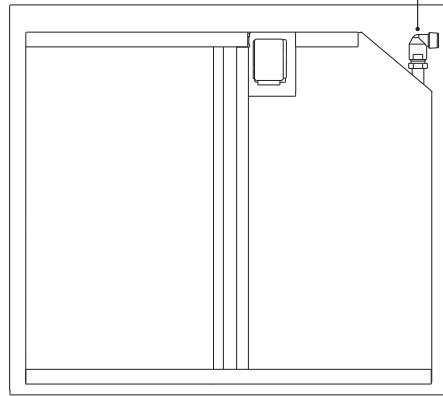
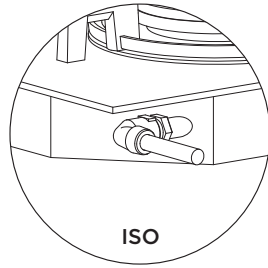
The following are the available options for connecting the gas line to the cooktop to suit your installation:

..... GAS LINE TO GAS INLET



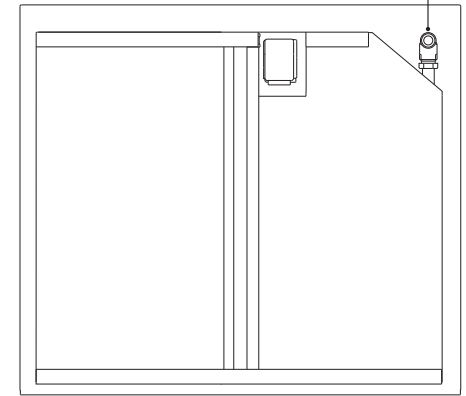
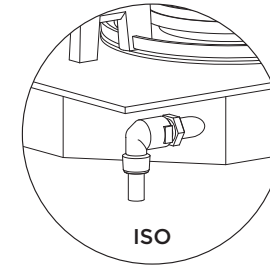
BASE

..... GAS LINE TO ELBOW FACING LEFT



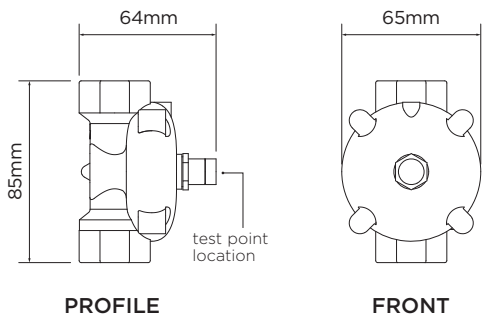
BASE

..... GAS LINE TO ELBOW FACING DOWN



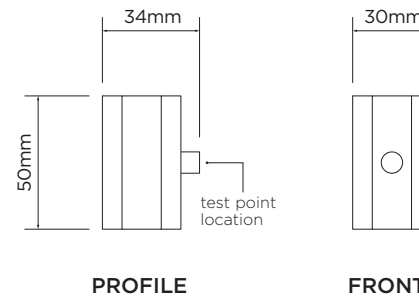
BASE

..... NATURAL GAS MODELS



Ensure the supplied natural gas test point adapter dimensions are considered prior to the installation. This can be fitted at any point along the gas line.

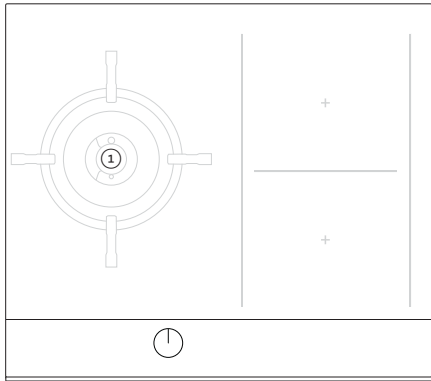
..... LPG MODELS



Ensure the supplied LPG test point adapter dimensions are considered prior to the installation. This can be fitted at any point along the gas line.

GAS RATE SUMMARY

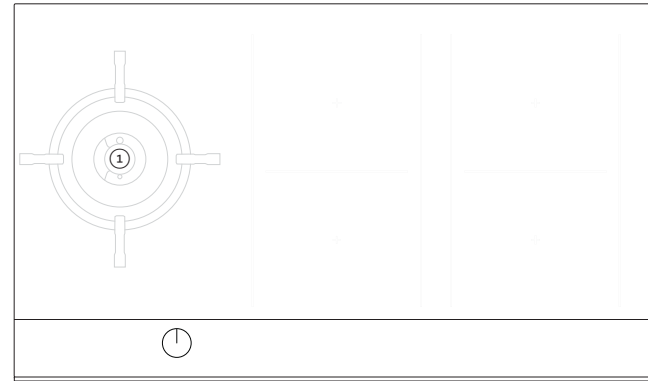
CGI603D MODELS



BURNER	GAS TYPE	JET SIZE (MM)	NOMINAL RATING (MJ/H)
① Dual wok	NG (1.00kPa)*	1.45	21.50
		1.45	
		0.70	
	ULPG (2.75kPa)*	0.81	20.50
		0.81	
		0.50	

*Nominal pressure with burner on high

CGI905D MODELS

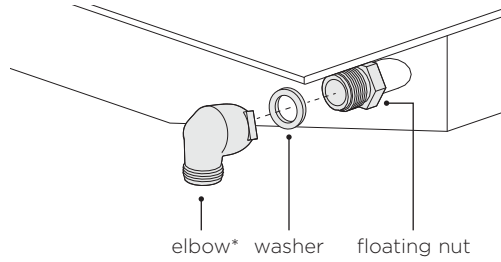


BURNER	GAS TYPE	JET SIZE (MM)	NOMINAL RATING (MJ/H)
① Dual wok	NG (1.00kPa)*	1.45	21.50
		1.45	
		0.70	
	ULPG (2.75kPa)*	0.81	20.50
		0.81	
		0.50	

*Nominal pressure with burner on high

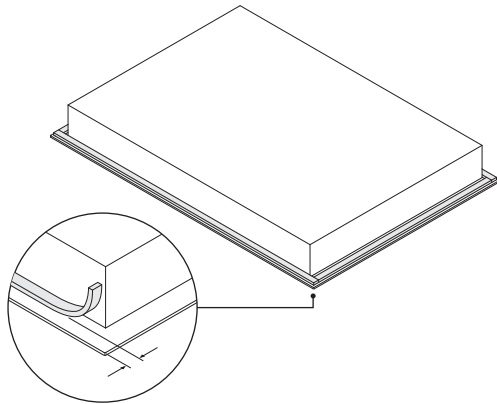
PROUD INSTALLATION

1



Fit the elbow and washer to the floating nut. Turn the cooktop over carefully and place onto a protected surface ensuring the ignitor won't be damaged.

2

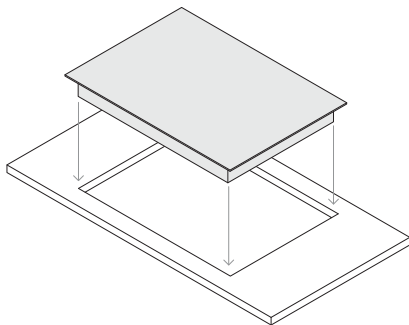


Apply adhesive foam seal around the glass overhang, 5mm in from the edge of the glass.

Ensure the adhesive side is facing down to form a continuous seal around the cooktop.

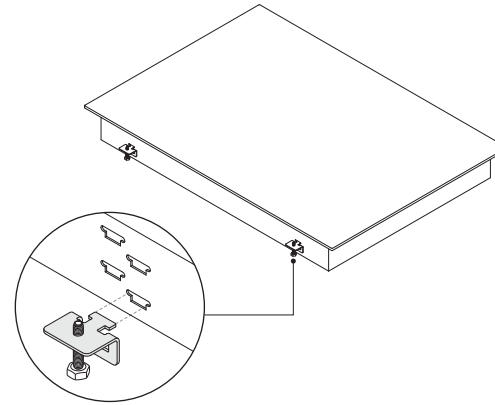
Trim any excess seal using a sharp knife taking care not to damage the cooktop or surface.

3



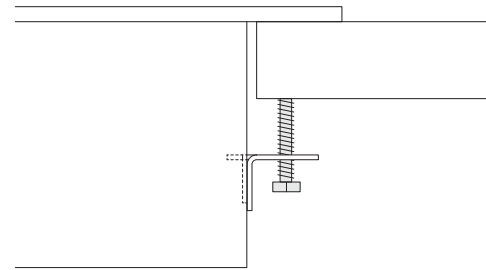
Gently lower the cooktop into the cutout ensuring you have access below the countertop to fit and secure the brackets.

4



Locate the side brackets* to the appropriate slots on the cooktop chassis. The correct slot height is determined by the thickness of your countertop.

5

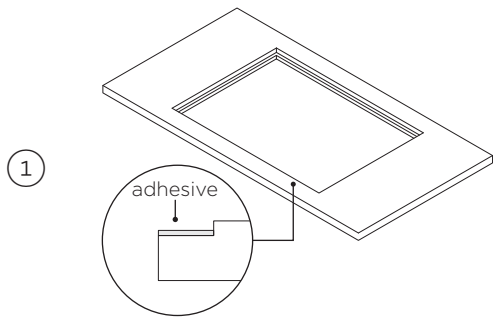


Tighten all screws to secure the cooktop to the countertop. Ensure cooktop is level.

*(1/2" BSP external thread)

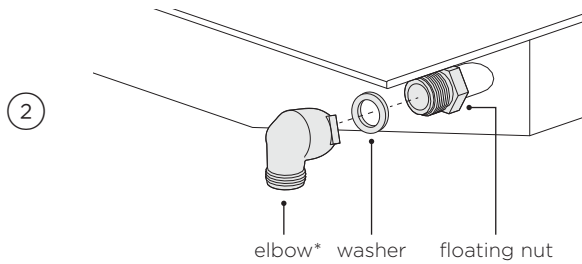
*The number of brackets varies based on your cooktop model

FLUSH INSTALLATION



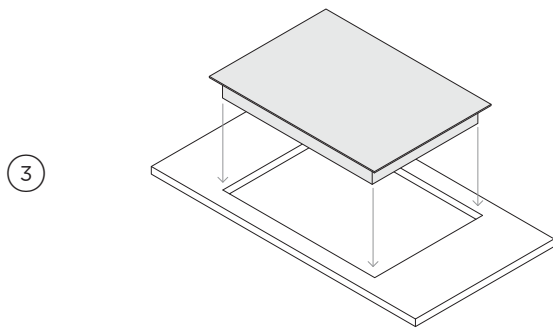
1

Prepare the countertop for flush installation. Use a router to cutout the edges of the countertop to specified depth (5mm). Attach an adhesive tape along the edges of the routed recess.



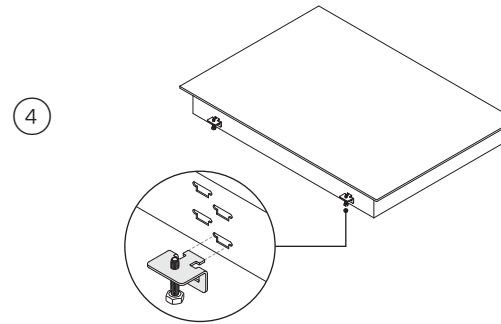
2

Fit the elbow and washer to the floating nut. Turn the cooktop over carefully and place onto a protected surface.



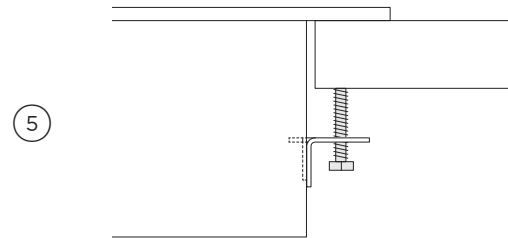
3

Gently lower the cooktop into the cutout ensuring you have access below the countertop to fit and secure the brackets.



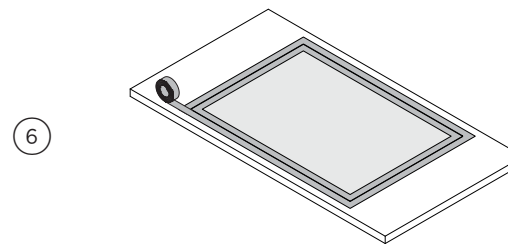
4

Locate the side brackets* to the appropriate slots on the cooktop chassis. The correct slot height is determined by the thickness of your countertop.



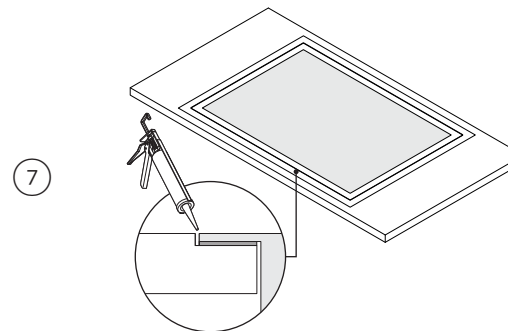
5

Tighten all screws to secure the cooktop to the countertop. Ensure cooktop is level.



6

Mask off the area to be siliconed ensuring both the cooktop and countertop are protected.



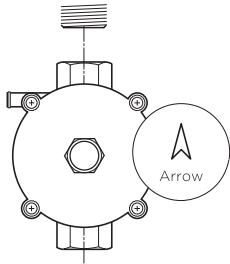
7

Apply silicone in the gap between countertop and cooktop. Wipe off any excess silicone.

*The number of brackets varies based on your cooktop model

GAS CONNECTION

NATURAL GAS MODELS



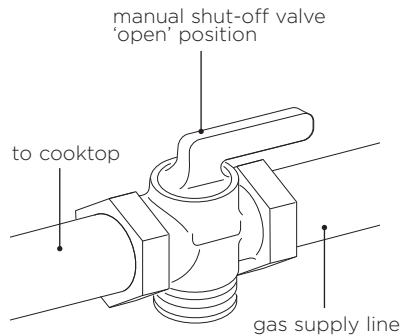
Adjust to obtain a test point pressure of 1kPa with the burner operating at the highest setting.

LPG MODELS



Adjust to obtain a test point pressure of 2.75kPa with the burner operating at the highest setting.

ALL MODELS

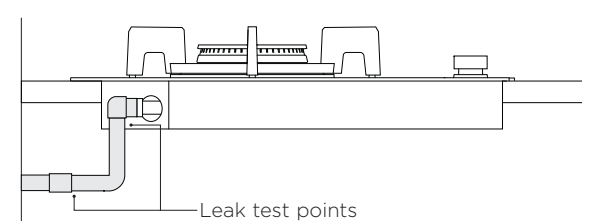
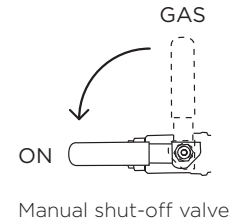


- Ensure the connection point will be accessible with the installed cooktop.
- Use an isolating valve close to the cooktop.

If connecting the gas with a flexible hose:

- Ensure the hose is long enough to allow for removal of cooktop for servicing.
- Ensure the connection is located as shown in 'Clearance dimensions'.
- The hose assembly must be AS/NZ 1869 Class B or D certified, with an Rp 1/2" (ISO7-1) female thread connection.
- Note the replacement date on hose if applicable.
- The hose assembly must not be longer than 1.2m in length with minimum internal diameter of 10mm and comply with relevant AS 5601/NZS 5261 requirements.
- Ensure the hose is not kinked, and not subjected to abrasion or permanently deformed.
- Ensure the hose is not near or in contact with any hot surfaces (eg base of metal hotplate, flue, or chassis of underbench oven, etc).

LEAK TESTING



- Ensure all dials are set to **OFF** before connecting cooktop to gas supply.
- After final gas connection is made, turn gas supply on and test all connections in gas supply piping for gas leaks with a soapy water solution.
- In order to avoid property damage or serious personal injury, never use a match or open flame. If a leak is present, tighten joint or unscrew, apply more joint compound, tighten again and retest connection for leak.

ELECTRICAL CONNECTION

Before connecting the cooktop to the mains power supply check that:

- The domestic wiring system is suitable for the power drawn by the cooktop.
- The voltage corresponds to the value given in the rating plate.
- The power supply cable sections can withstand the load specified on the rating plate.

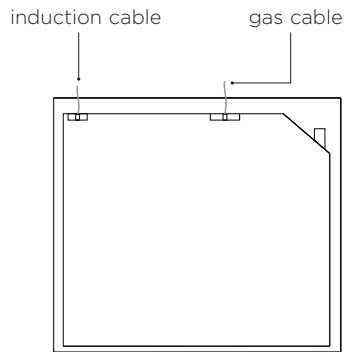
MODEL	MAX. CURRENT DRAW	MAX. LOAD	VOLTAGE
CGI603D*	16A	3700W	220-240V 1N -
CGI905D	30A	7000W	220-240/380-415V 2N -

*The CGI603D comes supplied with a cable. This must be wired into a suitably rated plug, permanent connection outlet or power isolator

CONNECTION LOCATIONS

CG603D models

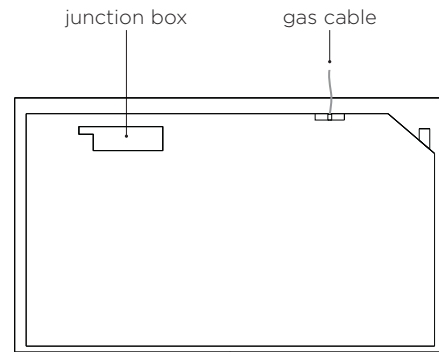
Both supplied cables must be plugged in to allow use of the induction and gas cooking surfaces.



BASE

CG905D models

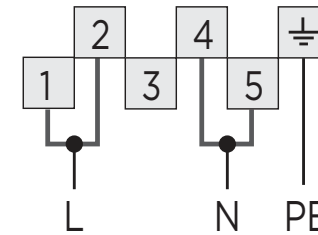
CGI905 models must be both plugged in and hard-wired to allow use of the induction and gas cooking surfaces.



BASE

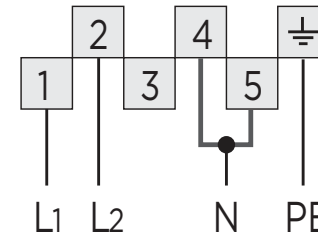
CGI905D SINGLE PHASE CONNECTION

220-240V~

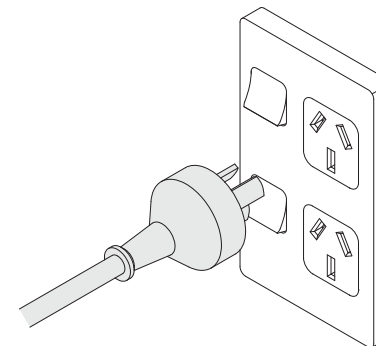


CGI905D TWO-PHASE CONNECTION

380-415V~

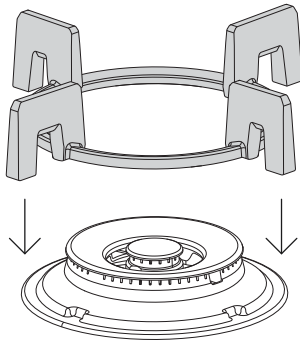


CABLE CONNECTION



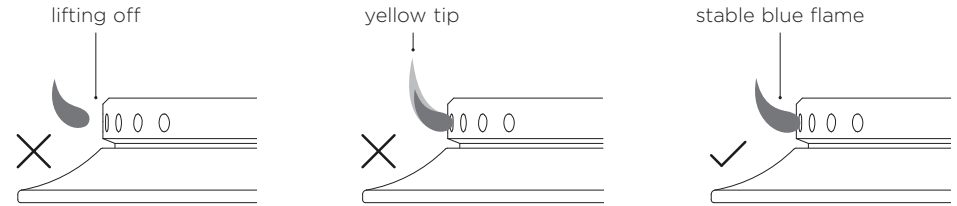
Connect the cooktop to the power supply and attach the duplicate data label to an accessible location.

ATTACH PAN SUPPORTS



Securely locate all pan supports ensuring they are installed in the correct orientation and do not rock.

TEST BURNERS



- To check that the ignition system operates correctly, light the burner.
- Check for a well-defined blue flame without any yellow tipping.
- If any abnormality is evident, check that the components of the burner assembly are located properly.
- No air shutter adjustment is possible on the cooktop. Correct operation is achieved with factory installed settings for the correct gas type.
- When installing the burner spreader, align the two location features in the bottom of the spreader with the locating notch in the top side of the burner base and make sure these are properly engaged.
- Incorrect installation may produce a potentially dangerous flame and result in poor burner performance.
- If proper operation cannot be obtained, contact Customer Care or your nearest Fisher & Paykel Authorised Service Centre.
- The cooktop must not be used until proper operation has been achieved.

INSTALLER CHECKLIST

TO BE COMPLETED BY THE INSTALLER

GENERAL

- Read safety and warnings in the user guide before operating the cooktop.
- Specified clearance maintained.
- Unit is level – front to back and side to side.
- All packaging materials have been removed.
- Dials turn correctly and freely.
- Touch controls and displays are functioning.
- Burner lights satisfactorily.
- Cooking zones are functioning correctly. Turn on all of them to a high setting and leave them on for at least one minute.
- There is a constant flow of cool air from the cabinetry to the base of the cooktop.
- Cooktop is securely clamped.

- Basic operation has been demonstrated to the customer.

GAS

- Manual gas shut-off valve installed in an accessible location.
- Unit tested and free of gas leaks.

ELECTRICAL

- Receptacle with correctly rated over-current protection is provided for service cord connection.
- Adequate ground connection.
- Power supply cable is not touching the cooktop and accessible.

Complete and keep for safe reference:

Model _____

Serial No. _____

Purchase Date _____

Purchaser _____

Dealer Address _____

Installer's Name _____

Installer's Signature _____

Installation Company _____

Installation Date _____

FISHERPAYKEL.COM

© Fisher & Paykel Appliances 2020. All rights reserved.

The models shown in this guide may not be available in all markets
and are subject to change at any time.

The product specifications in this guide apply to the specific products and
models described at the date of issue. Under our policy of continuous product
improvement, these specifications may change at any time.

For current details about model and specification availability in your country,
please go to our website or contact your local Fisher & Paykel dealer.

866343A 11.20