

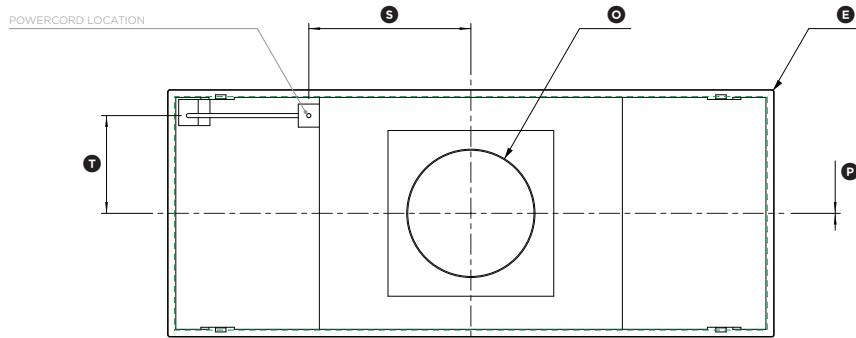
# FISHER & PAYKEL

## DATA SHEET Integrated Rangehood

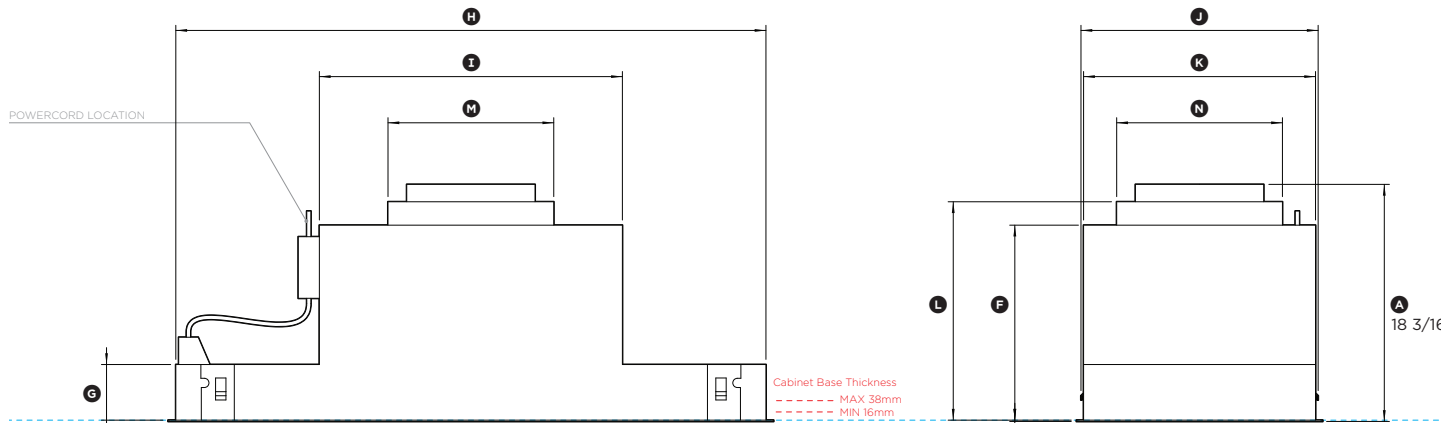
Model no:

**HPB4819-12**

(refer page 2 for metric measurements)

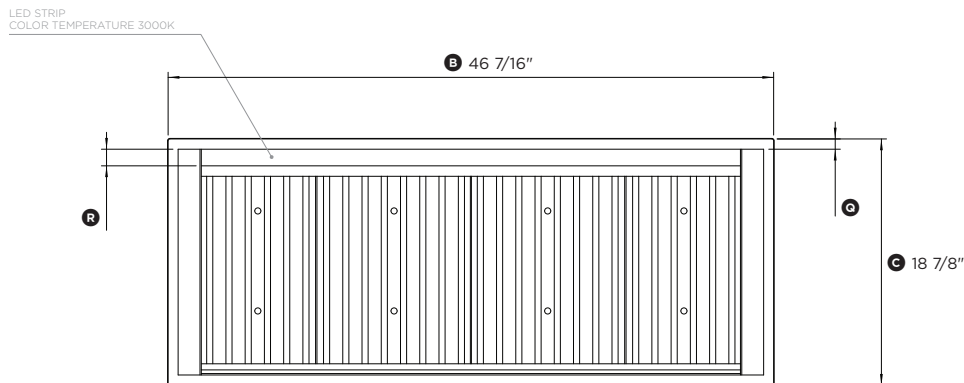


PLAN VIEW

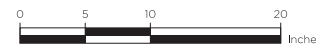


FRONT VIEW

PROFILE VIEW



BOTTOM VIEW



Product Dimensions	inches
Ⓐ Overall height of rangehood including duct adapter	18 3/16
Ⓑ Overall width of rangehood	46 7/16
Ⓒ Overall depth of rangehood	18 7/8
Ⓓ Thickness of flange	3/32
Ⓔ Corner radius of flange	1/8
Ⓕ Overall height of chassis excluding duct adapter	15
Ⓖ Height of chassis at side	4 1/4
Ⓗ Overall width of chassis	45 1/4
Ⓙ Width of chassis blower housing	23 1/4
Ⓚ Depth of chassis including mounting brackets	18 3/16
Ⓛ Depth of chassis excluding mounting brackets	17 13/16
Ⓜ Height from top of flange to horizontal surface of duct adapter	16 13/16
Ⓝ Width of duct adapter	12 3/4
Ⓟ Depth of duct adapter	12 3/4
Ⓠ Outside diameter of duct adapter	9 13/16
Ⓡ Offset of duct adapter forward from centre	0
Ⓢ Distance from front of flange to LED strip	13/16
Ⓣ Depth of LED strip	1 1/4
Ⓤ Width from centreline to powercord	12 7/16
Ⓡ Depth from centreline to powercord	7 5/8

Cutout Dimensions	inches
Width of cutout (centred to product)	45 1/2
Depth of cutout (centred to product)	17 15/16
Thickness of cabinetry surface	5/8 - 1 1/2

Height from base of product to cooking surface	inches
Minimum - refer to cooktop/range specifications	
Maximum recommended	42

Electrical Requirements	
Supply	120V 60Hz
Service	15 amp circuit
LED color temperature	3000K

Unit Weight	
	77lb

INDICATES PRODUCT DATUM -----  
 CUTOUT DIMENSIONS -----  
 INDICATES CABINETRY CLEARANCES -----

DATE: 18.05.2021

IMPORTANT NOTE: Throughout this guide, dimensions may vary by ±2mm (1/16"). Please read the installation manual for detailed information on installing the product. For full installation instructions & specifications visit [fisherpaykel.com](http://fisherpaykel.com)

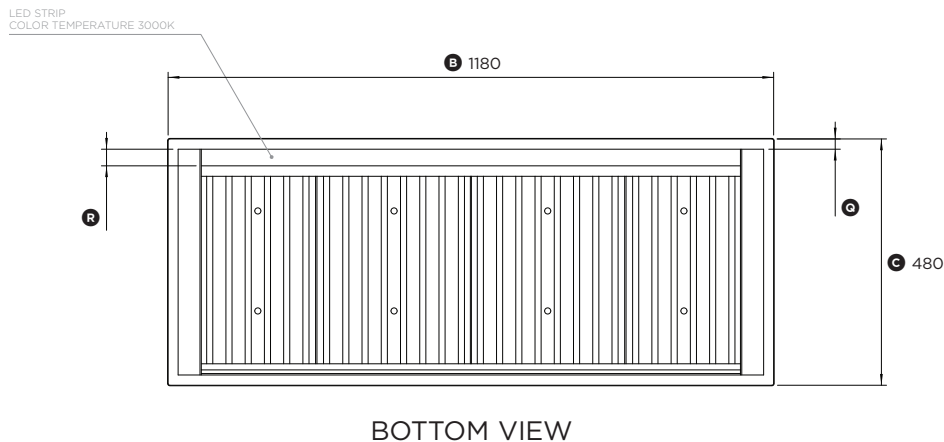
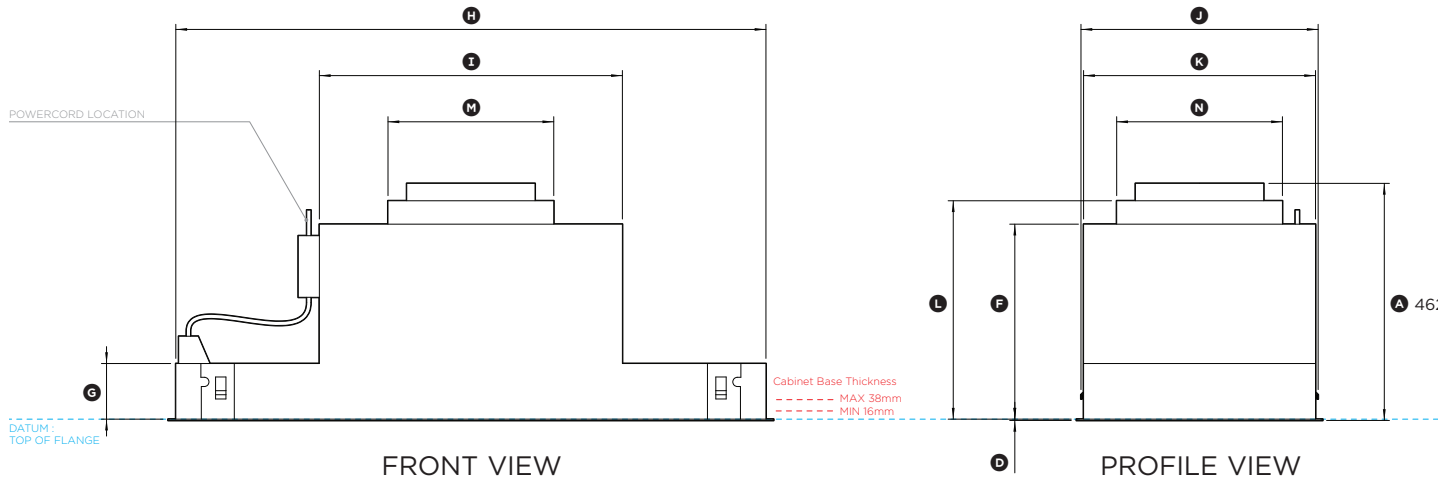
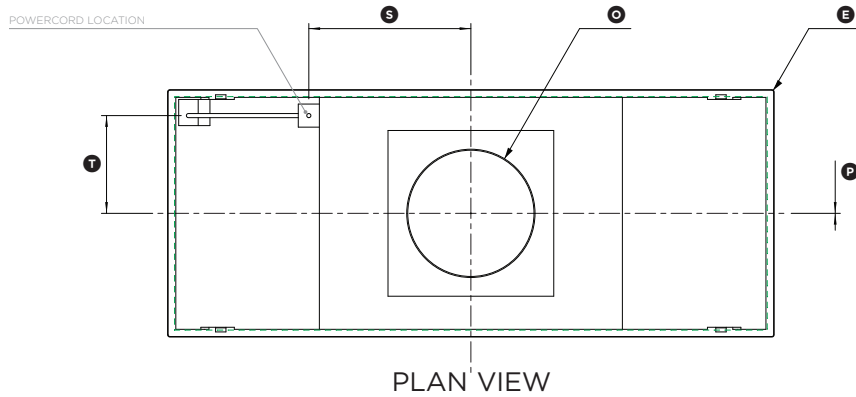
# FISHER & PAYKEL

## DATA SHEET Integrated Rangehood

Model no:

**HPB4819-12**

(refer page 1 for imperial measurements)



Product Dimensions	mm
Ⓐ Overall height of rangehood including duct adapter	462
Ⓑ Overall width of rangehood	1180
Ⓒ Overall depth of rangehood	480
Ⓓ Thickness of flange	2.5
Ⓔ Corner radius of flange	3.5
Ⓕ Overall height of chassis excluding duct adapter	380
Ⓖ Height of chassis at side	108
Ⓗ Overall width of chassis	1150
Ⓙ Width of chassis blower housing	591
Ⓚ Depth of chassis including mounting brackets	462
Ⓛ Depth of chassis excluding mounting brackets	452
Ⓜ Height from top of flange to horizontal surface of duct adapter	427
Ⓝ Width of duct adapter	323
Ⓟ Depth of duct adapter	323
Ⓠ Outside diameter of duct adapter	250
Ⓡ Offset of duct adapter forward from centre	0
Ⓢ Distance from front of flange to LED strip	20
Ⓣ Depth of LED strip	32
Ⓤ Width from centreline to powercord	316
ⓗ Depth from centreline to powercord	194
Cutout Dimensions	mm
Width of cutout (centred to product)	1155
Depth of cutout (centred to product)	455
Thickness of cabinetry surface	16-38
Height from base of product to cooking surface	mm
Minimum - refer to cooktop/range specifications	
Maximum recommended	1067
Electrical Requirements	
Supply	120V 60Hz
Service	15 amp circuit
LED color temperature	3000K
Unit Weight	35kg

INDICATES PRODUCT DATUM -----  
CUTOUT DIMENSIONS -----  
INDICATES CABINETRY CLEARANCES -----

DATE: 18.05.2021

IMPORTANT NOTE: Throughout this guide, dimensions may vary by ±2mm (1/16"). Please read the installation manual for detailed information on installing the product. For full installation instructions & specifications visit [fisherpaykel.com](http://fisherpaykel.com)