

F I S H E R & P A Y K E L

INTEGRATED FRENCH DOOR REFRIGERATOR-FREEZER

RS80A, RS80AU, RS90A
& RS90AU models

INSTALLATION GUIDE

NZ AU UK IE

CONTENTS

Safety and warnings	4	Electrical and plumbing	17
Supplied parts	5	Before installation	19
Tools	6	Cavity preparation	21
Door panel sets	7	Water and power supply connection	22
Door handle sets	7	Installation preparation	24
Product dimensions	8	Aligning into cabinetry	25
Cabinetry dimensions	9	Door panel installation — stainless steel	26
Door and toe kick panel dimensions	10	Door panel installation — custom	30
Custom door panel installation dimensions — RS80	11	Fixing to cabinetry	36
Custom door panel installation dimensions — RS90	13	Water filter installation	37
Custom door panel installation dimensions — RS90	14	Toe kick installation	38
Custom door panel installation template	15	Covers and trims installation	39
Door clearance	16	Final checklist	40

⚠ WARNING!



Electric Shock Hazard

Failure to follow this advice may result in electrical shock or death.

- Read and follow the safety and warnings outlined in this User guide before operating this appliance.

⚠ WARNING!



Cut Hazard

Failure to use caution could result in injury.

- Take care: panel edges may be sharp.
- Do not put fingers in the drawers when closing.

⚠ WARNING!



Tip Hazard

- This product may tip. Keep children away and take care. Failure to follow this advice may result in injury.
- This appliance is top-heavy and must be secured to prevent the possibility of tipping forward.

To ensure that the appliance is stable under all loading conditions:

- The anti-tip bracket and fittings supplied must be installed by a professional installer according to the installation steps in this guide.

READ AND SAVE THIS GUIDE

- It is very important for the installer to follow the instructions in this installation guide to ensure proper installation and operation of the appliance. Ensure that you read the installation guide thoroughly and understand all information.
- The water connection to your Ice and water appliance must be installed by a qualified plumber or Fisher & Paykel trained and supported service technician and comply with all state and local laws.
- Installation and use MUST comply with all state and local plumbing codes. Check with your local public works department for plumbing codes. You must follow their guidelines as you install the water filtration system.

WARNING!

To avoid serious illness or death, only connect your water filter to safe drinking water.

- The water filter cartridge needs to be changed when the replacement indicator icon illuminates. This will happen every 6 months.
- If the water filtration system has been allowed to freeze, replace filter cartridge. Failure to replace the disposable filter at recommended intervals may lead to reduced filter performance and failure of the filter, causing property damage from water leakage or flooding.
- In cases of excessively reduced filter life — we recommend that you consult a local plumber or your water supplier for advice on suitable filtration requirements for the water supplied to your home.
- Filter replacement is the consumer's responsibility and will not be covered by the warranty except in the case of faulty parts or materials within the filter cartridge.
- If the water has not created ice for some time or ice has an unpleasant taste or odor dispose of ice and refer to the flushing instructions detailed in the installation section of this user guide/installation guide. If unpleasant taste or odor persists, you may wish to fit a new filter cartridge.
- Use new tubing supplied with the appliance. DO NOT reuse old tubing from old water and ice connections.
- Your water filtration system can withstand up to 120psi (827kPa) of water pressure. Ensure the supplied pressure reducing valve is installed before installing the water filtration system. DO NOT install if water pressure exceeds 120psi (827kPa).
- To reduce the risk associated with property damage due to water leakage or flooding: DO NOT install systems in areas where ambient temperatures may go above 100°F (38°C) or drop below 33°F (0.6°C).
- DO NOT install on hot water supply lines. The maximum operating water temperature of this filter system is 100°F (38°C).
- DO NOT install where water hammer conditions may occur. If water hammer conditions exist, you must install a water hammer arrester.

WARNING!

To reduce the risk associated with choking:

- DO NOT allow children under 3 years of age to have access to small parts during the installation of the water filter.

SUPPLIED PARTS

INSTALLATION KIT (INTERNAL BOX)

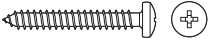
Anti-tip bracket assembly kit



Anti-tip bracket
(1x)



Masonry plug
(4x)



#10x40 cross-head screw
(4x)

Door panel attachment kit



Side bracket
(10x)



Side strap
(10x)



#8x16 countersunk screw
(36x)

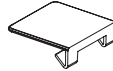
Door/drawer trim install kit



Dual adhesive tabs (6 per each strip)
(12x)



Side cover
(4x)



Top cover
(2x)

Install fasteners kit



#15x10 cross-head screw
(10x)



#8Gx19 twin thread screw
(2x)

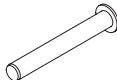


#8Gx16 flat head screw (2)
Not used for this model



#12x12 Countersunk screw (2)
Not used for this model

Miscellaneous components

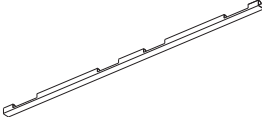


Hinge limiting pin
(1x)

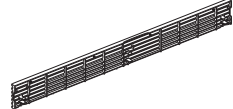


Power cord/water tube clip
(2x)

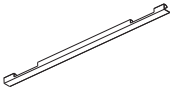
TRIMS INSTALL KIT (EXTERNAL BOX)



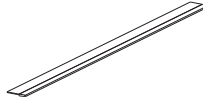
Door side trim
(2x)



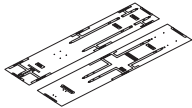
Toe kick grille
(1x)



Drawer side trim
(2x)



Drawer top trim
(1x)

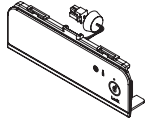


Double-sided door panel template
(1)

SUPPLIED PARTS

ICE & WATER DISPLAY

Ice and Water models only



External display module (1x)

MISCELLANEOUS ITEMS (MI) PACK



Installation guide



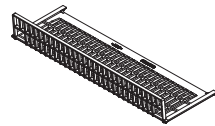
User guide



Service & Warranty



Collet locking clip (1x)



Toe kick filter (1x)



Water filter (1x)



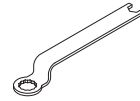
Filter cartridge tool (1x)



Water tap adaptor (1x)

TOOLS

SUPPLIED TOOLS

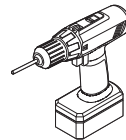


FPA spanner (1x)

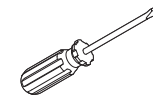


Hex key (1x)

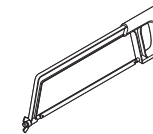
REQUIRED TOOLS



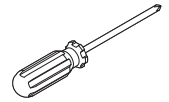
Water filter (1x)



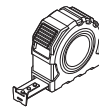
Flathead screwdriver



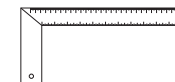
Hacksaw



Cross-head screwdriver



Measuring tape



Ruler



Pencil



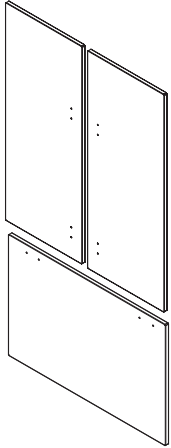
Cutter

DOOR PANEL SETS

STAINLESS STEEL PANEL

Supplied and must be purchased separately through an authorised Fisher and Paykel dealer. Visit fisherpaykel.com for more information.

Non-Water dispensing door panel set (RD80/RD90)

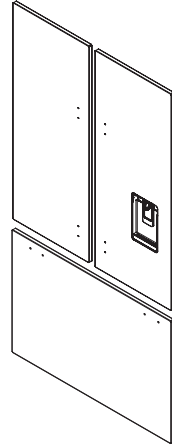


Includes:
French door panels (2x)
and Drawer panel (1x)

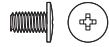


8Gx16 Mushroom
screw (32x)

Water dispensing door panel set (RD80/RD90)



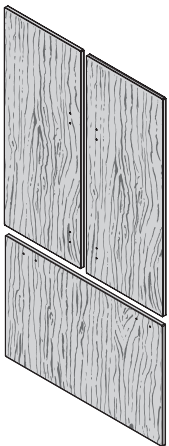
Includes:
French door panel with
water dispenser (1x),
French door panel (1x)
and Drawer panel (1x)



8Gx16 Mushroom
screw (32x)

CUSTOM PANEL

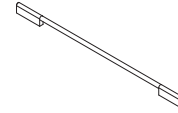
Must be supplied by the customer to match their cabinetry.



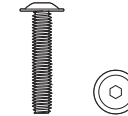
#8x16 countersunk screw (34x)
Included in Installation kit

DOOR HANDLE SETS

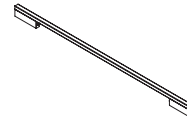
Not supplied and must be purchased separately through an authorised Fisher and Paykel dealer. Visit fisherpaykel.com for more information.



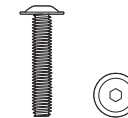
Contemporary round
door handle (3x)



M5x25 pan head
socket screw (12x)

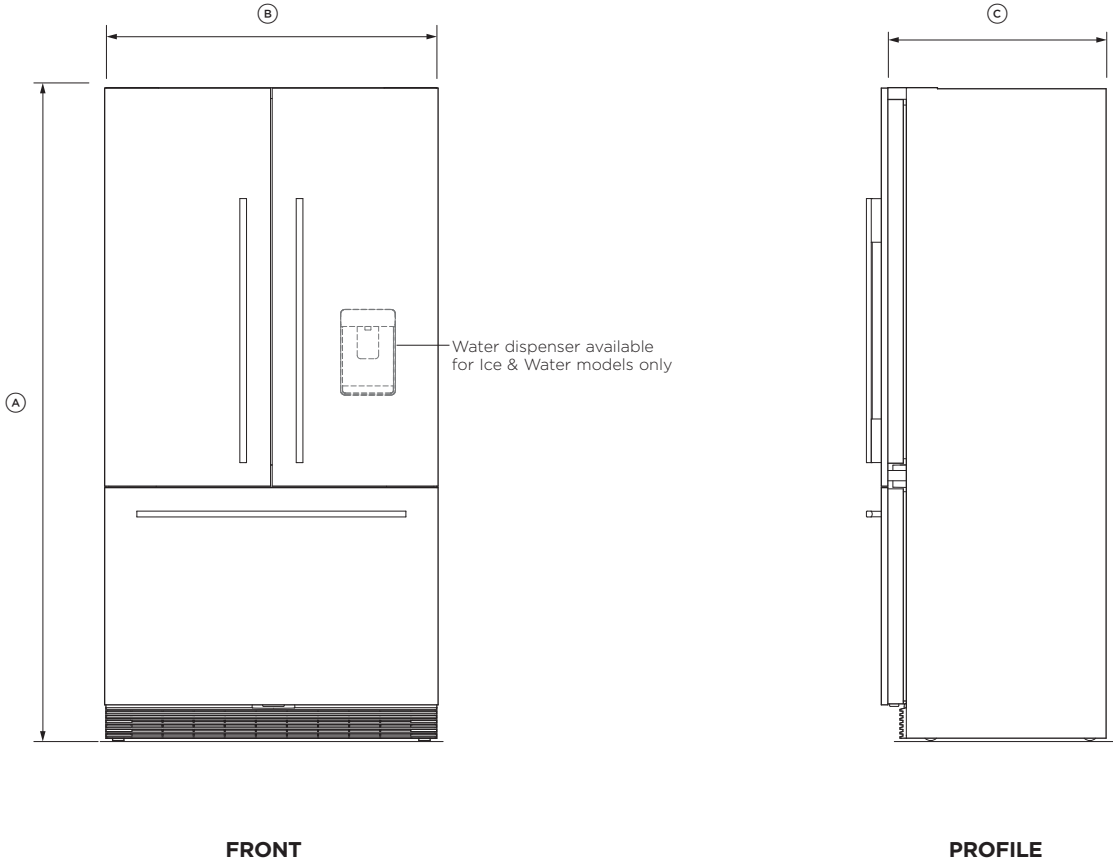


Contemporary square
door handle (3x)



M5x25 pan head
socket screw (12x)

PRODUCT DIMENSIONS

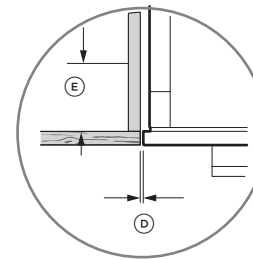
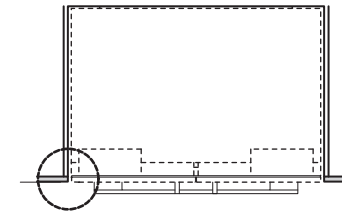
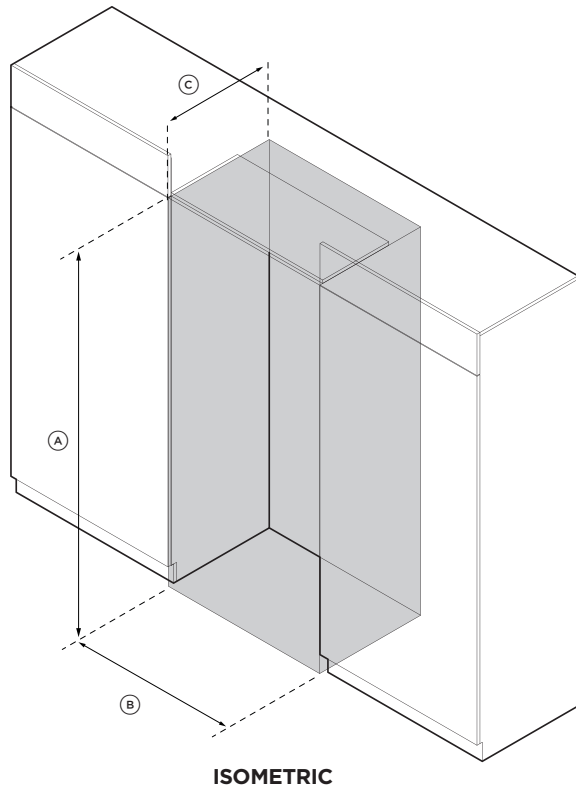


	RS80	RS90
PRODUCT DIMENSIONS	MM	MM
Ⓐ Overall height of appliance*	1798**	1798**
Ⓑ Overall width of appliance	796	896
Ⓒ Overall depth of appliance (excluding door panels)	604	604

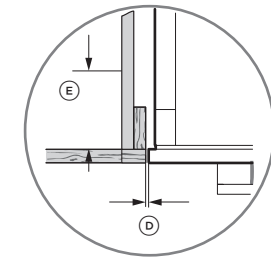
* Includes mounted rollers (max 20mm height adjustment).
 **Lowest height of appliance (R80 & R90) when feet are retracted.

CABINERY DIMENSIONS

For ease of installation, ensure cavity width is consistent top to bottom and height is consistent left to right.



Aligns the appliance with the cabinetry



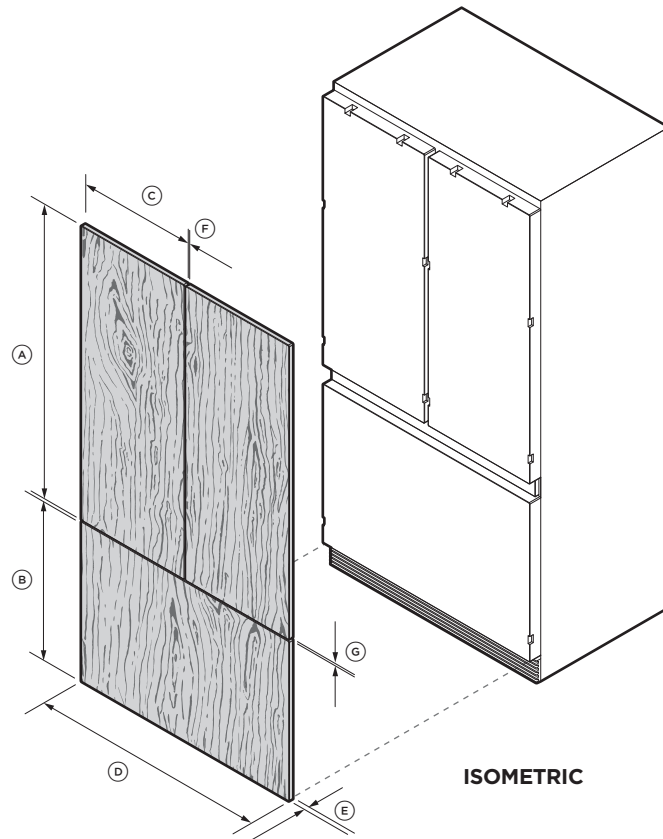
Aligns the appliance with the frame of cabinetry

CAVITY DIMENSIONS	RS80	RS90
	MM	MM
(A) Overall height of cavity	1800 / 1802*	1800 / 1802*
(B) Overall width of cavity		
when adjoining cabinetry can share 4mm door gap	800	900
when adjoining cabinetry cannot share 4mm door gap	804	904
(C) Overall depth of cavity	650	650
(D) Minimum cabinetry gap clearance from edge of appliance	4	4
(E) Minimum required finished return	89	89

* Cavity height must be 1802mm if total height of door panels = product height (1798mm) + cabinetry gap (4mm).

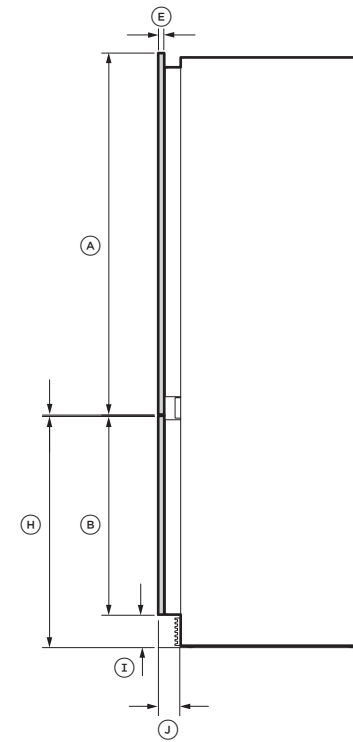
DOOR AND TOE KICK PANEL DIMENSIONS

Custom door panels can only be used for non-Water dispensing models.



ISOMETRIC

	RS80	RS90
DOOR PANEL DIMENSIONS	MM	MM
Ⓐ Height of top door panel	1096	1096
Ⓑ Height of bottom drawer panel	598	598
Ⓒ Width of top door panel	396	446
Ⓓ Width of bottom drawer panel	796	896
Ⓔ Depth of door and drawer panels (excluding handle)	18	18
Ⓕ Gap between top door panels	4	4
Ⓖ Gap between top door panels and bottom drawer panel	4	4
Ⓗ Height from bottom of appliance to top of drawer panel	698	698



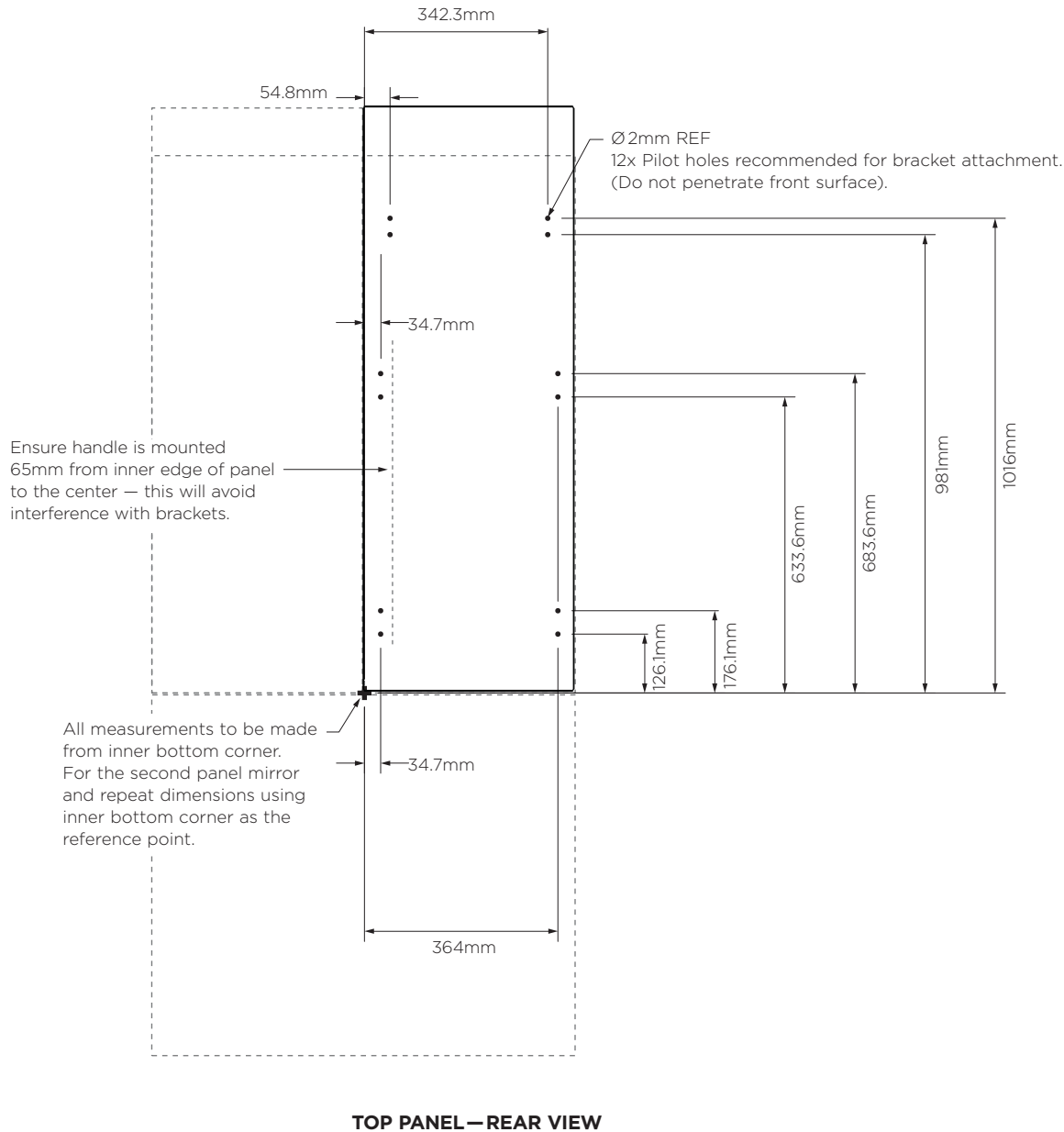
PROFILE

	RS80	RS90
TOE KICK PANEL DIMENSIONS	MM	MM
Ⓢ Height of grille/toe kick (from bottom of drawer to floor)	100	100
Ⓣ Depth of grille/toe kick (excluding front of door panel)	30	30

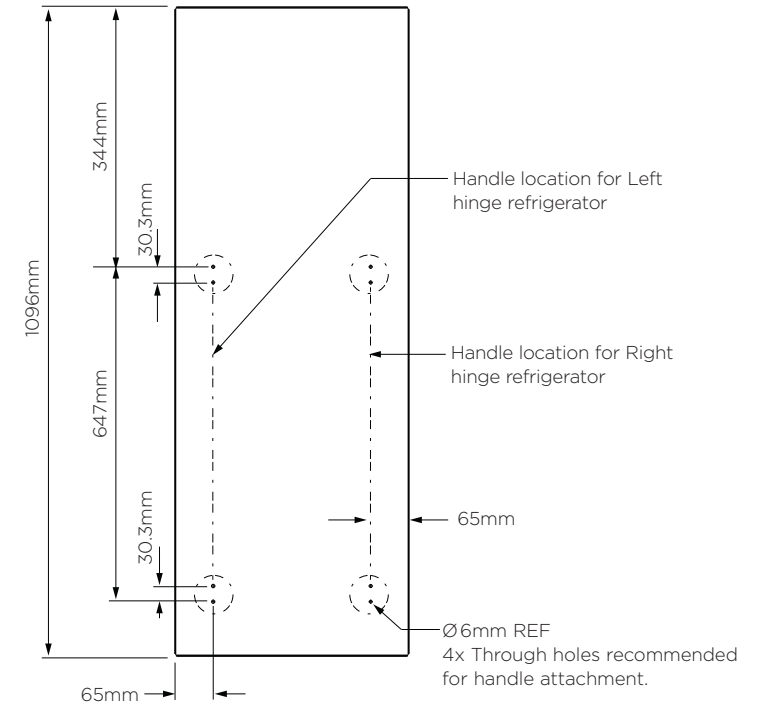
	KG	KG
DOOR PANEL WEIGHT		
Maximum weight of each top door panel (with handle)	10kg	10kg
Maximum weight of bottom drawer panel (with handle)	11kg	11kg

CUSTOM DOOR PANEL INSTALLATION DIMENSIONS — RS80

Dimensions apply for the preparation and installation of custom door panels.
 For Dwg and Dxf files of the below panel preparation download the folder on thekitchentools.fisherpaykel.com.

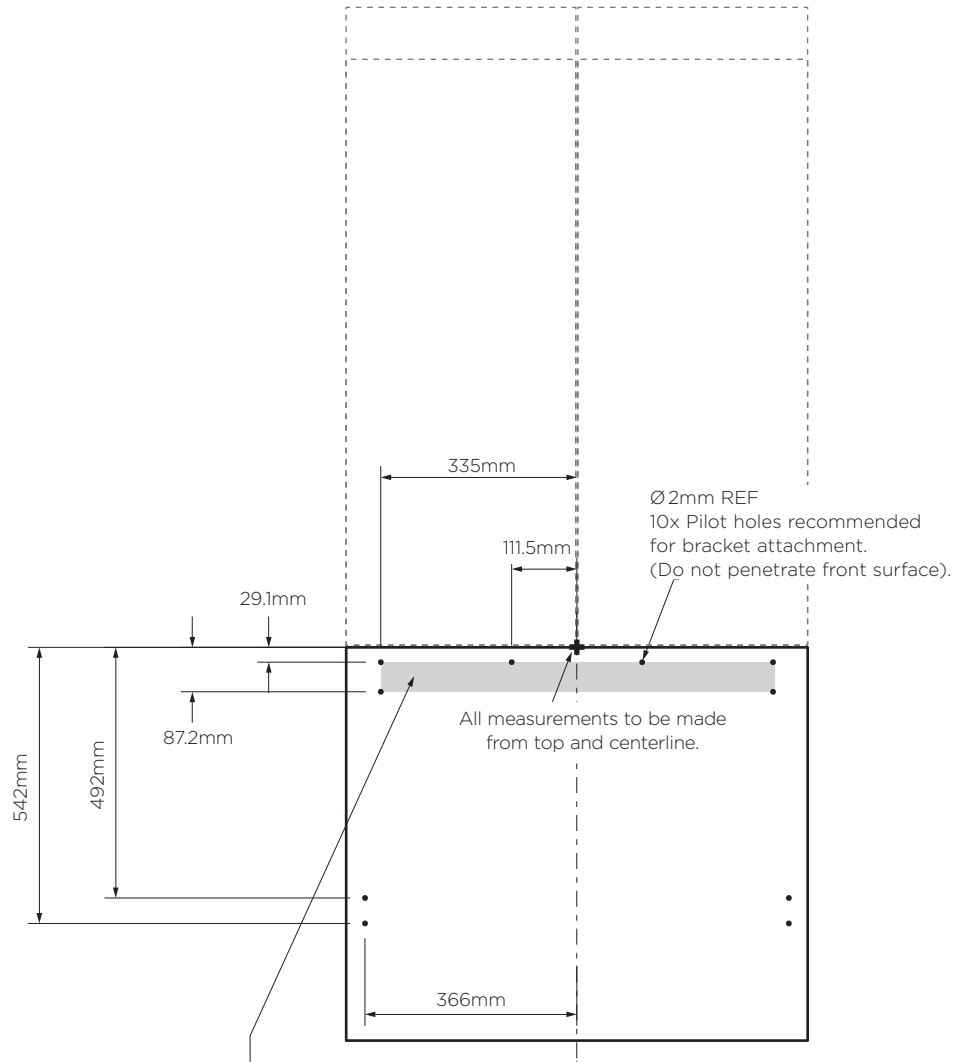


Recommended hole locations for installing Fisher & Paykel design handle.



CUSTOM DOOR PANEL INSTALLATION DIMENSIONS — RS80

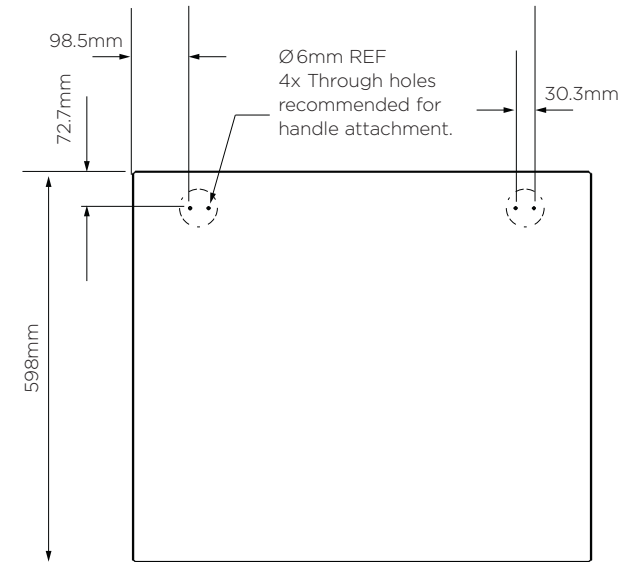
Dimensions apply for the preparation and installation of custom door panels.
 For Dwg and Dxf files of the below panel preparation download the folder on thekitchentools.fisherpaykel.com.



Cut outs are located in attachment bracket for Fisher & Paykel handles only.
 If locating custom handle in the shaded area above, ensure handle screw heads are counter sunk into back of panel to avoid interference with hanging bracket.

DRAWER PANEL — REAR VIEW

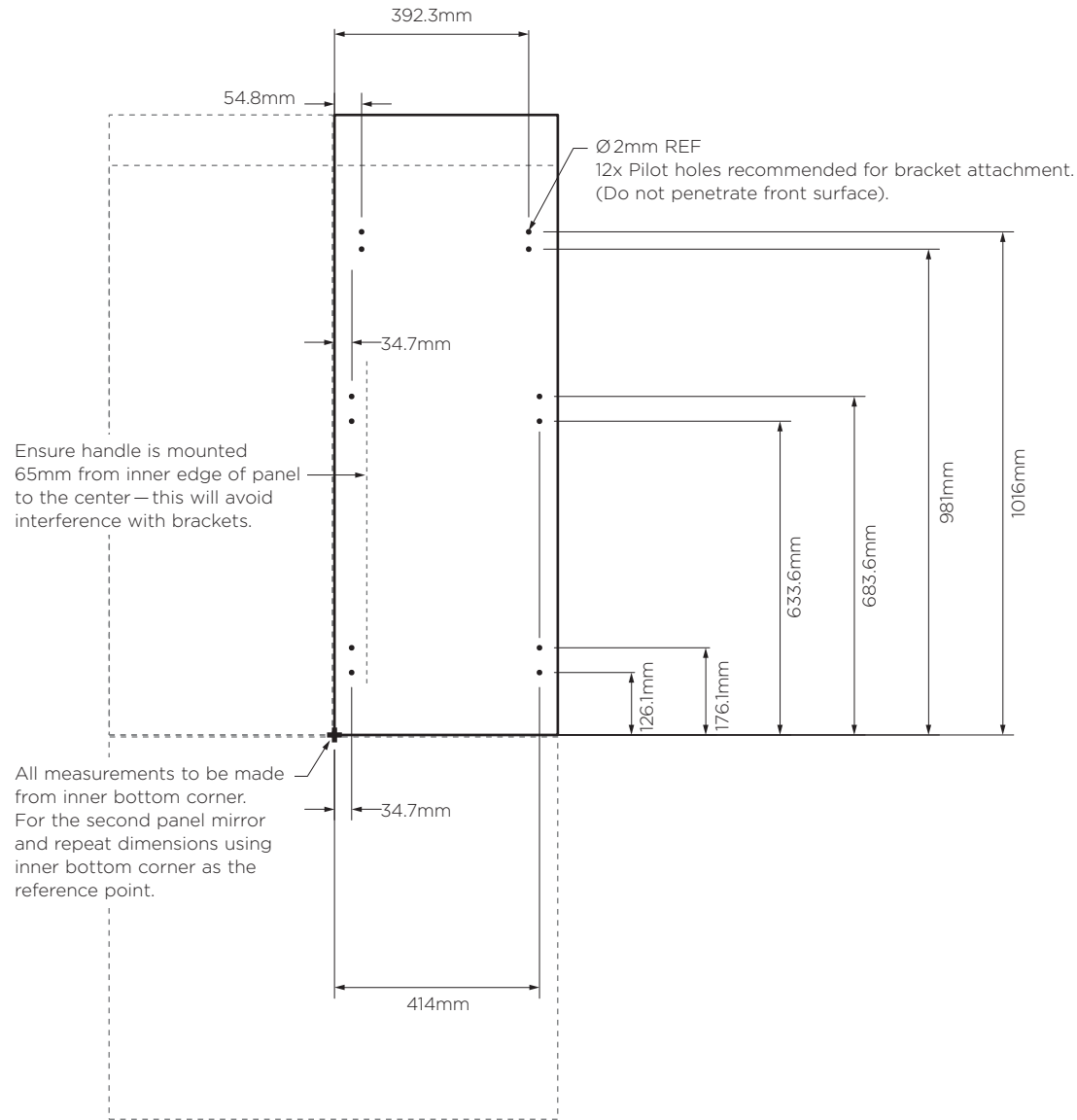
Recommended hole locations for installing Fisher & Paykel design handle.



DRAWER PANEL — REAR VIEW

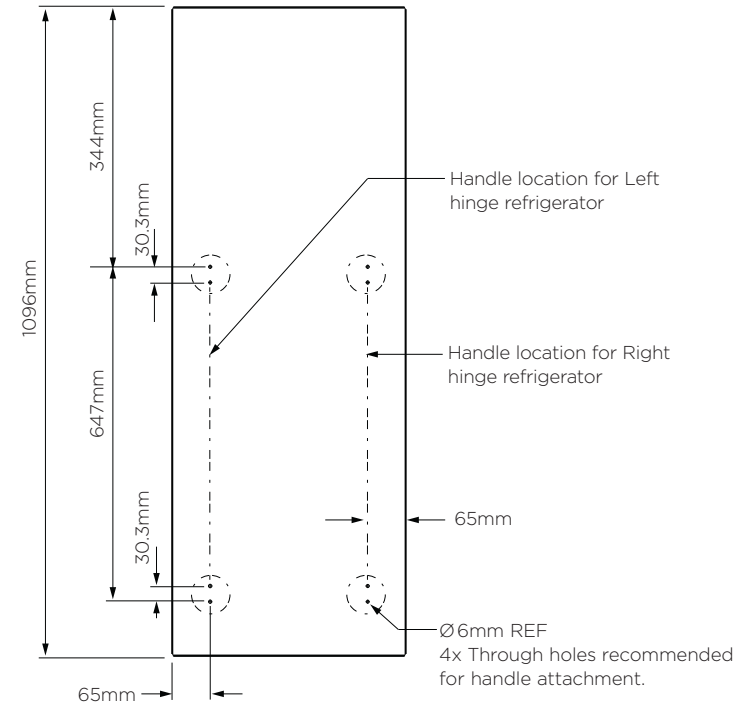
CUSTOM DOOR PANEL INSTALLATION DIMENSIONS – RS90

Dimensions apply for the preparation and installation of custom door panels.
 For Dwg and Dxf files of the below panel preparation download the folder on thekitchentools.fisherpaykel.com.



TOP PANEL – REAR VIEW

Recommended hole locations for installing Fisher & Paykel design handle.

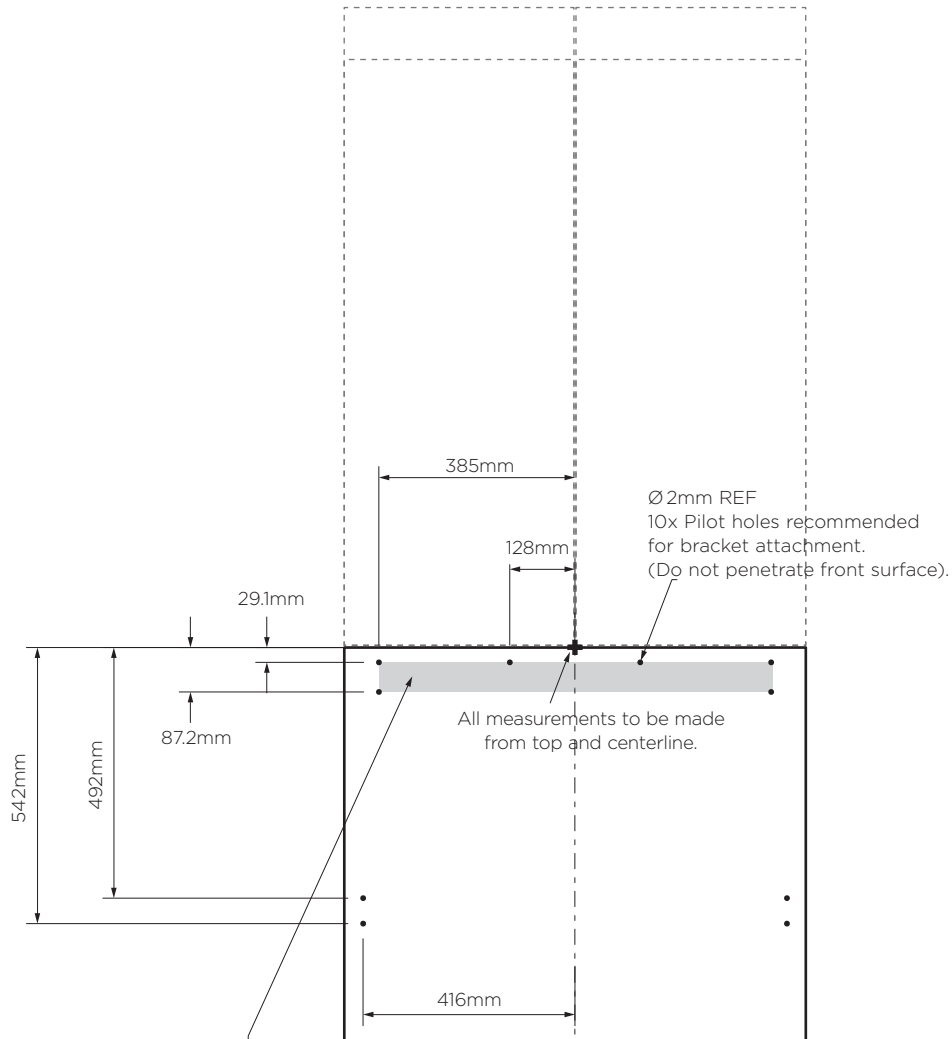


TOP PANEL – REAR VIEW

CUSTOM DOOR PANEL INSTALLATION DIMENSIONS — RS90

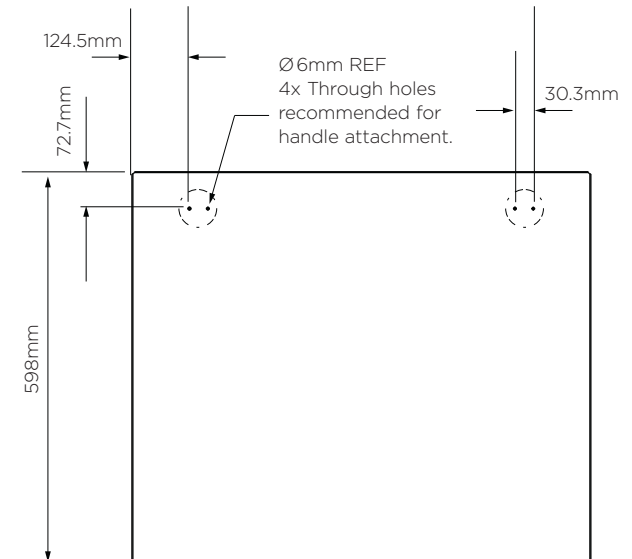
Dimensions apply for the preparation and installation of custom door panels.
 For Dwg and Dxf files of the below panel preparation download the folder on thekitchentools.fisherpaykel.com.

Recommended hole locations for installing Fisher & Paykel design handle.



Cut outs are located in attachment bracket for Fisher & Paykel handles only.
 If locating custom handle in the shaded area above, ensure handle screw heads are counter sunk into back of panel to avoid interference with hanging bracket.

DRAWER PANEL—REAR VIEW

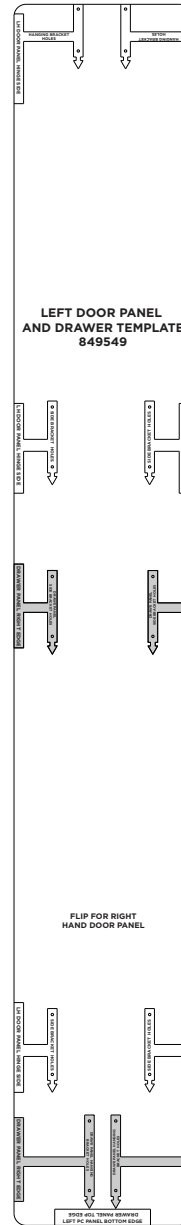


DRAWER PANEL—REAR VIEW

CUSTOM DOOR PANEL INSTALLATION TEMPLATE

This template is a single double-sided sheet used as a guide to drill screw holes for installing your Custom door and drawer panels. The actual template is included with this installation guide.

Refer to 'Attach the Stainless steel door panels', for more information.

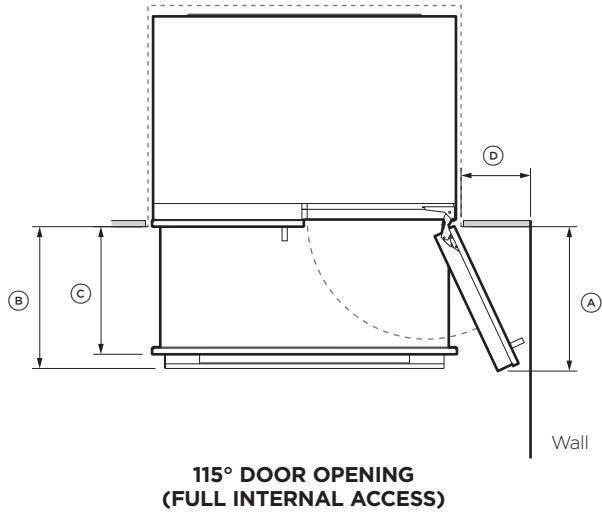


LEFT DOOR PANEL SIDE

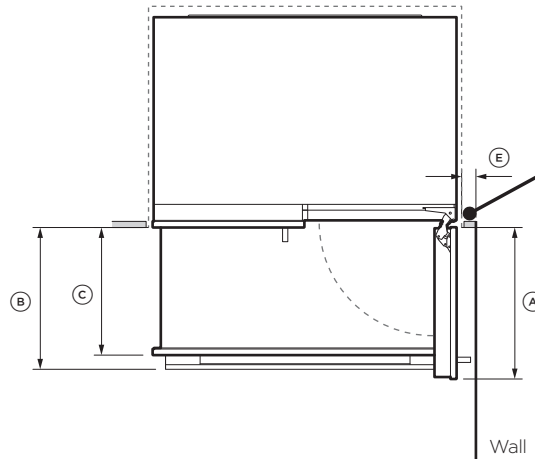


RIGHT DOOR PANEL SIDE

DOOR CLEARANCE



**115° DOOR OPENING
(FULL INTERNAL ACCESS)**



90° DOOR OPENING

Insert hinge limiting pin

WARNING!

- **Before opening the doors, ensure that the appliance is stable.**
- **Follow these steps to avoid risks that can cause serious injury or death.**

For 90° door swing, a hinge limiting pin is supplied with your appliance. This pin fits in the boreholes of the top hinge.

- ① Open door to 90°.
- ② Insert the hinge limiting pin vertically into the bore hole.
 - Apply a gentle tap to the pin if it does not slide smoothly.

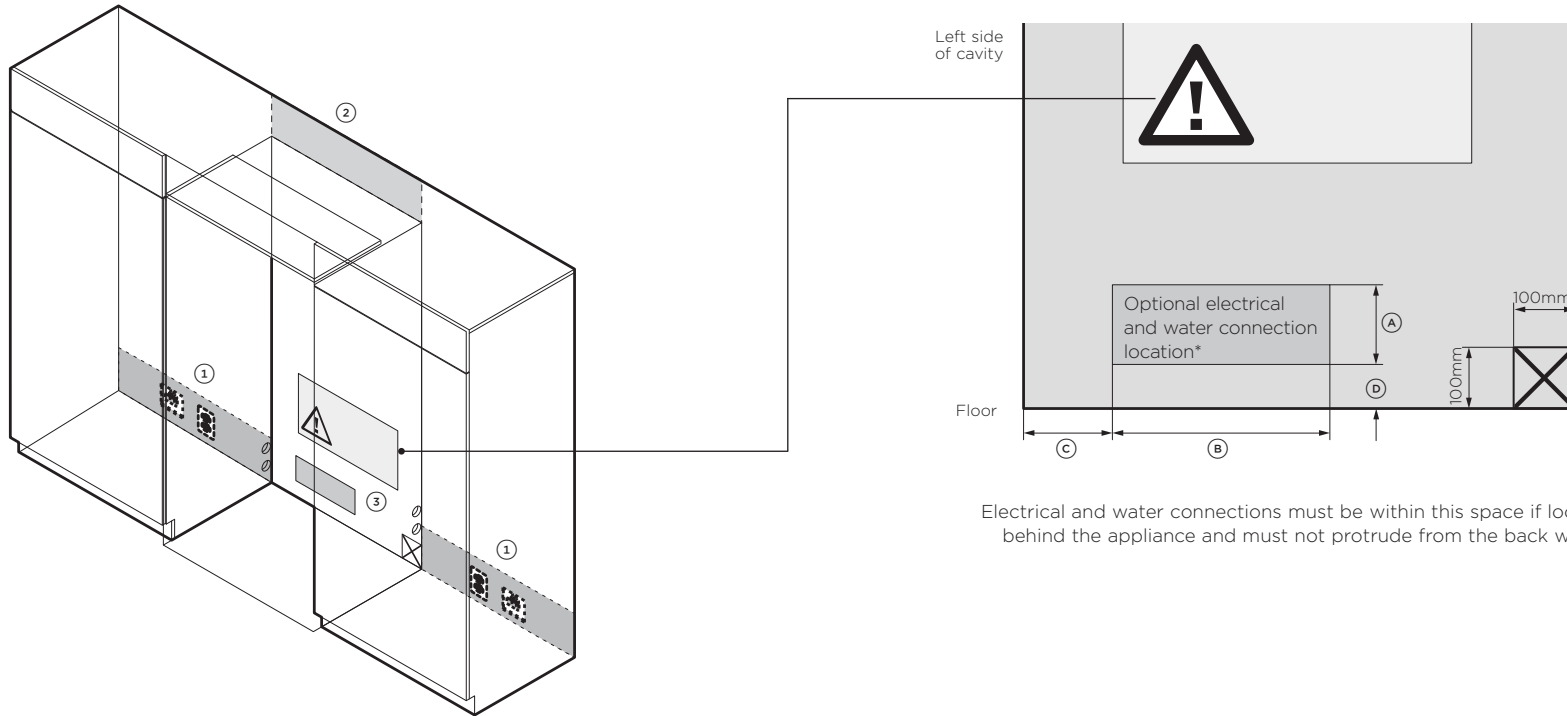
DOOR CLEARANCE DIMENSIONS	RS80	RS90
	MM	MM
Ⓐ Depth of door (widest opening) measured from front of door	395	445
Ⓑ Depth of drawer (open) measured from front of drawer, including handle	400	400
Ⓒ Depth of drawer (open) measured from front of drawer, excluding handle	360	360
Ⓓ Minimum door clearance* to adjacent wall (115° – full internal access)	280	300
Ⓔ Minimum door clearance* to adjacent wall (90° – reduced internal access)	100	100

* Measured from front cabinetry edge, includes 2mm cabinetry gap.

ELECTRICAL AND PLUMBING

WARNING!

- Electrical shock hazard. Assume all parts are live.
- Disconnect supply before servicing and installation.



Electrical and water connections must be within this space if located behind the appliance and must not protrude from the back wall.

ELECTRICAL AND PLUMBING CONNECTIONS

- ① Recommended location for connections in adjacent area or unit
- ② Alternative location for connections above the cavity
- ③ Alternative location for connections at rear of cavity

Electrical connection should be located in an adjacent cabinet to either side of the appliance or above the appliance cavity. We recommend to use an isolating switch that is easily accessible to the user after the appliance is installed.

ELECTRICAL AND PLUMBING DIMENSIONS	RS80	RS90
	MM	MM
Ⓐ Overall height of supply area	130	130
Ⓑ Overall width of supply area	275	355
Ⓒ Distance from left side of cavity	145	145
Ⓓ Distance from the floor	72	72

Note: Dimensions are based on minimum depth of cavity.

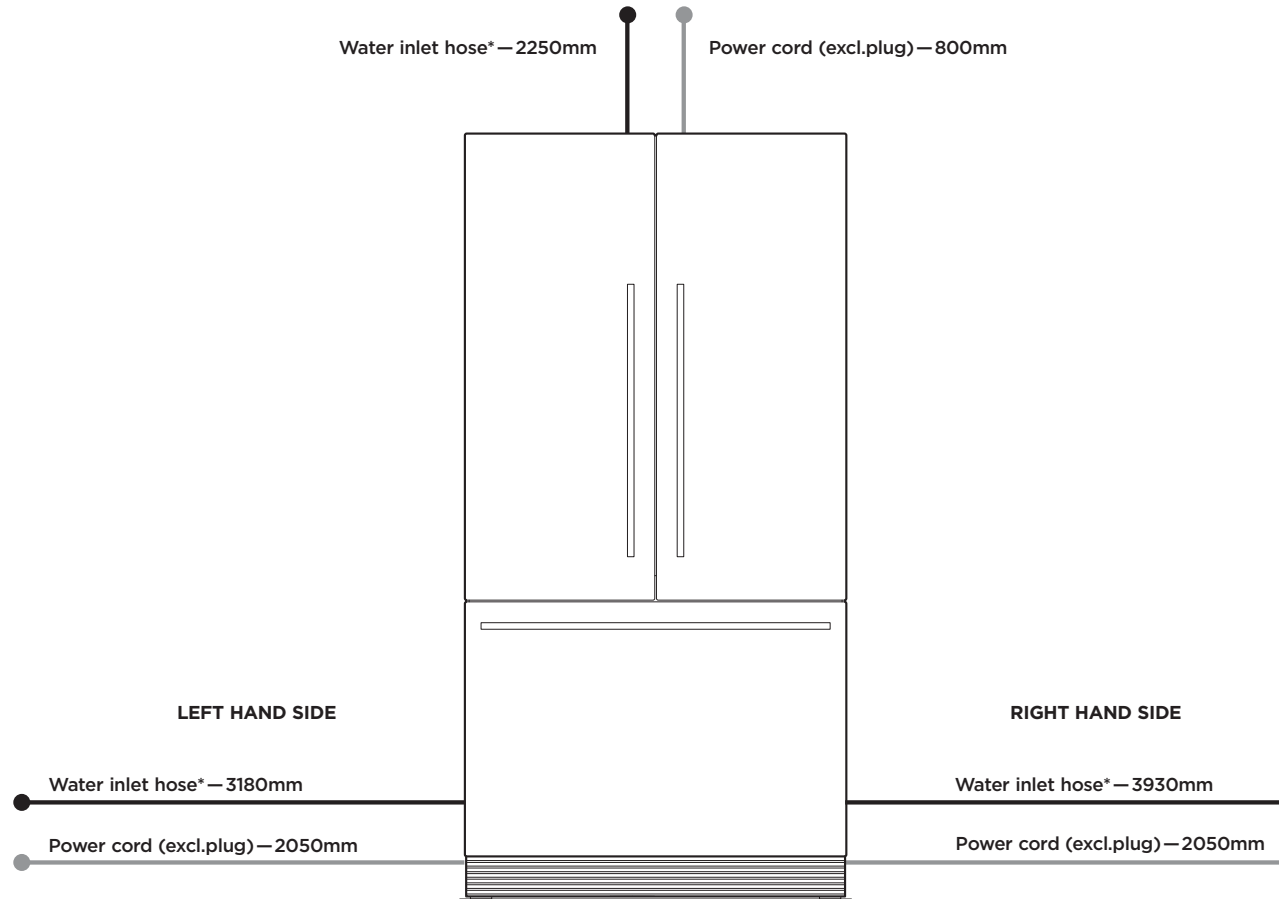
✗ Do not locate water or electricity in this area, keep clear of connections.

⚠ CAUTION: Central area can only fit water outlet and electrical plug if they are placed within a recessed cavity.

* In this location the water tap needs to be recessed into the wall, the recess must allow for an 80mm bend radius for the water tube.

ELECTRICAL AND PLUMBING

Maximum distance of hose and power cord



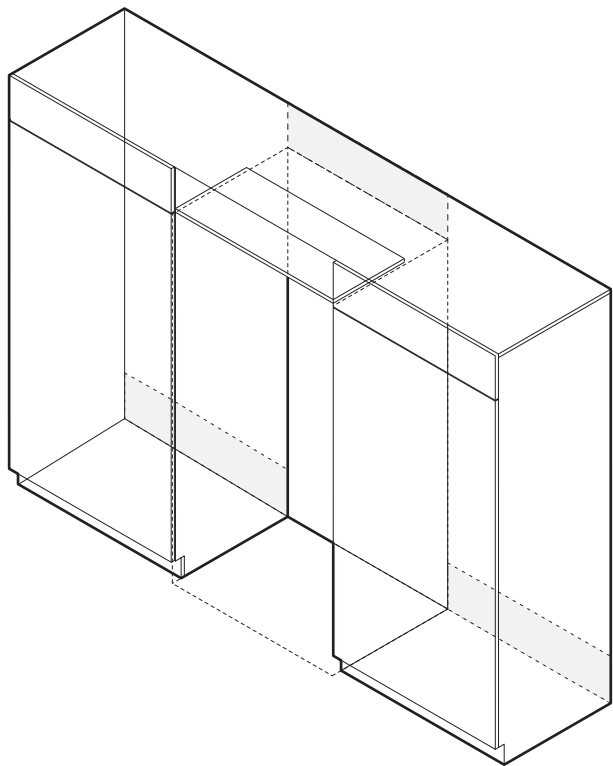
* Applicable to Ice and Water models only.

	RS80	RS90
ELECTRICAL SPECIFICATIONS		
Supply	230V, 50 Hz	230V, 50 Hz
Service	10 amp circuit	10 amp circuit

	RS80	RS90
PLUMBING SPECIFICATIONS		
Supply	13mm (1/2") or 19mm (3/4") BSP threaded water connection 6.35mm LLDPE tubing	13mm (1/2") or 19mm (3/4") BSP threaded water connection 6.35mm LLDPE tubing
Service	Minimum 22 psi (150 kPa) Maximum 120 psi (827 kPa) @ 20°C	Minimum 22 psi (150 kPa) Maximum 120 psi (827 kPa) @ 20°C

BEFORE INSTALLATION

- Your appliance is fitted with front and rear rollers designed for moving the appliance forward and backward. Do not move the appliance sideways as this may damage the rollers or the floor covering / surface.
- The appliance must be installed by a qualified installer, or Fisher & Paykel trained and supported service technician to avoid faulty electrical connection and water leaks.
- All connections for water, electrical power and grounding must comply with local codes and ordinances and be made by licensed personnel when required.
- Avoid installation of the appliance/s under a ground fault circuit interrupter (GFCI).
- Ensure the appliance is installed properly. Improper installation that results in appliance failure is not covered under the appliance warranty.



Check the cabinetry

- Check the dimensions—height, width, depth, floor level, finished alcove returns.
- Ensure that the ventilation openings in the cabinetry are clear of obstruction.
- For integrated installation, a finished return of solid material is required across the top and sides of the new or existing alcove.
- Refer to the 'Cabinetry dimensions' prior to installation of the appliance.

Check the power supply

- Ensure that there is a separate power outlet for the appliance.
- Avoid sharing the power point with other appliances to prevent the appliance from accidentally switching off.
- For power requirements, refer to the information on the serial plate. This is located at the front right-hand side of the drawer when open.
- Ensure your appliance is properly grounded (earthed).
- Connect the appliance to the electrical supply (230 VAC, 50 Hz) with fitted plug and lead.
- We recommend to use an isolating switch that is easily accessible to the user after the appliance is installed.
- Follow the National Electrical Code and all local codes and ordinances when installing this appliance.

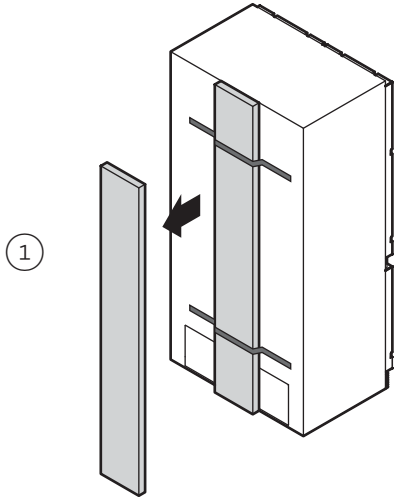
Check the water supply (for Ice and Water models only)

- Ensure that there is a separate water supply connection for the appliance.
- Your appliance must be installed by a qualified appliance installer as incorrect plumbing can lead to water leaks.
- Fisher & Paykel is not liable for damage (including water damage) caused by faulty installation or plumbing.

BEFORE INSTALLATION

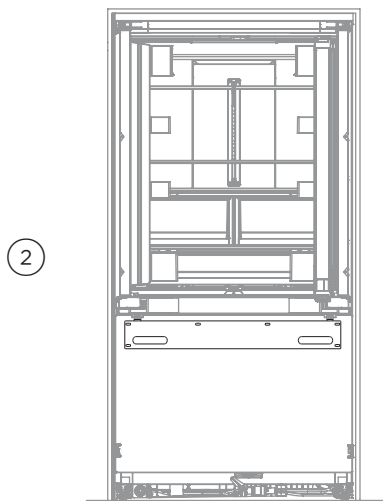
Check your appliance

Be careful when unpacking to prevent damage to the surface of your appliance. Ensure that the appliance is stable to prevent from tipping over when unpacking. Do not open the doors to prevent the appliance from tipping over. Ensure your appliance is the correct model as your order. Ensure components and install kits are complete.



Remove the trims kit from the back of the appliance. Refer to 'trims install kit (external box)' for part included in the box.

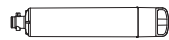
Be careful when removing the carton as the box may have dislodged from the rear of the appliance during transit.



Miscellaneous items pack



Installation kit

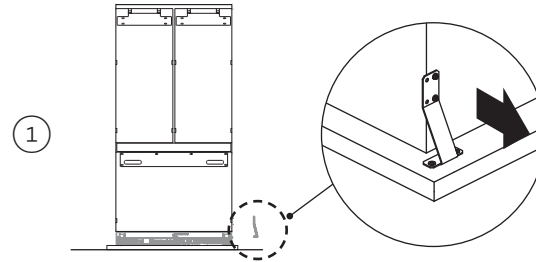


Water fittings & Water filter kits

Remove the water fittings and water filter kits, Installation kit, and Miscellaneous items pack from inside the appliance.

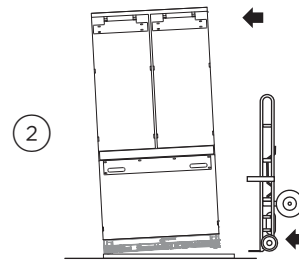
Move your appliance

The appliance is heavy and requires a minimum of two persons to unpack and install. Ensure that the feet of the appliance are retracted. If the appliance is damaged, contact your Fisher & Paykel dealer. Take note of your model and registration numbers located at the lower right side of the appliance. You will need these to request for servicing or repair of your appliance.



Remove the brackets from one side of the appliance. (For single door models, remove the brackets on the non-hinged side of the appliance.)

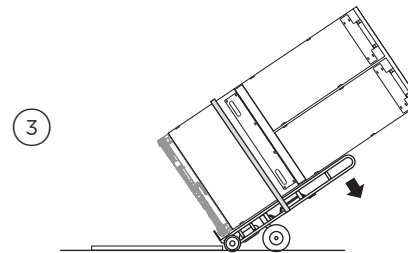
- Location of brackets depends on the model of your appliance.



Tilt the appliance slightly to the opposite side.

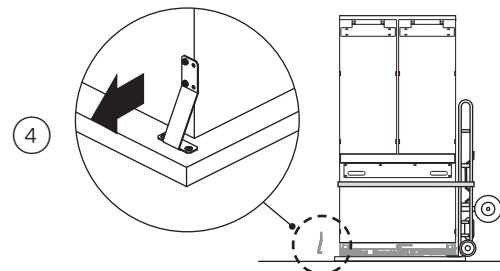
Insert the hand truck under the side of the appliance where the brackets were removed.

- Do not insert the hand truck to the front or back of the appliance.



Restrain the appliance to the cart with straps.

Remove the brackets on the other side of the appliance.



Tilt the appliance backward onto the cart.

Set aside the pallet and push the cart to the installation location.

CAVITY PREPARATION

Anti tip bracket kit



Anti-tip bracket (1x)

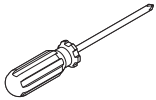


Masonry plug (4x)

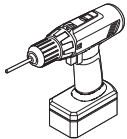


#10x40 cross-head screw (4x)

Tools



Cross-head screwdriver

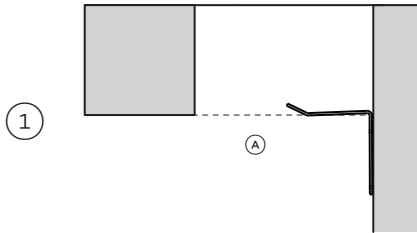


Powered driver (optional)



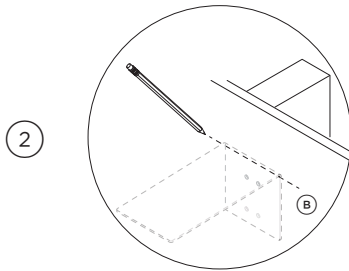
Pencil

- The anti-tip bracket and fittings supplied must be fitted to the wall of the finished enclosure to withstand 100kg load.
- Ensure that anti-tip bracket is installed correctly to prevent the appliance tipping forward when door is open.
- Ensure the bracket is secured to structural beams or wall studs nearest to the center of the alcove.



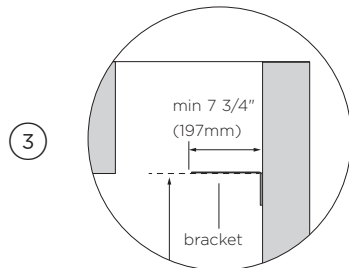
Project horizontally from the bottom edge of the finished enclosure towards the center of the back wall **(A)**.

This will locate the contact surface between the bracket and appliance.



Mark a horizontal line **(B)** at the back wall.

- Ensure there is a stud behind the wall.



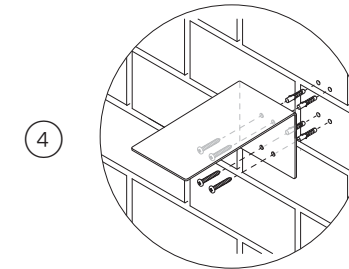
Place the bracket to the backwall. Align the undersurface of the bracket along the marked line.

Mark screw hole locations, and drill screw holes with powered drill.

WARNING!

Read the following before securing with masonry plugs and/or screws:

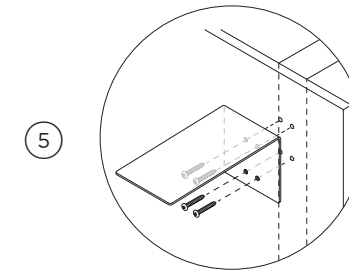
- Ensure the screws avoid electrical, gas and water conduits.
- Ensure lightweight masonry material such as cinder block and new concrete (no curing time) are not used in installation.
- Do not use metallic materials that may corrode, stain and/or damage the enclosure.



For solid wall installation

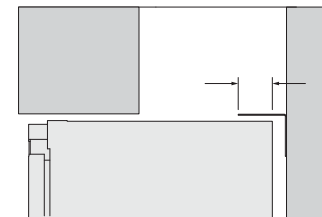
Drill holes suitable to the size of the masonry plugs.

Hammer masonry plugs into wall until flush. Fix bracket to wall with #10x40mm cross head screws, and screw tightly.



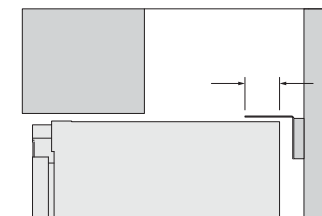
For plaster board wall

Fix the anti-tip bracket to the wall with #10x40mm cross head screws, and screw tightly with a screwdriver.



When rolling the appliance into the cabinetry, ensure the anti-tip bracket overlaps the back edge of the appliance.

- The bracket must overlap the appliance by a minimum 7 1/16" (180mm) for a secure hold.



If minimum 7 1/16" (180mm) overlap cannot be achieved, install a solid spacer to the wall stud behind the bracket.

- Be careful not to run over the power cord when rolling in the appliance.

WATER AND POWER SUPPLY CONNECTION

Water fittings kit

(Ice and Water models only)



Water tap adaptor
(1x)



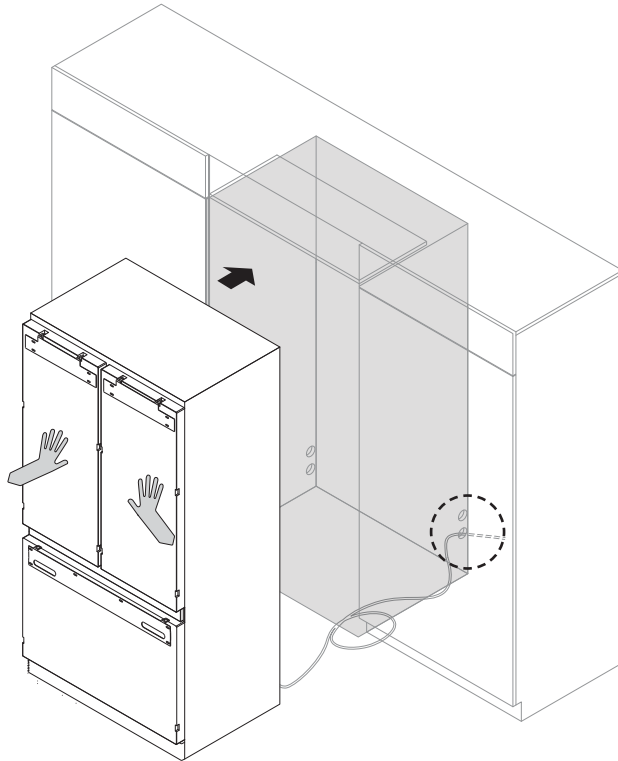
Collet locking clip
(1x)

Connect to water supply (Ice and Water models only)

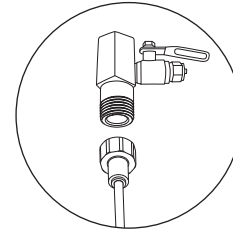
Water fittings are not supplied and must be purchased separately. The appliance comes with a pre-connected plastic water tubing.

Ensure there is enough tubing for the water connection and to pull the appliance out for service, if required.

Move the appliance in front of the cabinetry close enough that you still have access behind for power and water connections.

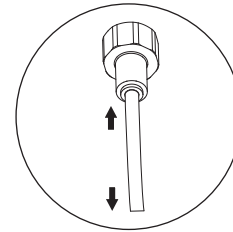


①



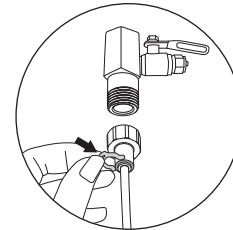
Connect the water tap adaptor to a water tap. Flush water through the hose prior to connection to the appliance to remove any debris in the hose.

②



Connect the free end of the plastic tubing fully into a water tap adaptor. Pull gently to ensure it is locked in.

③



Secure the connection with a locking key inserted between the water tap adaptor and locking collet.

WATER AND POWER SUPPLY CONNECTION

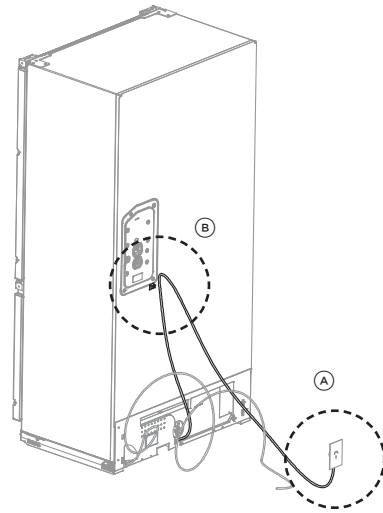
Internal box

Miscellaneous components

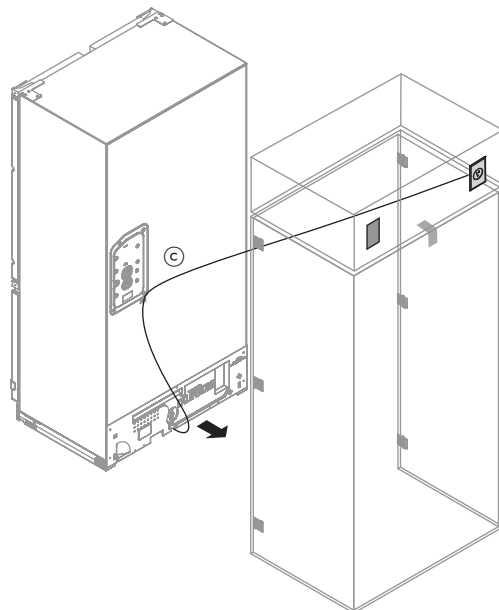


Power cord clip (2x)

Connect to power supply

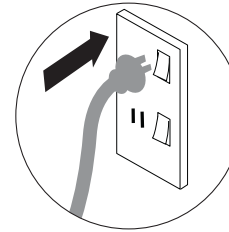


Connection at the back of the cavity



Connection above the cavity

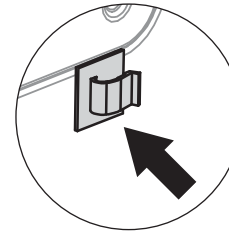
1



Locate the power cord and connect to the power outlet **(A)**. Turn ON the appliance.

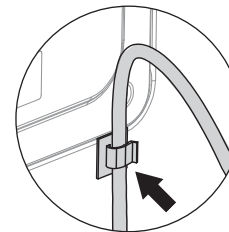
- We recommend to use an isolating switch that can be accessed easily after the appliance is installed.

2



Attach a power cord clip **(B)** to the back of your appliance.

3

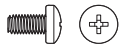


Secure the excess power cord length onto the clip. Be careful when pushing the appliance into position, to avoid roll over or damage to the power cord and/or water tubing.

Refer to 'Electrical and plumbing' for more information on recommended and alternative water and power connections.

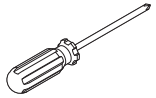
INSTALLATION PREPARATION

Install fasteners kit

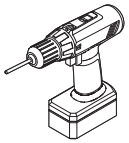


M5x10 cross-head screw
(10x)

Tools

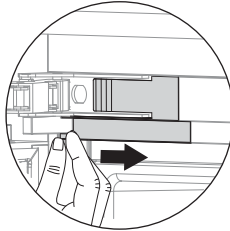
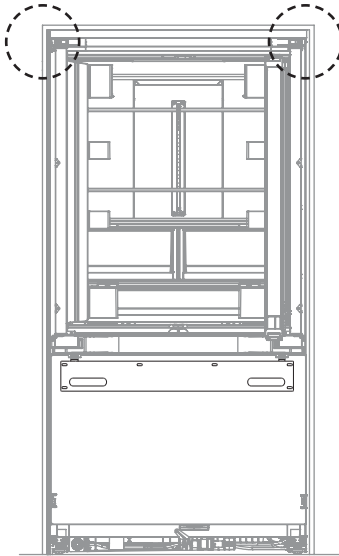


Cross-head screwdriver



Powered driver (optional)

- Be careful when working with the appliance outside of the finished enclosure.
- Ensure that the appliance is secured to prevent tipping forward.
- Tipping of appliance can lead to serious injury or death.
- Open the French doors carefully before removing the hinge end caps.



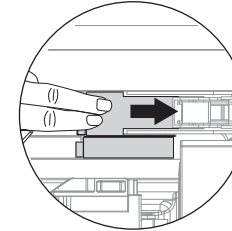
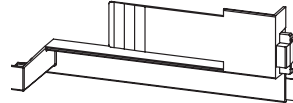
Remove left hinge end caps

Hold onto the corner of the end cap. Firmly push to the right to disengage the securing hook and pull down.



Pull cap gently towards the left hinge to remove.

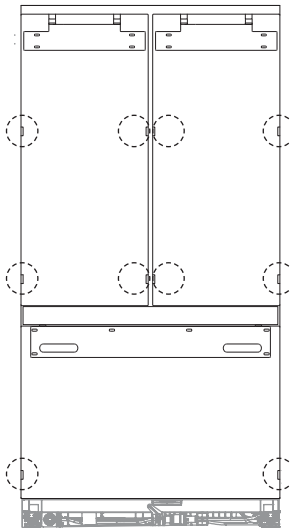
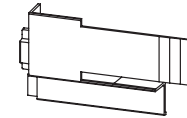
Keep the end hinge cap to reinstall later.



Remove right hinge end caps

Press on the center of the cap and push towards the right hinge to remove.

Keep the end hinge cap to reinstall later.



Loosely screw (1-2 turns) M5x10 cross-head screws into doors.

ALIGNING INTO CABINETY

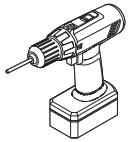
Tools



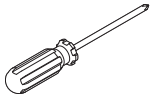
Hex key



Ruler

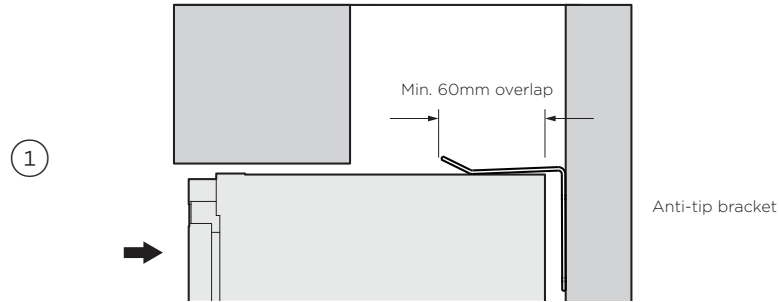


Powered driver (optional)



Cross-head screwdriver

- Your appliance has front and rear rollers to move easily forward and backward.
- Avoid moving the appliance in a sideways direction as this may damage the rollers or the floor covering/surface.
- Ensure the hose is not run over when pushing the appliance into the cabinetry to avoid damage and possible water leaks.
- Ensure water tubing is routed away from any sharp objects, sharp corners (beware of kinking the tube as this will stop water flow), and not in a location where it can be kinked or squashed.



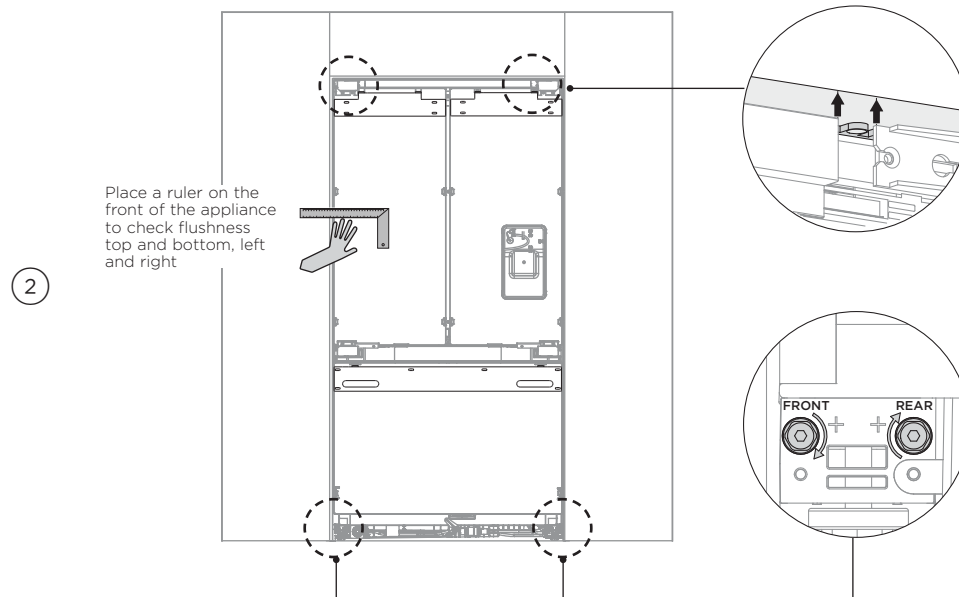
Position the appliance into the cabinetry

Push the appliance into the cabinetry until the anti-tip bracket overlaps the rear top edge of the appliance.

- Ensure the power cord is secured to the clip at the back of the appliance and the excess water hose coiled flat behind the appliance.
- Ensure the appliance is centered.
- Ensure there is firm contact between the appliance and anti-tip bracket with a min. 60mm overlap (C) for a secure hold.

Refer to 'Cavity preparation' for more information.

- Ensure all four corners of the appliance is supported firmly onto the floor to eliminate any movement.
- **DO NOT** install the appliance on a soft, uneven, or unlevelled floor to avoid twisting the appliance and poor door sealing.
- We recommend to use A 4mm hex key. One turn of height adjusting nuts is equivalent to 1mm height adjustment. Maximum height adjustment is 20mm.
- If using a powered driver, use low torque setting to avoid the nut disengaging from the rod and damaging the leveling system. If the nut disengages, use the hex key to realign with rod. Ensure that the top, bottom and side gap differences are not greater than 1.5mm to achieve correct alignment.
- Final alignment will be achieved once door panels have been installed and the appliance is pushed back to sit flush with the cabinetry.



Place a ruler on the front of the appliance to check flushness top and bottom, left and right

Align appliance inside the cabinetry

Centre the appliance within the alcove, using the adjacent walls as a guide.

Raise the front of the appliance until the fixing brackets contact the ceiling of the enclosure.

Turn the front and rear adjusting nuts clockwise to raise the roller or counter-clockwise to lower the roller.

- To achieve correct alignment between front of the doors and adjacent cabinetry panels, turn the adjusting nuts alternately between front and rear rollers.

Check the gaps top and bottom, left and right by placing a ruler on the front of the appliance.

- Ensure the gaps between appliance and adjacent cabinetry are even on both sides (C).
 - This step will help ensure the appliance is level with the adjacent cabinetry
- Gently push the front of the appliance to check the stability.

DOOR PANEL INSTALLATION – STAINLESS STEEL

Door panel attachment kit



Side bracket (10x)



Side strap (10x)

Door handle kit



M5x25 pan head socket screw (12x)

Door panel set

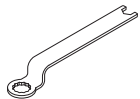


M5x14 mush cross-head (SS) screw (34x)

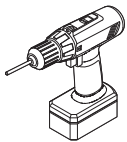
Tools



Hex key

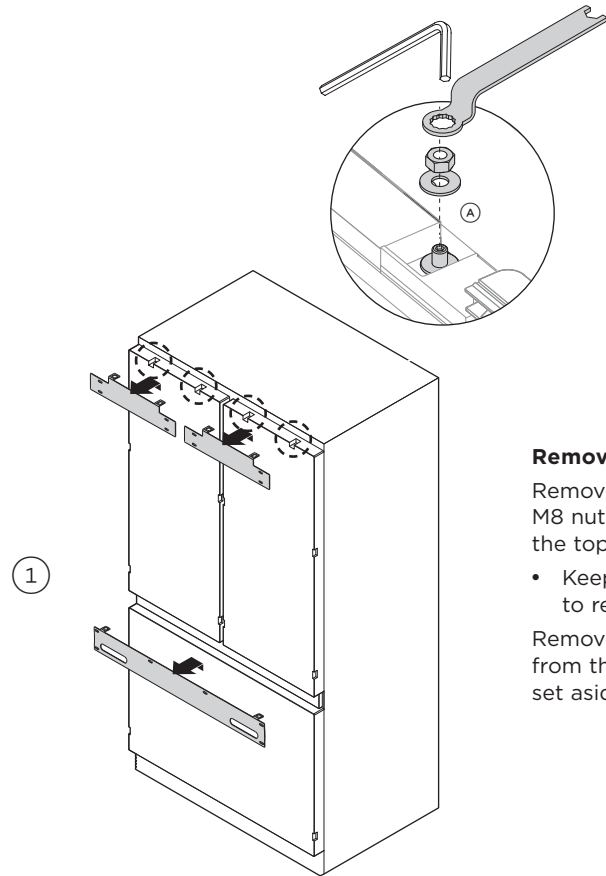


FPA spanner



Powered driver

- Follow these steps to avoid difficulties in door panel adjustment and cosmetic cap fitment.
- Ensure to protect the finish of the Stainless steel door panels.
- For non-water dispensing door panels: Leave the protective film on the panels when hanging and remove the film only when installation is complete.
- Door handle kit available and must be purchased separately. Refer to 'Supplied parts' for more details.

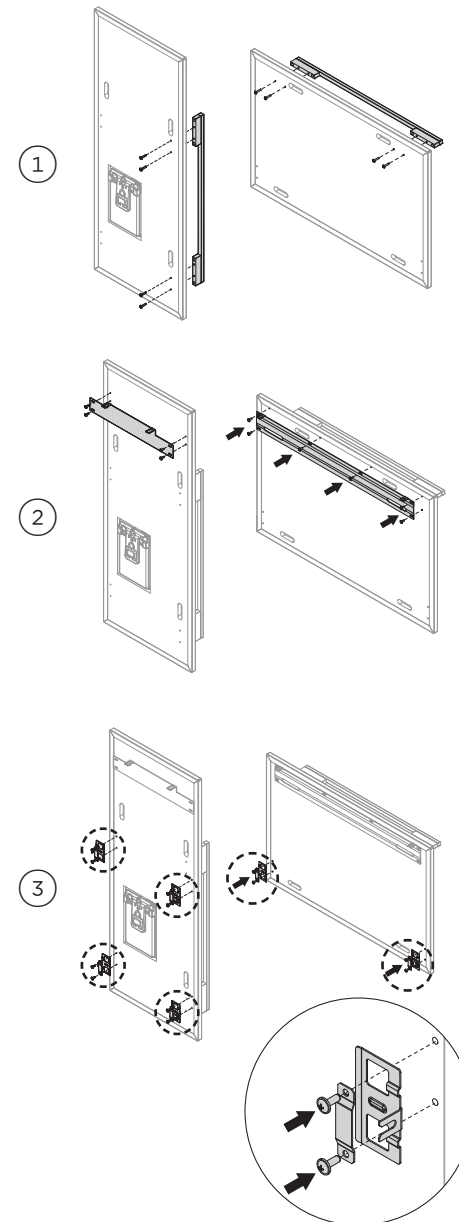


Remove hanging brackets

Remove the M8 washers and M8 nuts from the M8 studs at the top the door.

- Keep the washers and nuts to reuse later.

Remove the hanging bracket from the top of each door and set aside for later installation.



Attach the door and drawer handles

Remove the plastic film and blue tape on the door panels.

Remove the plastic plugs from the handle holes (4 per each door panel).

Align the handle holes with the door panel holes and secure with M5x25 pan head socket screws (4 per each door panel).

Attach the hanging brackets

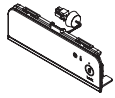
Align the bracket to the holes and secure with M5x14 mush cross-head SS screws (14).

Attach the side brackets

Align the brackets and straps to the holes on the side of the panel and secure with M5x14 mush cross-head SS screws (20).

DOOR PANEL INSTALLATION – STAINLESS STEEL

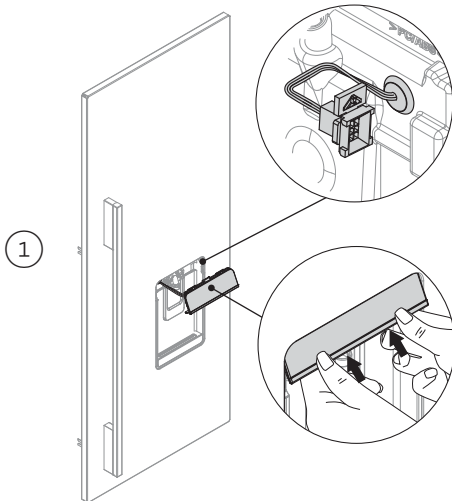
Ice and Water display (Ice and Water models only)



External display module
(1x)

- Failure to follow these steps can lead to difficulties in door panel adjustment and cosmetic cap fitment.
- Remove the protective film from the appliance doors before hanging door panels.

Connect external display module (for Water dispensing model only)

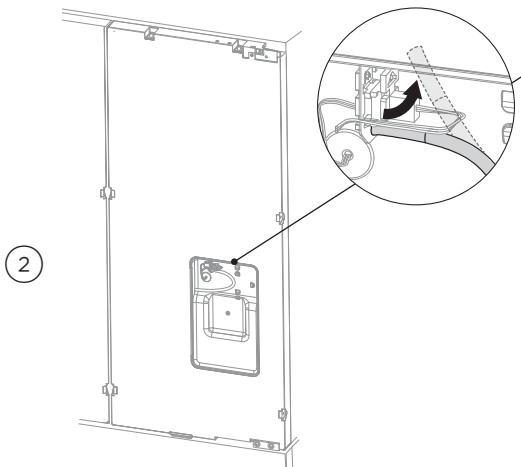


Locate the external display module from inside the appliance.
Thread the display harness through the door panel cavity.

- Ensure the grommet is engaged.

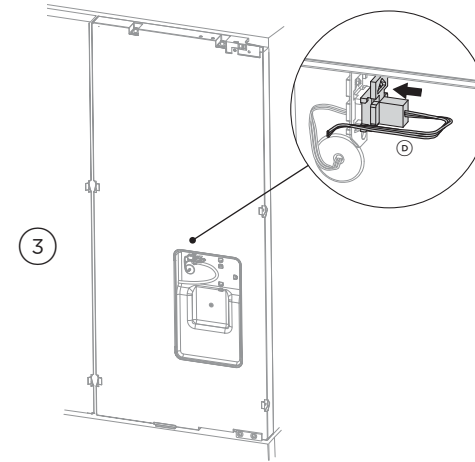
Turn the top display tabs at an angle into the door panel.

- Ensure the harness is free of pinching.
- Push firmly against the bottom display tabs and insert into the door panel until you feel it clip securely.
- Ensure the display is flush with the door panel.




Remove water tube from the holder on the appliance door.
Hang the door panel onto M8 studs.

Ensure the panel is free to pivot for water connections.



Connect the display harness onto the appliance door by inserting firmly until you feel it clip securely.


On the external display, activate the dispenser lock to prevent any water from dispensing during water connection.

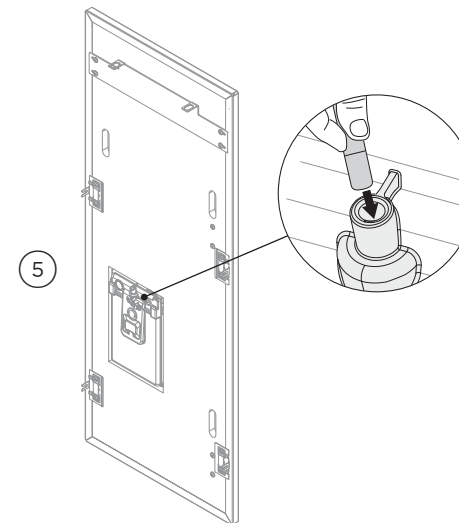
To lock, press the  button for 4 seconds.

The LED above the button will illuminate.



Enable the dispenser lock to prevent any water from dispensing during water connection.

To lock, press the  button for 4 seconds. The LED above the button will illuminate.

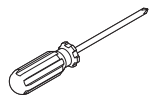


Push the water tube firmly into the spigot behind the door panel until the marked line is not visible.

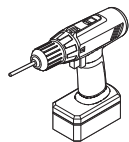
- Ensure the water tube is routed away from any sharp objects or corners, and not in a location where it can be kinked or squashed when the door panel is secured, (as this will stop water flow).

DOOR PANEL INSTALLATION – STAINLESS STEEL

Tools



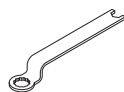
Cross-head screwdriver



Powered driver (optional)



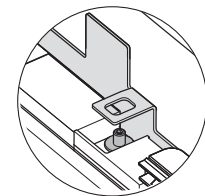
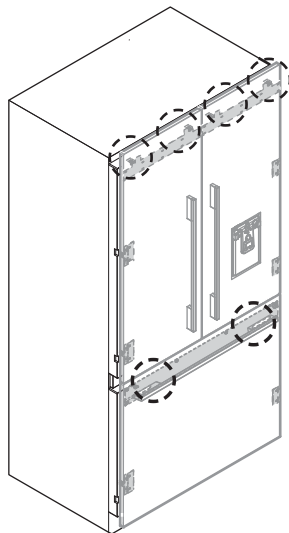
Hex key



FPA spanner

Attach the Stainless steel door panels

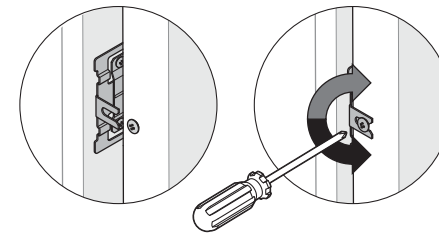
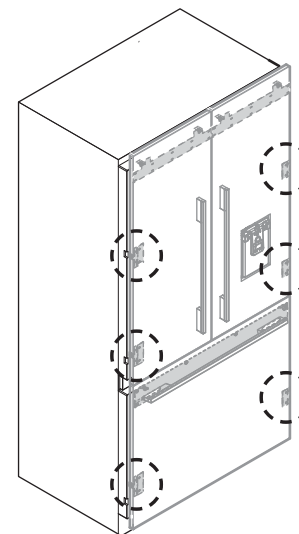
1



Open the door and loosen the M5x10 cross-head screws (do not remove) at the sides of the doors

Hang the door panel by lowering the holes of the hanging bracket onto the M8 studs.

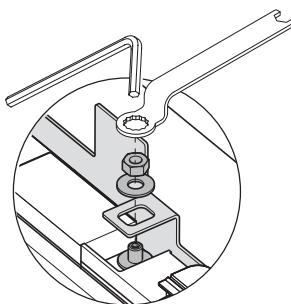
2



Slide the forks of the side brackets onto the screws of the door.

Tighten the screws loosely to temporarily secure the door panel.

3



Loosely screw the M8 washer and nut to the stud using the hex key and spanner.

- This will allow opening the door without affecting adjustment of the door panel.

DOOR PANEL INSTALLATION – STAINLESS STEEL

Door panel attachment kit

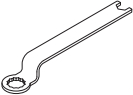


8x16 mush washer screw (2)

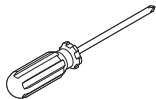
Tools



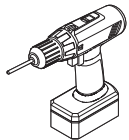
Hex key



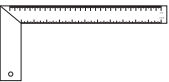
FPA spanner



Cross-head screwdriver

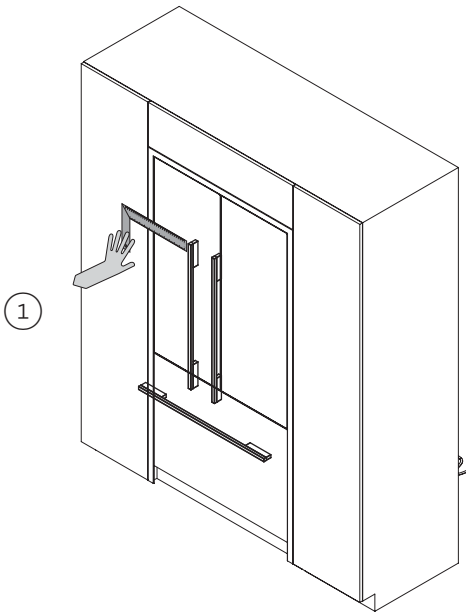


Powered driver (optional)



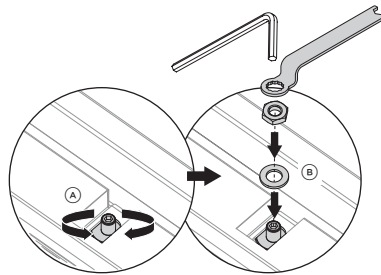
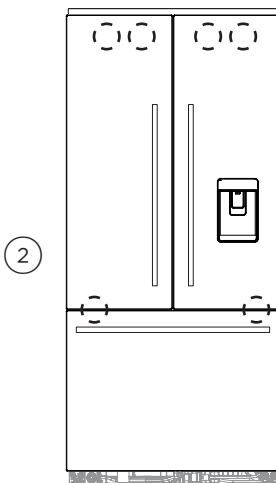
Ruler

Adjust the Stainless steel door panels



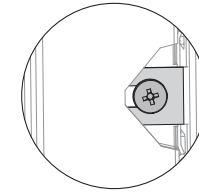
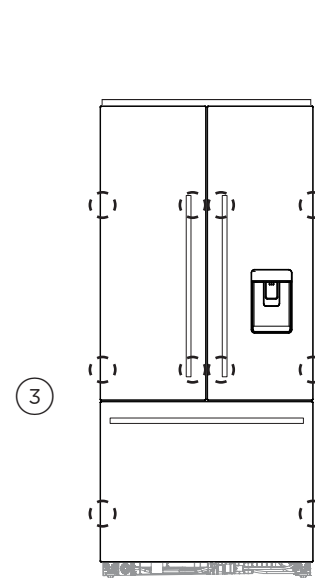
Push the appliance into the cavity until the door panels are flush with adjacent cabinetry surface.

Place a ruler on the front of the appliance to check flushness top and bottom, left and right..



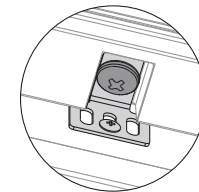
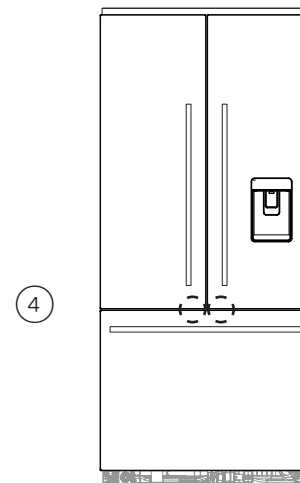
To adjust the height of the panel, turn the stud clockwise to raise or counter-clockwise to lower the door panel.

- Each door panel has full axis adjustment to ensure flushness with adjacent walls. Once satisfied with the alignment, secure M8 studs with M8 washer and M8 nut (B).
- The top of the stud must remain below the top face of the door panel.



Secure side bracket forks by tightening side screws. Repeat for all door panels.

- For depth adjustment, loosen the side screws, adjust the panels and then retighten once satisfied.
- Further adjustment of door panels can be achieved by removing door panels then loosening the fixing screws for the hanging bracket and moving the bracket sideways to suit.

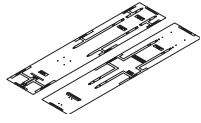


Loosen the M8x16 crosshead screw so that locking bracket can slide freely back to front. Slide the locking bracket out until it touches the back of the door panel. Fully tighten the screw.

Screw in place using #8x16 screw through one of the three slotted holes.

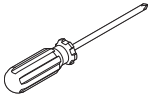
DOOR PANEL INSTALLATION – CUSTOM

External box

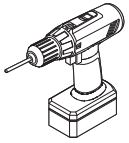


Door panel template (1)

Tools

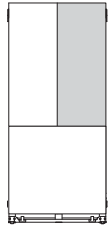
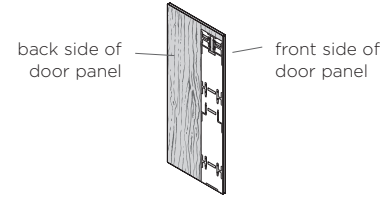


Cross-head screwdriver

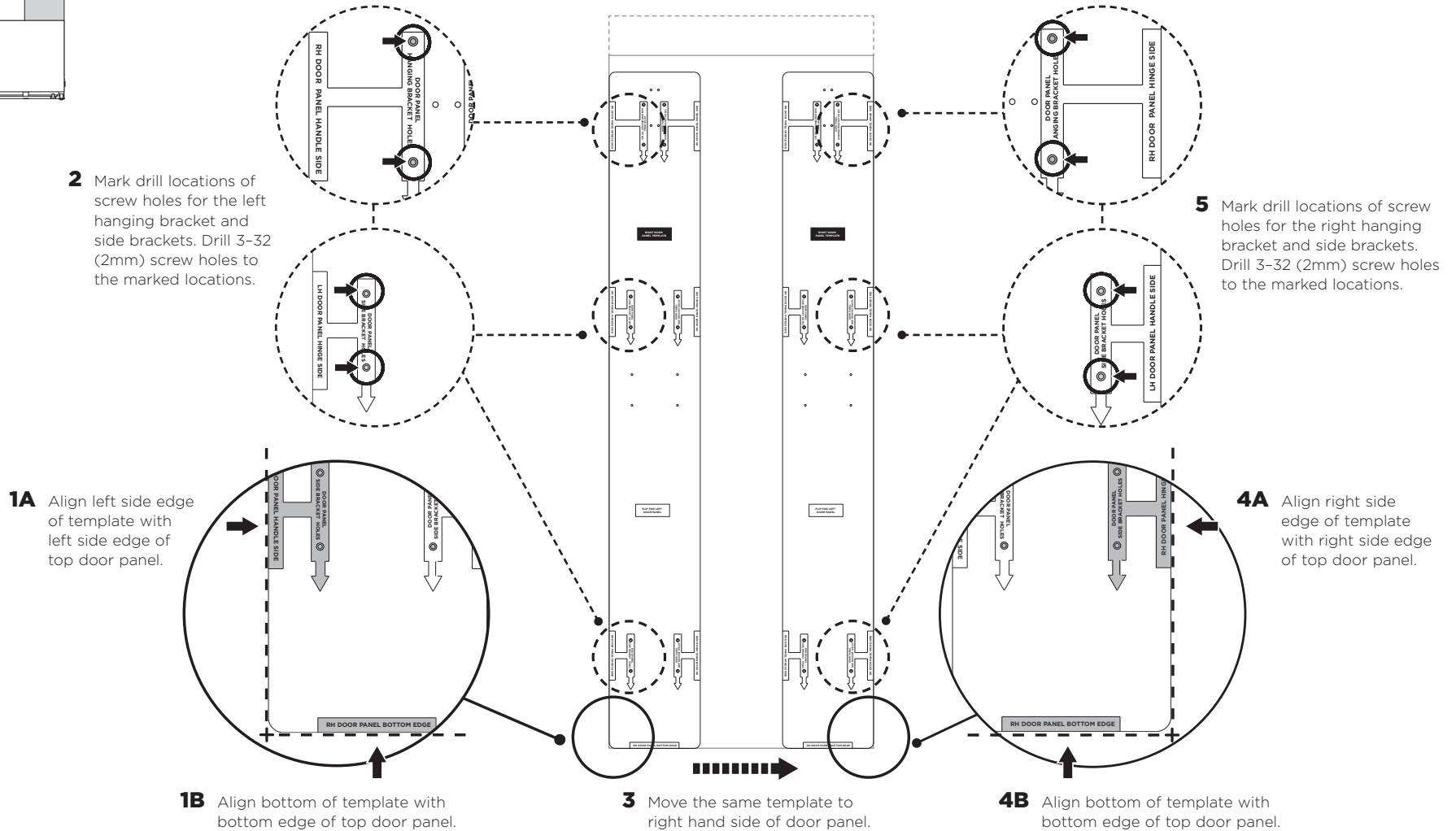


Powered driver (optional)

- The template is a single sheet with one side used for the left door panel/drawer panel and the other side for the right door panel.
- The template should be placed on the back side of the door panel.

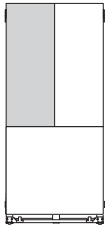
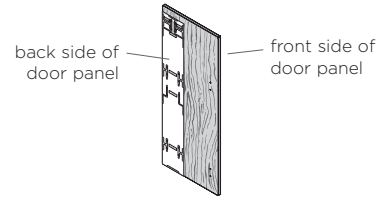


Using the installation template (for right French door panel)



DOOR PANEL INSTALLATION – CUSTOM

- Flip the template over to use for the right top door panel.
- The template should be placed on the back side of the door panel.



Using the installation template (for left French door panel)

2 Mark drill locations of screw holes for the left hanging bracket and side brackets. Drill 3-32 (2mm) screw holes to the marked locations.

5 Mark drill locations of screw holes for the right hanging bracket and side brackets. Drill 3-32 (2mm) screw holes to the marked locations.

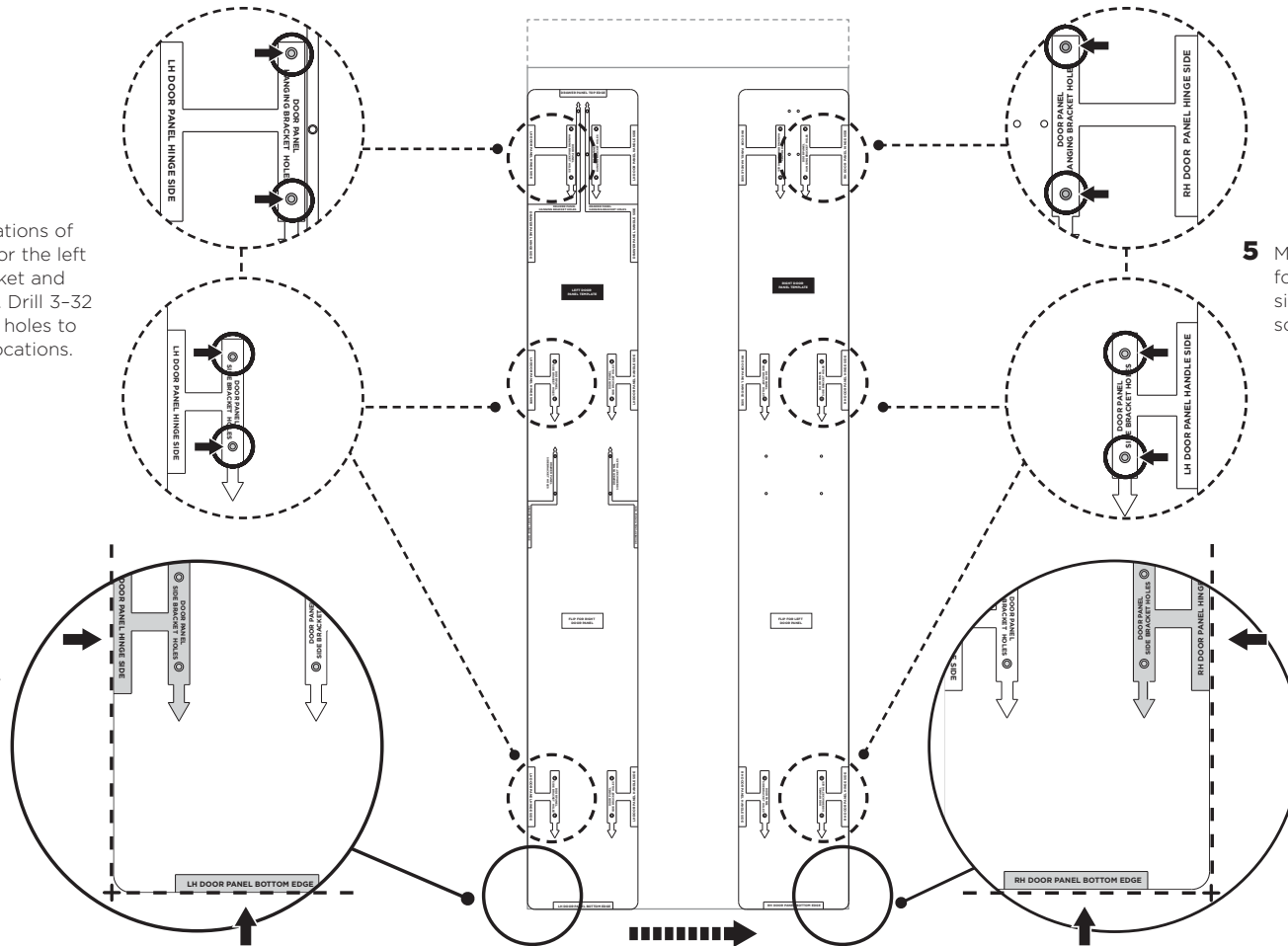
1A Align left side edge of template with left side edge of top door panel.

4A Align right side edge of template with right side edge of top door panel.

1B Align bottom of template with bottom edge of top door panel.

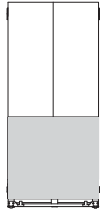
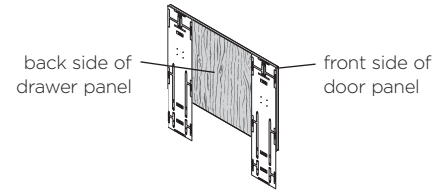
3 Move the same template to right hand side of door panel.

4B Align bottom of template with bottom edge of top door panel.

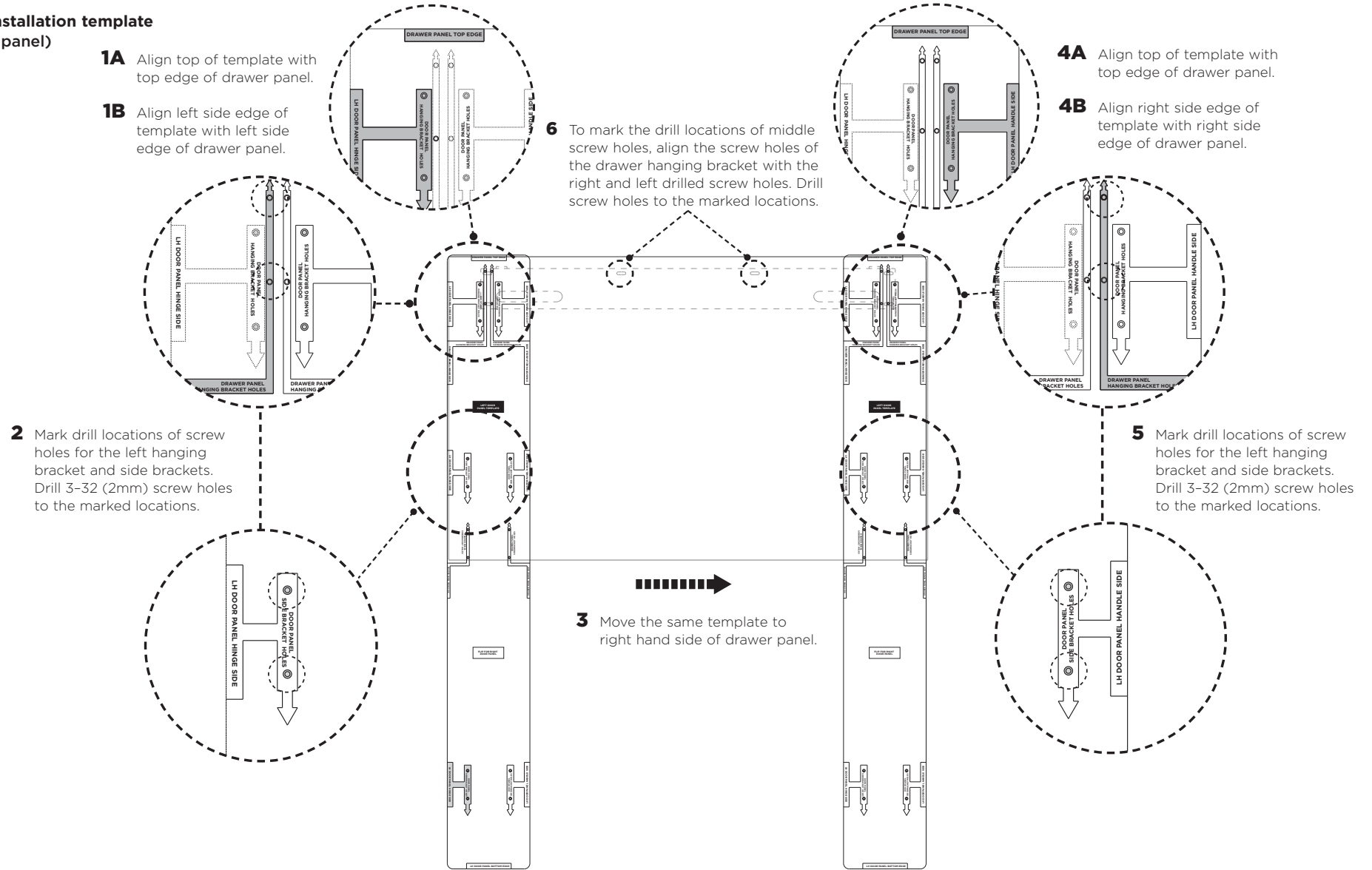


DOOR PANEL INSTALLATION – CUSTOM

- Use left door panel template to use for the drawer panel.
- Place the template at the back side of the drawer panel.



Using the installation template (for drawer panel)



1A Align top of template with top edge of drawer panel.

1B Align left side edge of template with left side edge of drawer panel.

2 Mark drill locations of screw holes for the left hanging bracket and side brackets. Drill 3-32 (2mm) screw holes to the marked locations.

3 Move the same template to right hand side of drawer panel.

4A Align top of template with top edge of drawer panel.

4B Align right side edge of template with right side edge of drawer panel.

5 Mark drill locations of screw holes for the left hanging bracket and side brackets. Drill 3-32 (2mm) screw holes to the marked locations.

6 To mark the drill locations of middle screw holes, align the screw holes of the drawer hanging bracket with the right and left drilled screw holes. Drill screw holes to the marked locations.

DOOR PANEL INSTALLATION – CUSTOM

Door panel attachment kit



Side bracket
(10)

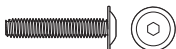


Side strap
(10)



#8x16 countersunk screw (34x)

Door handle kit

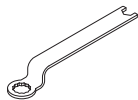


M5x25 pan head socket screw (12x)

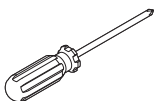
Tools



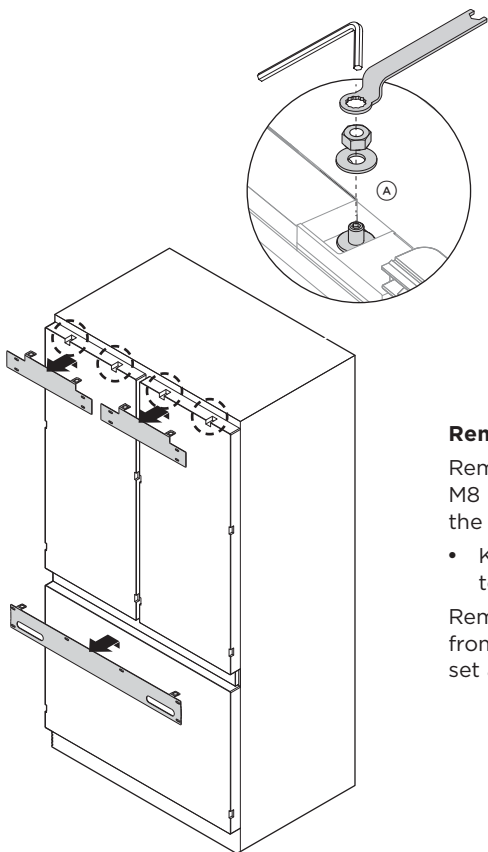
Hex key



FPA spanner



Cross-head screwdriver

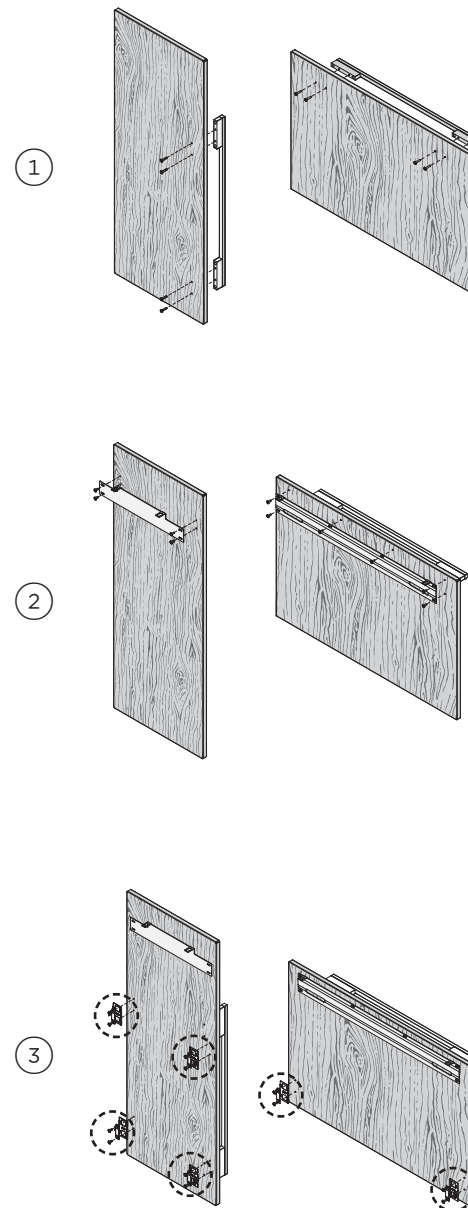


Remove hanging brackets

Remove the M8 washers and M8 nuts from the M8 studs at the top the door.

- Keep the washers and nuts to reuse later.

Remove the hanging bracket from the top of each door and set aside for later installation.



Attach the door and drawer handles

Align the handle holes with the door panel holes and secure with M5x25 pan head socket screws (4 per each door panel).

- Door handle kit available and must be purchased separately.

Attach the hanging brackets

Align the bracket to the holes and secure with #8x16 mush washer screws (14).

Attach side brackets and straps

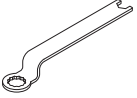
Align the brackets and straps to the holes on the side of the panel and secure with #8x16 mush washer screws (20).

DOOR PANEL INSTALLATION – CUSTOM

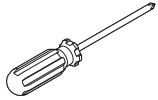
Tools



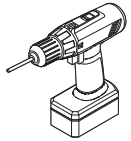
Hex key



FPA spanner
(1)



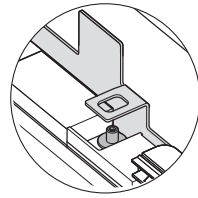
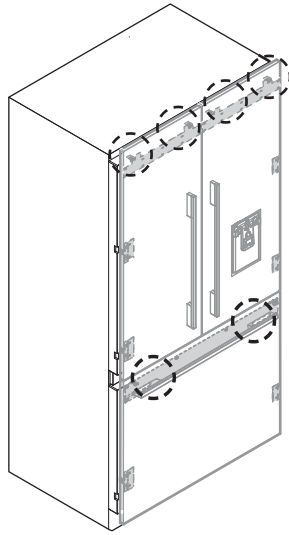
Cross-head screwdriver



Powered driver (optional)

Attach the Custom door panels

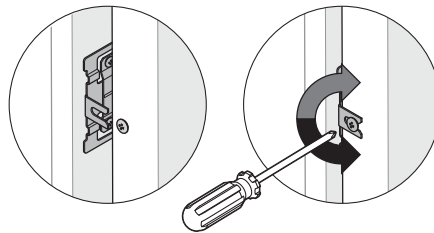
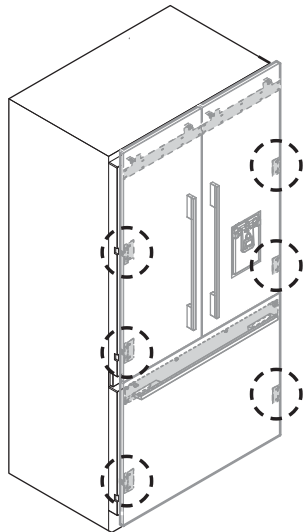
1



Open the door and loosen the M5x10 cross-head screws (do not remove) at the sides of the doors

Hang the door panel by lowering the holes of the hanging bracket onto the M8 studs.

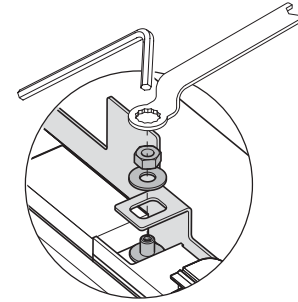
2



Slide the forks of the side brackets onto the screws of the door.

Tighten the screws loosely to temporarily secure the door panel.

3



Loosely screw the M8 washer and nut to the stud using the hex key and spanner.

- This will allow opening the door without affecting adjustment of the door panel.

DOOR PANEL INSTALLATION – CUSTOM

Door panel attachment kit

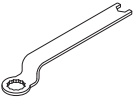


8x16 mush washer screw
(2)

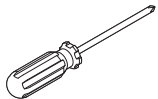
Tools



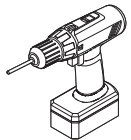
Hex key



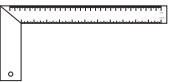
FPA spanner



Cross-head screwdriver

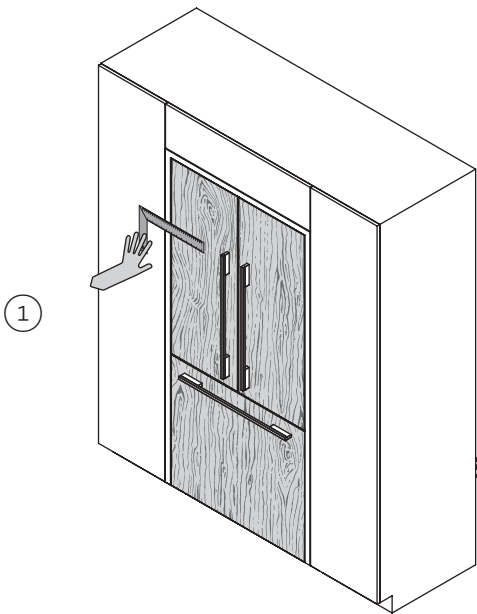


Powered driver (optional)



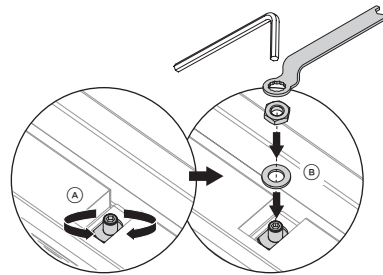
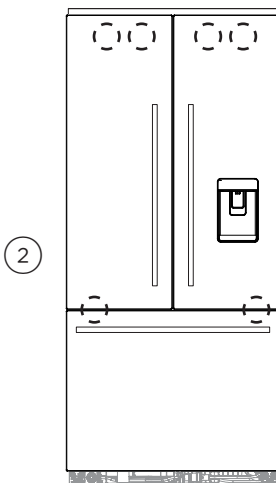
Ruler

Adjust the Custom steel door panels



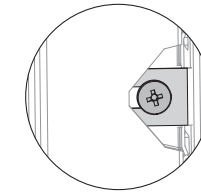
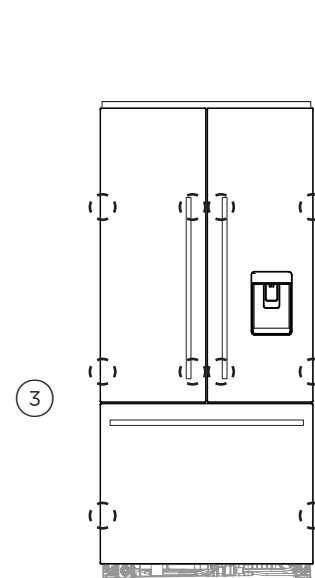
Push the appliance into the cavity until the door panels are flush with adjacent cabinetry surface.

Place a ruler on the front of the appliance to check flushness top and bottom, left and right.



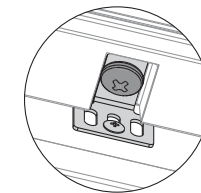
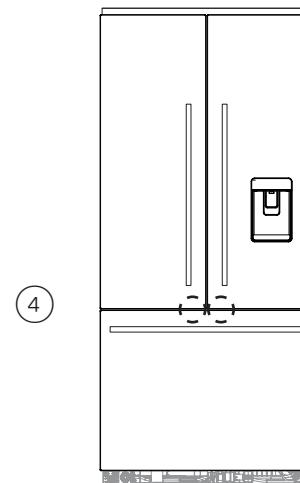
To adjust the height of the panel, turn the stud clockwise to raise or counter-clockwise to lower the door panel.

- Each door panel has full axis adjustment to ensure flushness with adjacent walls. Once satisfied with the alignment, secure M8 studs with M8 washer and M8 nut (B).
- The top of the stud must remain below the top face of the door panel.



Secure side bracket forks by tightening side screws. Repeat for all door panels.

- For depth adjustment, loosen the side screws, adjust the panels and then retighten once satisfied.
- Further adjustment of door panels can be achieved by removing door panels then loosening the fixing screws for the hanging bracket and moving the bracket sideways to suit.



Loosen the M8x16 crosshead screw so that locking bracket can slide freely back to front. Slide the locking bracket out until it touches the back of the door panel. Fully tighten the screw.

Screw in place using #8x16 screw through one of the three slotted holes.

FIXING TO CABINETY

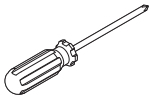
Internal box

Install fasteners kit

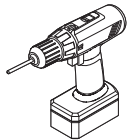


#8x19 twin thread screw (2)

Tools

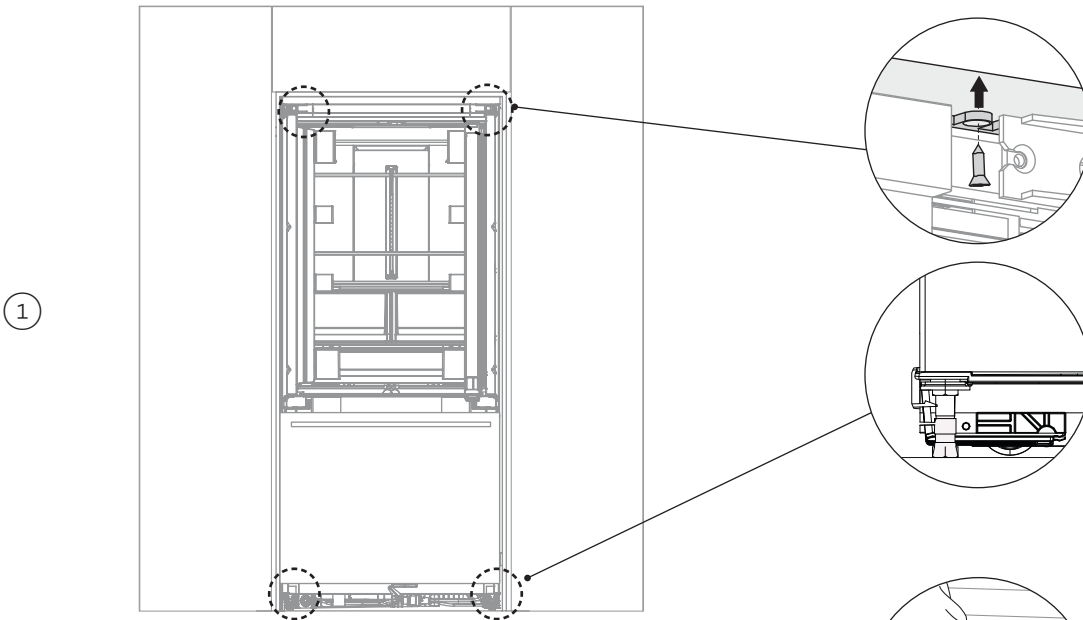


Cross-head screwdriver



Powered driver (optional)

Lower the feet until it engages the floor to provide more stability to the appliance and prevent back and forth movement.

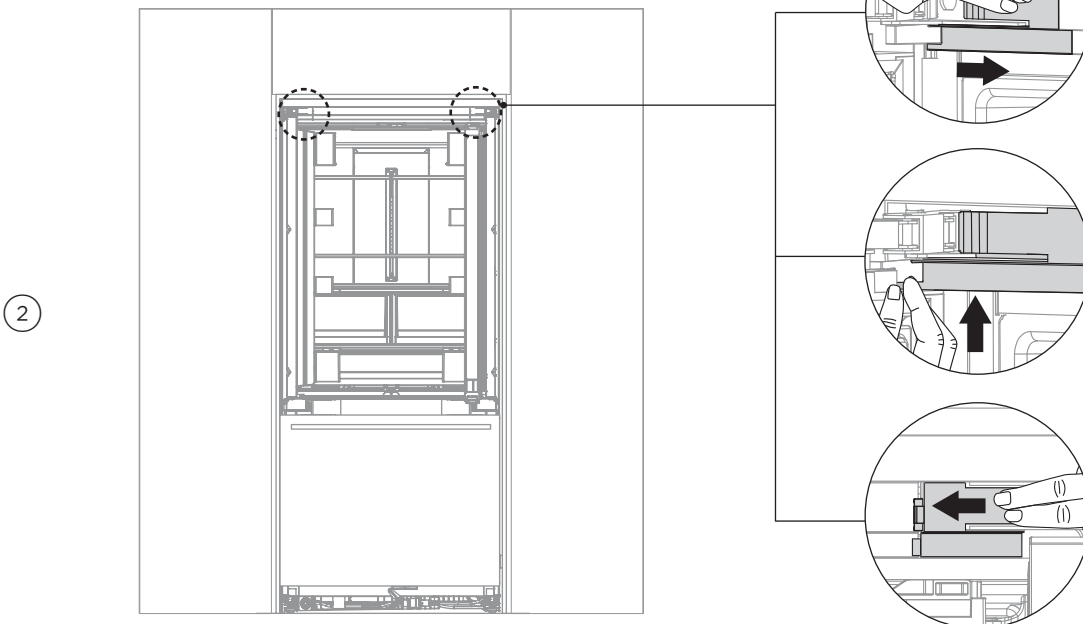


Secure the hinge bracket to cabinetry

Secure the hinge bracket to the ceiling of the cabinetry with #8x19 twin thread screw.

Repeat on the opposite side.

Lower the front feet until it engages the floor to provide more stability to the appliance and prevent back and forth movement.



Reattach the hinge end caps

Align hinge cap to the appliance, press and firmly slide the cap to the right.

Push the corner of the end cap firmly upward and to the left to engage the securing hook.

- Ensure cap is flush with the appliance.

Reattach right hinge end cap

Align hinge cap to appliance, press and firmly slide the cap to the left.

Ensure the cap is flush with the appliance.

WATER FILTER INSTALLATION

Miscellaneous items pack

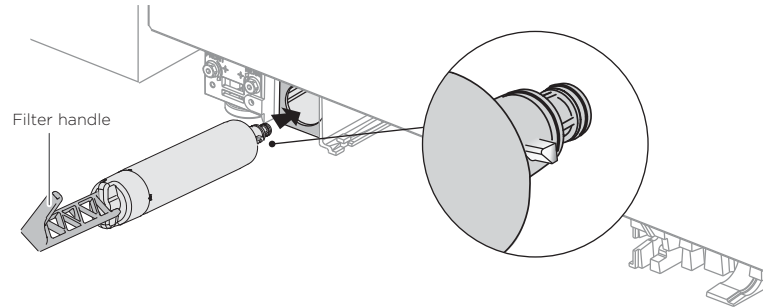


Water filter
(1)



Filter cartridge tool
(1)

The water filter head must be firmly pushed into the appliance and secured. incorrect installation can lead to water leaks.

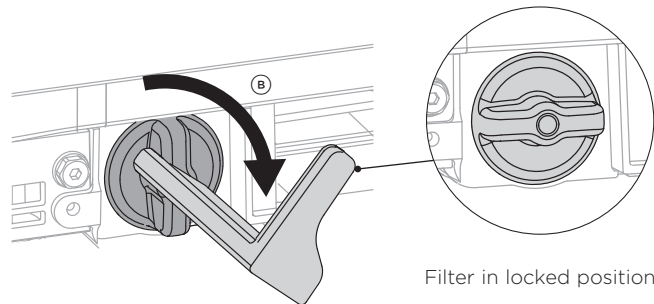


Install the water filter

Remove the plastic wrapping of the new filter.

Pull the freezer drawer out slightly and insert the filter into the casing at the bottom left corner of the appliance. Ensure the filter handle is positioned vertically.

Push the cartridge firmly inside the casing all the way into the filter head.

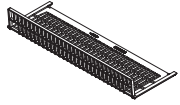


Align the filter removal tool over the filter handle and turn 90° clockwise to tighten. Remove filter removal tool and close the freezer drawer.

- Before turning on your automatic ice maker, the water filter must be flushed to remove any impurities or trapped air in the water tank and filter system.
- Refer to the user guide 'Operating instructions – Automatic ice maker' for more information.

TOE KICK INSTALLATION

MI Pack



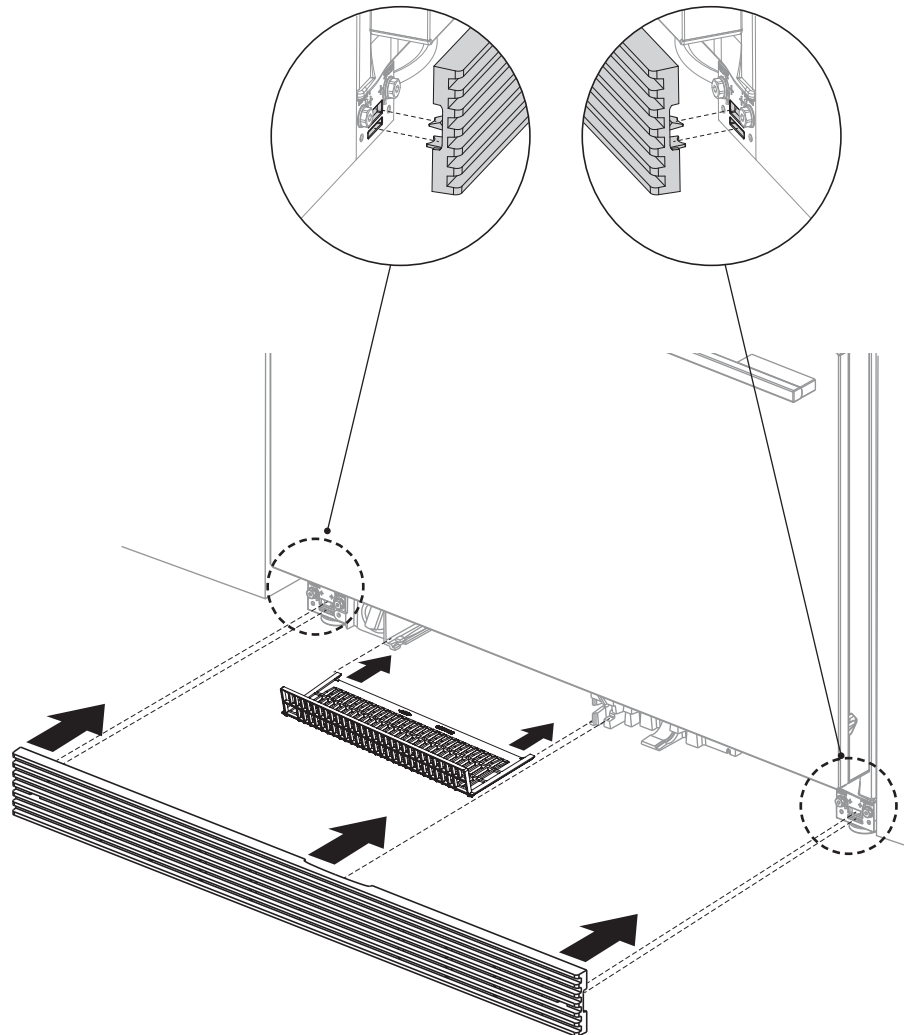
Toe kick filter
(1)

Trims kit



Toe kick grille
(1)

Install the toe kick filter and grille



- Fit the filter onto the rails and push until it clips securely.
Align the top grille clips to the top plinth slots.
- Ensure the top grille is in the correct orientation.
- Push the grille firmly onto the appliance until the clips engage.

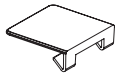
COVERS AND TRIMS INSTALLATION

Internal box

Door/drawer trim install kit



Dual adhesive tabs
(12)

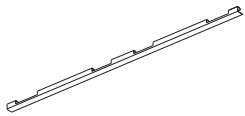


Top cover
(2)

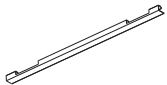


Side cover
(4)

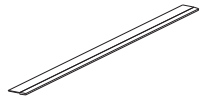
External box



Door side trim
(2)

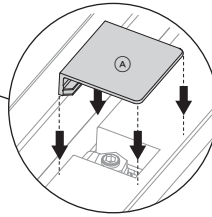
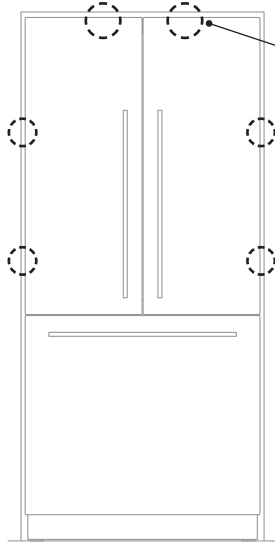


Drawer side trim
(2)

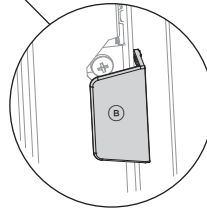


Drawer top trim
(1)

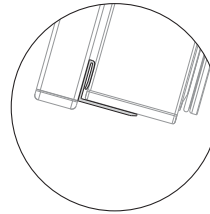
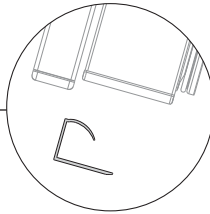
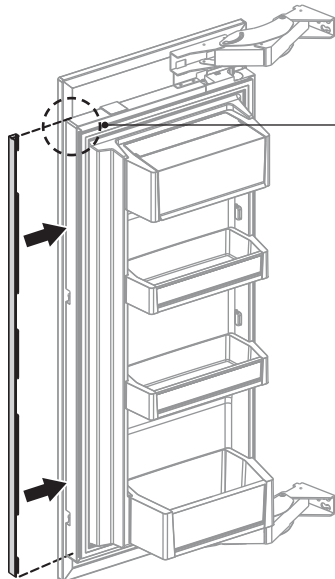
Attach the covers



Open the French doors.
Attach the top covers firmly over
the top studs, and the side covers
to the side brackets.



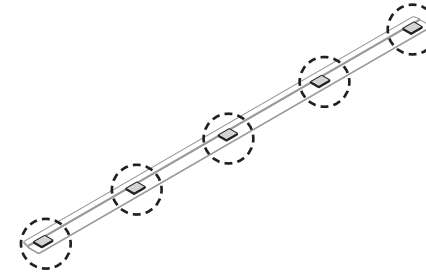
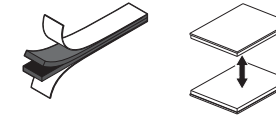
Attach the door side trims



Install the side trims by inserting
into the panel gaps on each side of
the door(s).

Align the trim to the top of the
door and press evenly into the
panel gap until fully seated.

Attach the drawer top and side trims

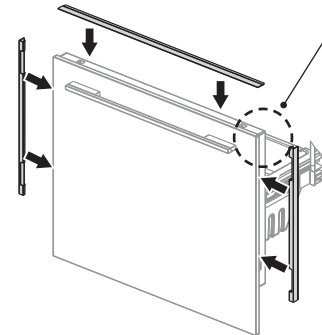
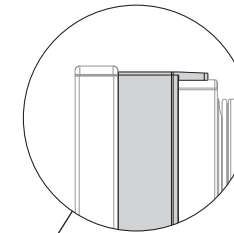


Peel off two dual adhesive tabs
and press them together to
form a pair.

- Remove the adhesive backing on one side only.

Press firmly to the underside
of the drawer top trim in the
indicated locations.

Remove the remaining adhesive
backing from the dual adhesive
tabs.



Locate the trim against the back
surface of the panel and press down
firmly.

- Ensure the trim is fully seated
against the drawer surface.

Install the side trims by inserting
into the panel gaps on each side of
the door(s).

- Ensure the cabinet is centered
to prevent the side trims
from interfering with the cabinet.

FINAL CHECKLIST

TO BE COMPLETED BY THE INSTALLER

All models

- Ensure all internal and external packaging is removed from the appliance before use.
- Check all parts are installed.
- Ensure the appliance is level.
- Ensure the appliance is securely fastened to the cabinetry with the supplied anti-tip bracket and fittings.
- Ensure the doors/drawer can open and close freely with no resistance from surrounding cabinetry.
- Ensure hinge limiting pin is fitted for 90° door swing.

Ice and Water models only

- Ensure the water filtration system has been flushed.
- Ensure a manual ice maker cycle has been forced.

Complete and keep for safe reference:

Model _____

Serial No. _____

Purchase Date _____

Purchaser _____

Dealer Address _____

Installer's Name _____

Installer's Signature _____

Installation Company _____

Installation Date _____

FISHERPAYKEL.COM

© Fisher & Paykel Appliances 2023. All rights reserved.

The models shown in this guide may not be available in all markets
and are subject to change at any time.

The product specifications in this guide apply to the specific products and
models described at the date of issue. Under our policy of continuous product
improvement, these specifications may change at any time.

For current details about model and specification availability in your country,
please go to our website or contact your local Fisher & Paykel dealer.

862068D 12.23