

FISHER & PAYKEL

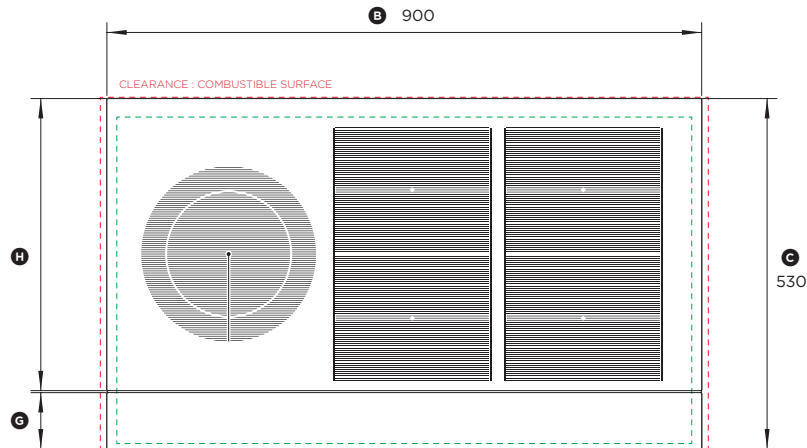
DATA SHEET 900mm Induction Cooktop

Model no:
CI905DTB3

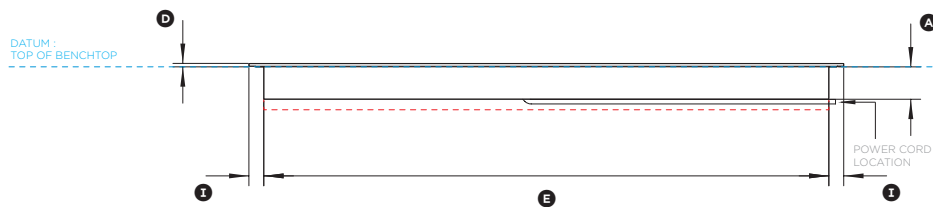
Product Dimensions	mm
Ⓐ Height of chassis (below top of bench including terminal block)	49
Ⓑ Overall width of cooktop	900
Ⓒ Overall depth of cooktop	530
Ⓓ Height from benchtop datum to top of cooktop glass	5
Ⓔ Width of chassis	855
Ⓕ Depth of chassis	482
Ⓖ Depth of front control panel	85
Ⓜ Depth of cooktop cooking area	442
Ⓣ Distance from side edges of cooktop to chassis	23
Ⓛ Distance from front edge of cooktop to chassis	12
Ⓚ Distance from back edge of cooktop to chassis	36

Minimum Clearances	mm
Minimum clearance from side edges of cutout to nearest combustible surface	25
Minimum clearance from rear edge of cutout to nearest combustible surface	30
Minimum clearance below top of benchtop to rear top of oven* installed below cooktop or cabinetry	65
Minimum clearance from glass surface to rangehood	650
Minimum clearance from benchtop to overhead cabinet not directly above the cooktop	450
Minimum ventilation gap between bottom of bench and top of cabinetry fronts	4

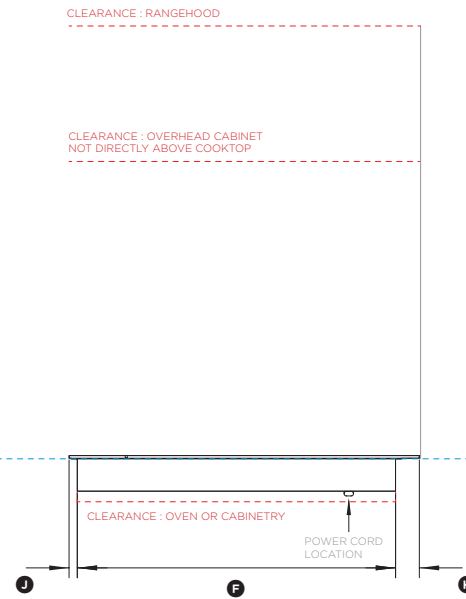
*NOTE: The oven installed below the cooktop MUST have a cooling fan. It is important that the induction cooktop receives adequate air supply. For ventilation requirements please refer to the installation manual.



PLAN VIEW



FRONT VIEW



PROFILE VIEW



INDICATES CUTOUT -----
INDICATES CABINERY / PRODUCT DATUM -----
INDICATES CABINERY CLEARANCES -----

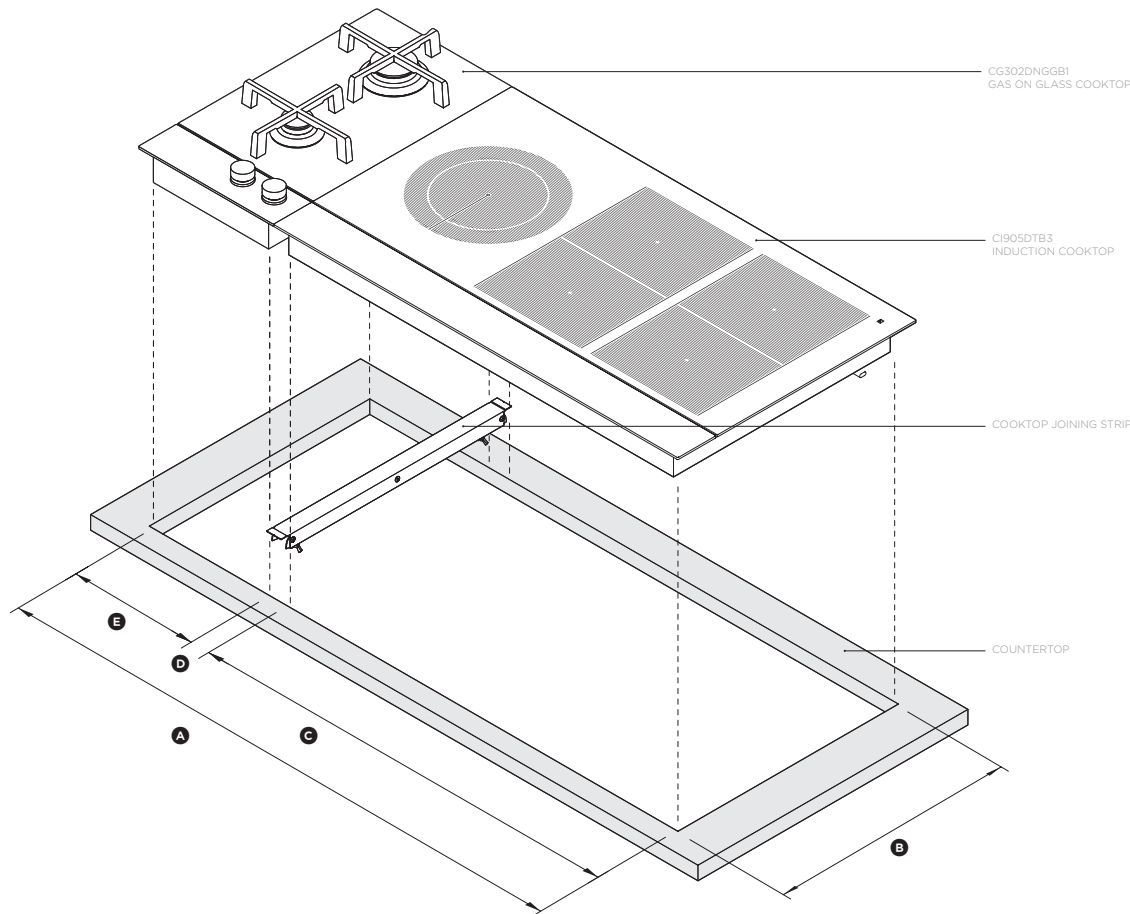
DATE: **20.10.2016**

IMPORTANT NOTE: Throughout this guide, dimensions may vary by $\pm 2\text{mm}$ (1/16"). Please read the installation manual for detailed information on installing the product. For full installation instructions & specifications visit fisherpaykel.com

FISHER & PAYKEL

DATA SHEET 900mm Induction Cooktop

MULTIPLE ADJACENT COOKTOPS - EXAMPLE ONLY



C1905DTB3 INDUCTION COOKTOP
WITH JOINING STRIP AND
CG302DNGGB1 GAS ON GLASS COOKTOP

Model no:
C1905DTB3

Cutout Dimensions for C1905DTB3 only	mm
Overall width of cutout	870
Overall depth of cutout**	494

**Note cutout position is centred to the cooktop width but offset to the cooktop depth. Cutout front depth is 8mm from the front edge of the product.

Cutout Dimensions for C1905DTB3 with CG302DNGGB1	mm
Ⓐ Overall width of cutout	1175
Ⓑ Overall depth of cutout	494
Ⓒ Width of C1905DTB3 Induction Cooktop section of cutout	870
Ⓓ Width of joining strip section of cutout	40
Ⓔ Width of CG302DNGGB1 Gas Cooktop section of cutout	265

Electrical Specifications for C1905DTB3 only

9800W @ 220-240V/380V-415V 3N - 43A

IMPORTANT NOTE: For full installation and clearance details please refer to our installation manual.

DATE: 20.10.2016

IMPORTANT NOTE: Throughout this guide, dimensions may vary by $\pm 2\text{mm}$ (1/16"). Please read the installation manual for detailed information on installing the product. For full installation instructions & specifications visit fisherpaykel.com