

Top Loader Washing Machine, 5.5kg

Series 3 | Top Load

White

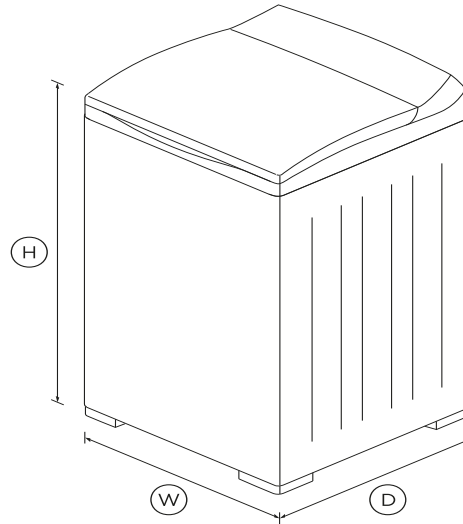


A powerful, quiet washing machine with SmartDrive™ technology, perfect for a small household.

- Four wash cycles including Wool and Delicate
- With SmartDrive™ technology for a quiet and reliable wash
- Auto out of balance correction for a hassle-free wash
- Detergent and fabric softener dispenser

DIMENSIONS

Height	1030 - 1050mm
Width	560mm
Depth	560mm



FEATURES & BENEFITS

Easy to use

This machine has four cycles to suit a variety of fabric types: Delicate, Heavy, Regular and Wool. Select a cycle with easy-to-use controls.

Cares for clothes

The flexible finned agitator ensures less tangling for superior clothes care.

SPECIFICATIONS

Consumption

Annual energy consumption	499kWh
Annual water consumption	77L
Energy rating	1.5 star
Water rating	3 star (WELS)

Features

Agitator	Flexible finned
Auto out of balance correction	•
Detergent dispenser	•
Eco rinse	•
Fabric softener dispenser	•
Lid lock	•
Manual water levels	3
No spin / Spin Hold	•
Rinse options	3
Spin speeds	3
Stainless steel drum	•
Water temperature controls	3

Performance

Auto-Lint disposal	•
Load sensing	•
Maximum spin speed	1000 rpm
Number of spin speeds	3
SmartDrive™ technology	•

Product dimensions

Depth	560mm
Height	1030 - 1050mm
Height (Lid open)	1320 - 1350mm

Width	560mm
-------	-------

Warranty

Parts and labour	2 years
Parts only SmartDrive™ Motor	10 years

Wash Cycles

Delicate	•
Heavy	•
Number of wash cycles	4
Quick	•
Regular	•
Wool	•

SKU	93260
-----	-------

Other product downloads available at fisherpaykel.com

- [↓](#) User Guide
- [↓](#) Service & Warranty
- [↓](#) Installation Guide

**A PEACE OF MIND SALE****24 Hours 7 Days a Week Customer Support****T 1300 650 590 W www.fisherpaykel.com**

The product dimensions and specifications in this page apply to the specific product and model. Under our policy of continuous improvement, these dimensions and specifications may change at any time. You should therefore check with Fisher & Paykel's Customer Care Centre to ensure this page correctly describes the model currently available. ? Fisher & Paykel Appliances Ltd 2020