

Top Loader Washing Machine, 10kg

Series 7 | Top Load

White

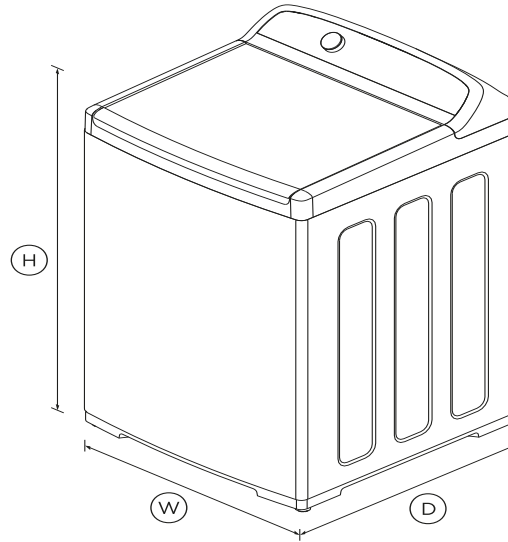


With plenty of room for large loads, and 12 wash cycles including Towels, this top loader caters to every type of load.

- 12 wash cycles including Allergy, Towels and Bulky
- Includes extra wash feature Soak, for helping cleaning tough stains
- Energy saving with Eco-Active™
- 4 star energy and 4 star water rating

DIMENSIONS

Height	1060 - 1090mm
Width	685mm
Depth	700mm



FEATURES & BENEFITS

Eco-Active™ wash

Eco-Active™ recirculates water and detergent through clothes so less hot water is used to remove stains, dirt and bacteria.

Soft close lid

The tough glass lid delivers quality and durability. Its soft close mechanism makes it family safe, avoids slamming and allows for hands-free operation.

Easy to use

This machine has a cycle to suit every type of load including Allergy, Handwash and Sheets. Select a cycle with the easy to use SmartTouch™ control dial.

Robust construction

Designed with durable, quality materials from the real stainless steel wash basket through to the powder coated metal lid.

Quicker drying

Drying times are reduced due to a fast spin speed of 1100RPM which helps remove more water.

Perfect pair

Our washing machines and dryers make the perfect pair. Not only do they care for your clothes, they also look stylish together in your laundry.

SPECIFICATIONS

Consumption

Annual energy consumption	380kWh
Annual water consumption	102L
Energy rating	4 stars
Water star rating	4 stars

Features

Adjustable alert beeps	•
Agitator	Low profile
Auto out of balance correction	•
Automatic water level	•
Controlled cold	•
Delay start	•
Detergent dispenser	•
Fabric softener dispenser	•
Lid lock	•
No spin / Spin Hold	•
Rinse options	4

SmartTouch™ control dial	•
Soak	•
Soil levels	3
Spin speeds	3
Stainless steel drum	•
Water temperature controls	5

Handwash	•
Heavy	•
Number of wash cycles	12
Quick	•
Regular	•
Sheets	•
Spin	•
Towels	•

Performance

Auto-Lint disposal	•
Load sensing	•
Maximum spin speed	1100 rpm
Number of spin speeds	3
SmartDrive™ technology	•

SKU 93264

TEST The product dimensions and specifications in this page apply to the specific product and model. Under our policy of continuous improvement, these dimensions and specifications may change at any time. You should therefore check with Fisher & Paykel's Customer Care Centre to ensure this page correctly describes the model currently available. ? Fisher & Paykel Appliances Ltd 2020

Product dimensions

Depth	700mm
Height	1060 - 1090mm
Height (Lid open)	1420 - 1460mm
Width	685mm

Warranty

Parts and labour	2 years
Parts only SmartDrive™ Motor	10 years

Wash Cycles

Allergy	•
Bulky	•
Conventional	•
Easy Iron	•
Eco-Active™	•

Other product downloads available at fisherpaykel.com

- [↓](#) User Guide
- [↓](#) Installation Guide



A PEACE OF MIND SALE

24 Hours 7 Days a Week Customer Support

T 1300 650 590 W www.fisherpaykel.com