

FISHER & PAYKEL

PRELIMINARY SPECIFICATION GUIDE

INTEGRATED INSERT COOKER HOOD, SERIES 7



OVERVIEW

High-quality, integrated insert cooker hoods seamlessly blend with cabinetry and can be installed in a variety of kitchen layouts. With four fan speeds, plus a boost function, powerful extraction quickly removes odours and steam. Enjoy seamless operation with Wi-Fi enabled remote control

MODELS

Integrated Insert Cooker Hood, 60cm
HP60IHCB4

Integrated Insert Cooker Hood, 90cm
HP90IHCB4

SERIES & STYLE

Series 7
Integrated

FEATURES

- ① Seamlessly integrated
- ② Wi-Fi enabled for remote control and notifications through the SmartHQ™ app
- ③ Powerful 750m³/hr maximum airflow
- ④ Energy-efficient bi-colour 3K and 4K LED lighting creates a warm (or cold), even glow
- ⑤ Sleek black glass finish with real stainless steel frame
- ⑥ Four fan speeds plus a boost function
- ⑦ Automatic alert works as a reminder to clean filters for optimal performance
- ⑧ Removable, easy-to-clean filters that effectively trap grease
- ⑩ Delayed turn off

*Selected markets and models

OPTIONAL ACCESSORIES

- ① Recirculation Carbon Filter
- ② Aluminium Filter

FISHER & PAYKEL

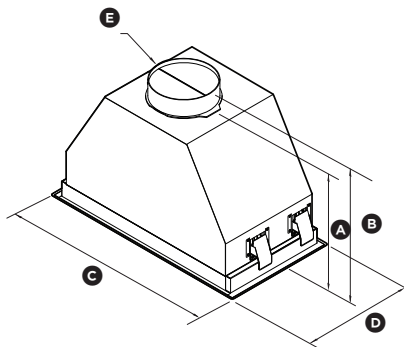
PRELIMINARY SPECIFICATION GUIDE

60CM INTEGRATED INSERT COOKER HOOD SERIES 7

SPECIFICATIONS

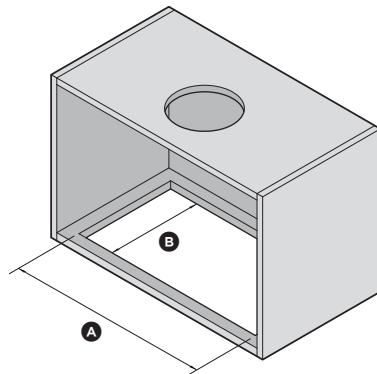
Model No.	HP60IHCB4
Dimensions	H 316mm x W 530mm x D 280mm
Weight	9.3kg
Minimum distance above cooktops	min. 600mm - refer to cooktop installation guide for further details
Electrical	
Supply	220 - 240 V, 50 Hz
Receptacle	3-pin plug
Light source	
Type	bi-colour LED strip
Temperature	3000K and 4000K

PRODUCT DIMENSIONS



ISO VIEW

CAVITY DIMENSIONS: STANDARD INSTALLATION



ISO VIEW

	mm
(A) Overall height of cooker hood without ducting adapter	316
(B) Overall height of cooker hood with ducting adapter	361
(C) Overall width of cooker hood	530
(D) Overall depth of cooker hood (excl. cabinetry front panel)	280
(E) Diameter of ducting adaptor	150

	mm
(A) Width of cutout	500
(B) Depth of cutout	260

Note: We recommend the cabinet has a door or service panel that can be easily opened to access the power connection.

FISHER & PAYKEL

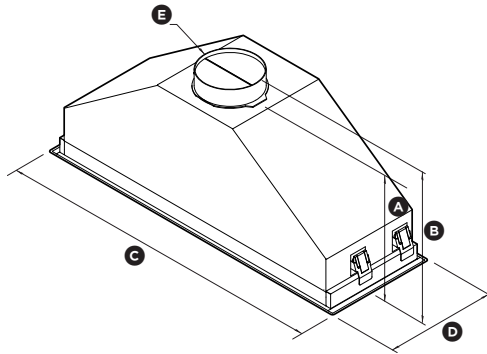
PRELIMINARY SPECIFICATION GUIDE

90CM INTEGRATED INSERT COOKER HOOD SERIES 7

SPECIFICATIONS

Model No.	HP90IHCB4
Dimensions	H 316mm x W 830mm x D 280mm
Weight	11.5kg
Minimum distance above cooktops	min. 600mm - refer to cooktop installation guide for further details
Electrical	
Supply	220-240 V, 50 Hz
Receptacle	3-pin plug
Light source	
Type	Bi colour LED strip
Temperature	3000K and 4000K

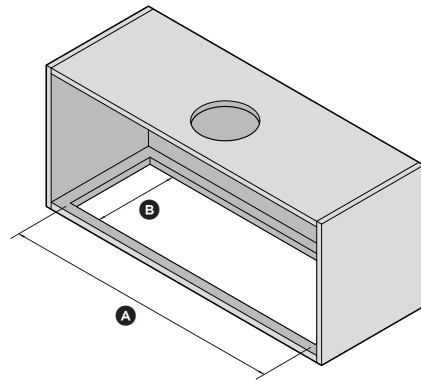
PRODUCT DIMENSIONS



ISO VIEW

		mm
(A)	Overall height of cooker hood without ducting adaptor	316
(B)	Overall height of cooker hood with ducting adaptor	364
(C)	Overall width of cooker hood	830
(D)	Overall depth of cooker hood (excl. cabinetry front panel)	280
(E)	Diameter of ducting adaptor	150

CAVITY DIMENSIONS: STANDARD INSTALLATION



ISO VIEW

		mm
(A)	Width of cutout	800
(B)	Depth of cutout	260

Note: We recommend the cabinet has a door or service panel that can be easily opened to access the power connection.