

# FISHER & PAYKEL

## DATA SHEET 36" Professional ActiveSmart™ Fridge – French Door

Model no:  
**RF201ACJSX1**  
(refer page 2 for metric measurements)

Product Dimensions	in
Ⓐ Overall height* of fridge	70 11/16"
Ⓑ Overall width of fridge	35 7/16"
Ⓒ Depth of fridge door and gasket (excludes handle)	2 3/4"
Ⓓ Depth of fridge door and chassis (excludes handle)	27 3/8"
Ⓔ Depth of fridge chassis (does not include fridge door)	24 10/16"
Ⓕ Height from bottom datum to top of fridge door	69 3/4"
Ⓖ Height of feet (adjustable)	15/16"
Ⓗ Height from bottom datum to top of top handle	55 3/4"
Ⓘ Height from bottom datum to bottom of top handle	27"
Ⓚ Height from bottom datum to bottom of top door	25 1/16"
Ⓛ Height from bottom datum to top of bottom door	24 1/2"
Ⓜ Height from bottom datum to centre of bottom handle	22"
Ⓝ Handle thickness (not including standoffs)	1"
Ⓟ Height from bottom datum to bottom of bottom door	11/16"
Ⓠ Depth of handle (measured from front of door)	2 5/16"
Ⓡ Depth of door (open at 90°) (measured from front of door)	15 15/16"
Ⓢ Depth of drawer (open) (measured from front of drawer) excluding handle	14 3/4"
Ⓣ Rotation of door (open) (measured from front of door)	138°

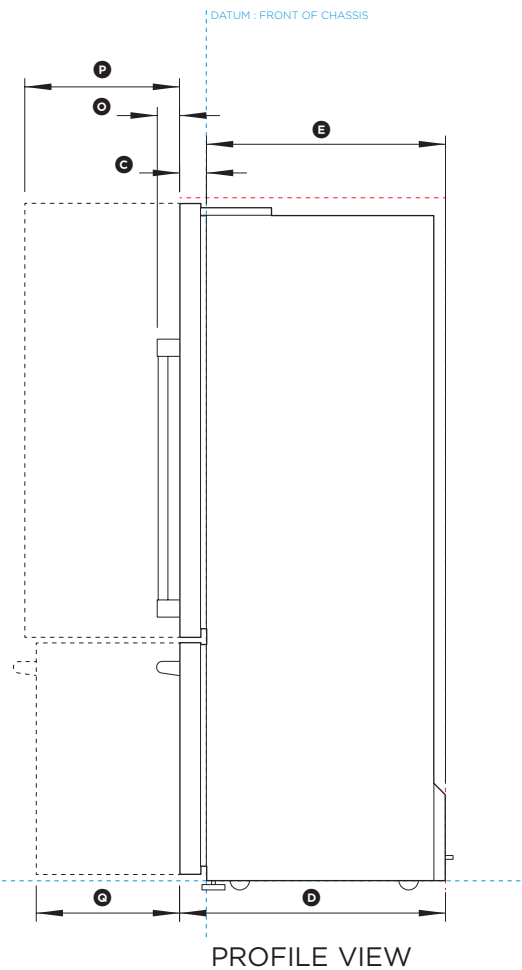
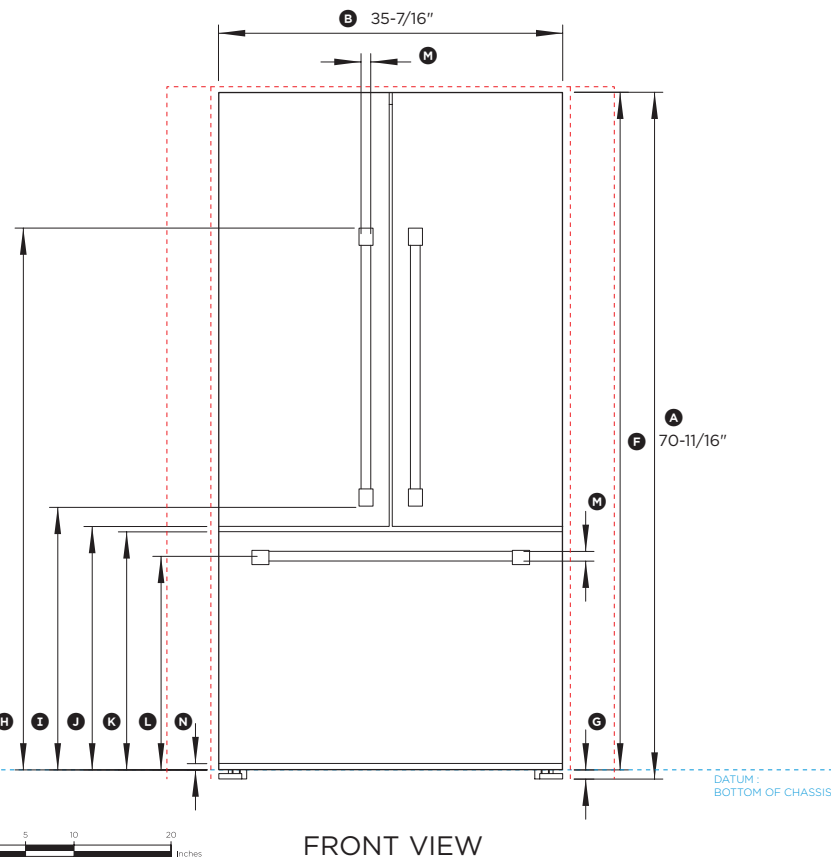
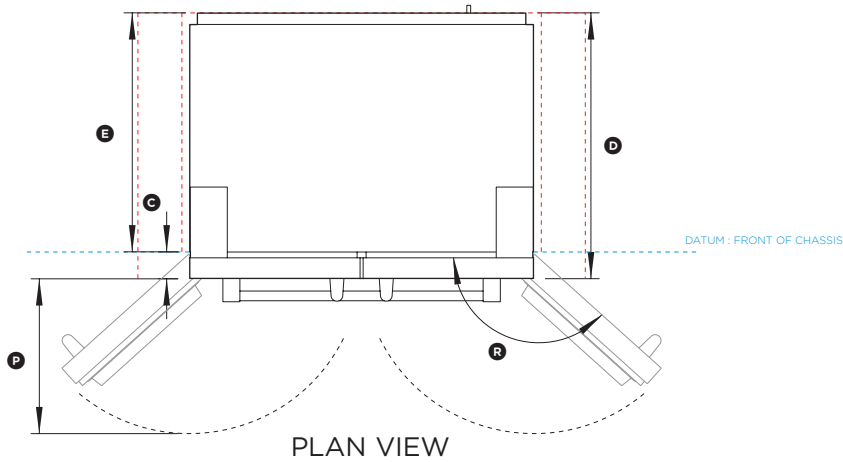
\* Includes mounted feet

Minimum Clearances	in
Minimum height of cavity	71 1/4"
Minimum side clearance installed flush with chassis	13/16"
Side clearance (hinge side) – installed flush with door – full rotation	5 5/16"
Rear clearance (including evaporator tray)	1 3/16"

INDICATES PRODUCT DATUM -----  
INDICATES CLEARANCES -----

DATE: 24.04.2018

IMPORTANT: Throughout this guide, dimensions may vary by ±2mm (1/16"). Read the installation guide for detailed information on installing the product. For full installation instructions and specifications visit [fisherpaykel.com](http://fisherpaykel.com)



# FISHER & PAYKEL

## DATA SHEET 36" Professional ActiveSmart™ Fridge – French Door

Model no:  
**RF201ACJSX1**  
(refer page 1 for imperial measurements)

Product Dimensions	mm
Ⓐ Overall height* of fridge	1795
Ⓑ Overall width of fridge	900
Ⓒ Depth of fridge door and gasket (excludes handle)	70
Ⓓ Depth of fridge door and chassis (excludes handle)	695
Ⓔ Depth of fridge chassis (does not include fridge door)	625
Ⓕ Height from bottom datum to top of fridge door	1771
Ⓖ Height of feet (adjustable)	24
Ⓗ Height from bottom datum to top of top handle	1416
Ⓘ Height from bottom datum to bottom of top handle	686
Ⓚ Height from bottom datum to bottom of top door	636
Ⓛ Height from bottom datum to top of bottom door	622
Ⓜ Height from bottom datum to centre of bottom handle	558
Ⓝ Handle thickness (not including standoffs)	25
Ⓟ Height from bottom datum to bottom of bottom door	17
Ⓠ Depth of handle (measured from front of door)	58
Ⓡ Depth of door (open at 90°) (measured from front of door)	405
Ⓢ Depth of drawer (open) (measured from front of drawer) excluding handle	375
Ⓣ Rotation of door (open) (measured from front of door)	138°

\* Includes mounted feet

Minimum Clearances	mm
Minimum height of cavity	1810
Minimum side clearance installed flush with chassis	20
Side clearance (hinge side) – installed flush with door – full rotation	135
Rear clearance (including evaporator tray)	30

INDICATES PRODUCT DATUM -----  
INDICATES CLEARANCES -----

DATE: 24.04.2018

IMPORTANT: Throughout this guide, dimensions may vary by ±2mm (1/16"). Read the installation guide for detailed information on installing the product. For full installation instructions and specifications visit [fisherpaykel.com](http://fisherpaykel.com)

