

# Freestanding Cooker, Dual Fuel, 90cm, 5 Burners

Series 5 | Classic

Stainless Steel

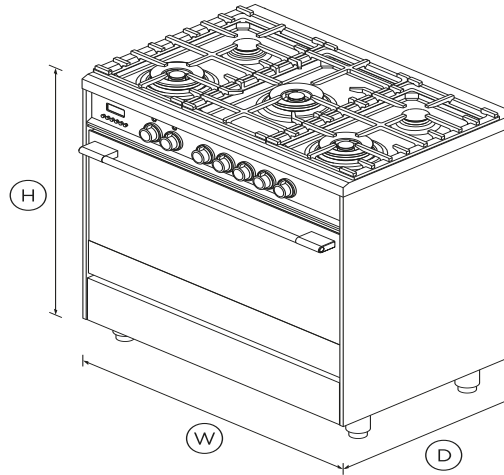


Get the best of both worlds with dual fuel. A gas cooktop with wok burner is paired with a seven-function convection oven.

- Five burner gas cooktop, with precise heat control
- Convection oven with 140L total capacity and seven oven functions
- Optional non-tip full-extension shelves for safe removal of hot dishes

## DIMENSIONS

|        |             |
|--------|-------------|
| Height | 898 - 946mm |
| Width  | 897mm       |
| Depth  | 600mm       |



## FEATURES & BENEFITS

### Quality and durability

Every detail has been carefully crafted, from the solid balanced door to the durable cooktop trivets and large capacity oven.

### Impressive capacity

With an extra large 140L capacity, this range has plenty of space for cooking multiple dishes at the same time.

### Burner power & control

Instant and immediate control from the highest to the gentlest

heat. The finely tuned cooktop controls let you sear and stir fry over powerful heat, or simmer a delicate sauce to perfection.

### Even heat

Dishes on the top shelf turn out as perfectly as the ones on the bottom, due to our AeroTech™ convection system that circulates air evenly throughout the entire oven.

### Easy to clean

Your cooktop simply needs a quick wipe to keep it looking good as new, as the gas cooktop is made from a single piece of stainless steel that contains spills. The oven door, its inner pane of glass and runners can also be removed for easy cleaning.

### Safe and sound

The door and cavity cooling system keeps the heat on the inside, protecting your hands and surrounding cabinetry. The flame failure safety device automatically turns off the gas if the flame is accidentally extinguished.

## SPECIFICATIONS

### Accessories

|                                |                 |
|--------------------------------|-----------------|
| Chromed shelf runners          | 1 set           |
| Flat wire shelf                | 1               |
| Full extension sliding shelves | 1 set           |
| Roasting dish                  | 1               |
| Small pot support              | 1 (part 533981) |
| Square foot covers, stainless  | 1               |
| Step down wire shelf           | •               |

### Accessories (sold separately)

|                             |            |
|-----------------------------|------------|
| Kick strip, stainless steel | KICKOR90X1 |
|-----------------------------|------------|

### Burner ratings

|                        |         |
|------------------------|---------|
| Auxiliary burner (LPG) | 3.9MJ/h |
|------------------------|---------|

|                                |          |
|--------------------------------|----------|
| Auxiliary burner (natural gas) | 3.9MJ/h  |
| Maximum burner power           | 16.2MJ/h |
| Rapid burner (LPG)             | 11.8MJ/h |
| Rapid burner (natural gas)     | 11.5MJ/h |
| Semi-rapid burner (natural)    | 5.8MJ/h  |
| Semi-rapid burner (natural)    | 6.5MJ/h  |
| Total cooktop power            | 44.6MJ/h |
| Wok burner (LPG)               | 14.9MJ/h |
| Wok burner (natural gas)       | 16.2MJ/h |

**Capacity**

|                             |      |
|-----------------------------|------|
| Shelf positions             | 6    |
| Shelf positions (main oven) | 6    |
| Total capacity              | 140L |
| Usable capacity             | 120L |
| Usable capacity (main oven) | 121L |

**Cleaning**

|                                |   |
|--------------------------------|---|
| Acid resistant graphite enamel | • |
| Drop down grill element        | • |
| Removable oven door            | • |
| Removable oven door inner      | • |
| Removable shelf runners        | • |

**Controls**

|                          |   |
|--------------------------|---|
| Audio feedback           | • |
| Automatic cooking/minute | • |
| Celsius/Fahrenheit       | • |
| Electronic clock         | • |

|                              |   |
|------------------------------|---|
| Laser etched graphics        | • |
| Turned stainless steel clock | • |

**Oven features**

|                           |                        |
|---------------------------|------------------------|
| AeroTech™ technology      | •                      |
| Full extension telescopic | •                      |
| Internal light            | 2 x 25W halogen (side) |
| Storage compartment       | •                      |
| True convection           | •                      |
| Twin cavity fans          | •                      |

**Oven functions**

|                     |   |
|---------------------|---|
| Bake                | • |
| Defrost             | • |
| Fan bake            | • |
| Fan forced          | • |
| Fan grill           | • |
| Grill               | • |
| Number of functions | 7 |
| True convection     | • |
| Warm                | • |

**Oven performance**

|                |               |
|----------------|---------------|
| CoolTouch door | Double glazed |
|----------------|---------------|

**Power requirements**

|                  |          |
|------------------|----------|
| Amperage         | 14A      |
| Supply frequency | 50Hz     |
| Supply voltage   | 220-240V |

**Product dimensions**

|        |             |
|--------|-------------|
| Depth  | 600mm       |
| Height | 898 - 946mm |
| Width  | 897mm       |

**Cooktop Features**

|                            |   |
|----------------------------|---|
| LPG/Natural gas compatible | • |
| Sealed range top           | • |

**Cooktop Performance**

|                   |   |
|-------------------|---|
| Number of burners | 5 |
|-------------------|---|

**Safety**

|                           |                        |
|---------------------------|------------------------|
| Advanced cooling system   | •                      |
| Anti-tilt bracket         | •                      |
| Balanced oven door        | •                      |
| CoolTouch door            | •                      |
| Flame failure system      | •                      |
| Full extension telescopic | Optional (part 578744) |
| Full extension telescopic | •                      |
| Non-tip shelves           | •                      |

**Warranty**

|                  |         |
|------------------|---------|
| Parts and labour | 2 years |
|------------------|---------|

|     |       |
|-----|-------|
| SKU | 81884 |
|-----|-------|

The product dimensions and specifications in this page apply to the specific product and model. Under our policy of continuous improvement, these dimensions and specifications may change at any time. You should therefore check with Fisher & Paykel's Customer Care Centre to ensure this page correctly describes the model currently available. ? Fisher & Paykel Appliances Ltd 2020

---

**Other product downloads available at [fisherpaykel.com](https://fisherpaykel.com)**



User Guide Dual Fuel Cooker



Service & Warranty



Installation Guide - Kick Strip



Installation Guide



**A PEACE OF MIND SALE**

**24 Hours 7 Days a Week Customer Support**

**T 1300 650 590 W [www.fisherpaykel.com](https://www.fisherpaykel.com)**