

# Freestanding Refrigerator Freezer, 79cm, 490L, Ice & Water

Series 5 | Contemporary

Stainless Steel | Left hinge

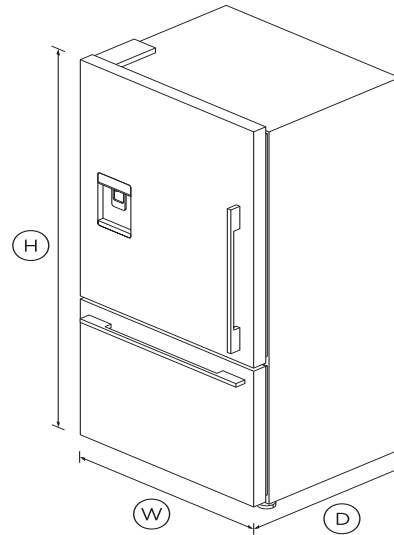


With ample storage and a stylish stainless steel finish, for a timeless look.

- ActiveSmart helps keep food fresher for longer
- Spacious bottom freezer with easy-slide internal drawers to separate storage
- Door water dispenser and internal ice maker

## DIMENSIONS

Height	1715mm
Width	790mm
Depth	695mm



## FEATURES & BENEFITS

### ACTIVSMART FOODCARE

Every time you open your refrigerator, the temperature around your food changes. ActiveSmart foodcare adjusts airflow to create a stable temperature, helping your food stay fresher for longer.

### WATER DISPENSER

The slimline dispenser makes it easy to fill almost any sized jug or vessel with cool filtered water and doesn't take up any storage space in your refrigerator.

### ICE MAKER

Fresh ice is always available for you in a dedicated freezer bin. Simply turn it off to free up freezer space or during busy times, you can boost ice production by up to 30%.

### DESIGN QUALITY

Our refrigerators are designed and built using quality materials. We use real stainless steel, and solid glass for shelving as well as in our wine cabinet doors.

### EASY CLEANING

No more permanent dirty marks with our EZKleen feature for stainless steel refrigerators. Anti-fingerprint coating means you simply wipe clean any marks. Spill-safe secure glass shelves easily capture any drips or leaks.

### SIMPLE STORAGE

This refrigerator is designed to make it simple for you to store, access and remove food. Storage bins give you full access inside when they're pulled open and can be easily removed to clean. Our flexible shelving also gives you more storage options.

### CLEVER ENERGY

Your refrigerator adapts to daily use by cooling and defrosting only when needed. This means it uses only the energy it needs without compromising on food care.

## SPECIFICATIONS

### Accessories

Contemporary round handle	25338
---------------------------	-------

### Capacity

Total net volume	490L
Volume freezer	142L
Volume refrigerator	348L

**Consumption**

Energy consumption	1.02kWh/24h
Energy rating	Grade 2

**Features**

Adjustable glass shelves	4
Adjustable half width door	2
Covered door shelves	2
Door alarm	•
Front levelling feet	•
Full extension runners	•
Full width door shelves	2
LED lighting	•
Rear rollers	•
Single bottle holders	4
SmartTouch control panel	•
Ultra slim water dispenser	•

**Freezer Features**

Automatic ice maker	•
Bottle chill	•
Door alarm	•
Fast freeze	•
Freezer bins	3
Ice Boost	•
Ice bin and scoop	•

**Performance**

ActiveSmart Foodcare	•
Adaptive defrost	•

Frost free	•
Frost free freezer	•
Humidity control system	•
Inverter controlled compressor	•
R600a refrigerant	•
Sabbath mode	•

**Power requirements**

Connection power	240W
Supply voltage	220 - 240V

**Product dimensions**

Depth	695mm
Height	1715mm
Width	790mm




**Warranty**

Parts and labour	1 year
Sealed system parts only	3 years

SKU	25463
-----	-------

The product dimensions and specifications in this page apply to the specific product and model. Under our policy of continuous improvement, these dimensions and specifications may change at any time. You should therefore check with Fisher & Paykel's Customer Care Centre to ensure this page correctly describes the model currently available. ? Fisher & Paykel Appliances Ltd 2020

**Other product downloads available at fisherpaykel.com**

- [↓](#) User Guide
- [↓](#) User Guide 
- [↓](#) Service & Warranty
- [↓](#) Installation Guide
- [↓](#) Installation Guide 
- [↓](#)  - Water Filter Replacement ZH



**A PEACE OF MIND SALE**

24 Hours 7 Days a Week Customer Support

T 400 640 8777 Wwww.fisherpaykel.com