

Integrated Single DishDrawer™ Dishwasher, Tall, Sanitize

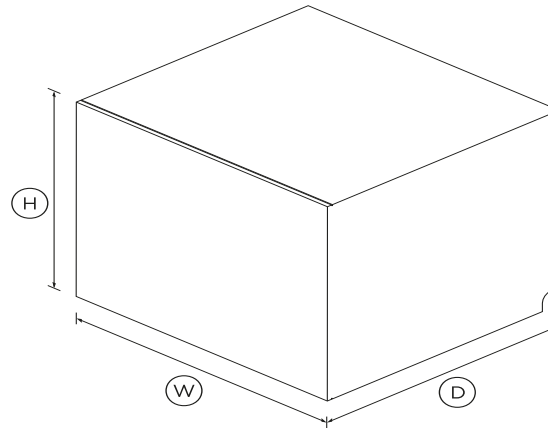
Series 9 | Integrated



Designed to fit your full-sized dinner plates, this DishDrawer™ can be placed anywhere in your kitchen, integrating seamlessly.

DIMENSIONS

Height	17 ⁷ / ₈
Width	23 ⁹ / ₁₆
Depth	22 ¹ / ₂



SPECIFICATIONS

Accessories

- Cutlery basket
- Knife clip and multipurpose

Accessories (sold separately)

- Door kit stainless steel **81263 Door DD24ST**

Capacity and loading

Accommodates round plates	12.25"
Adjustable height, foldable	•
Fold down tines	•
Pitch adjustable tines	•

Controls

- Electronic fault/Diagnostic
- End of cycle beeps
- Energy saving delay start
- Internal wash selector
- Knock to pause
- Rinse aid indicator light

Features

- Built-in water softener
- Fan assisted drying
- Flow through detergent
- Quiet operation
- SmartDrive™ technology

Performance

Noise on gentle cycle top	44
---------------------------	----

Power requirements

Amperage	5A
Electric circuit	3
Rated current	15A
Supply frequency	60Hz
Supply voltage	120V

Product dimensions

Depth	22 1/2
Height	17 7/8
Width	23 9/16

Wash Program Modifiers

Extra Dry	•
Quick	•
Wash modifiers	3

Wash Programs

Delicate	•
Eco	•
Fast	•
Heavy	•
Medium	•
Rinse	•
Wash programs	15

Water connection

Inlet water temperature	Max 140°F
Supplied hose to suit 3/8"	•
Water pressure	0.1 Mpa - 1 Mpa (14.5-145 psi)

SKU	81219
-----	-------

specifications may change at any time. You should therefore check with Fisher & Paykel's Customer Care Centre to ensure this page correctly describes the model currently available. Fisher & Paykel Appliances Ltd 2020

Where applicable:

All appliances use energy, and energy usage typically generates carbon emissions. **Fisher & Paykel Appliances' In-use Energy Carbon Emissions Estimate** indicates carbon emissions from a product's in-use energy. This is calculated either annually or per cycle, using the product's market-specific energy label energy consumption data multiplied by the carbon emissions factor for energy in your country or region.

Our In-use Energy Carbon Emissions Estimate is designed to assist customers in making informed purchasing decisions when comparing different Fisher & Paykel products. For example, a heat pump dryer typically has a lower In-use Energy Carbon Emissions Estimate than a vented dryer.



A PEACE OF MIND SALE

24 Hours 7 Days a Week Customer Support

T 1.888.936.7872 [Wwww.fisherpaykel.com](http://www.fisherpaykel.com)

The product dimensions and specifications in this page apply to the specific product and model. Under our policy of continuous improvement, these dimensions and