

# FISHER & PAYKEL

## PRELIMINARY SPECIFICATION GUIDE

## BUILT-IN COFFEE MAKER, 24"



Coffeemaker shown with with Warmer Drawer ADWB6024SMB



### OVERVIEW

The Built-in Coffee Maker features a stylish finish and can be installed in multiple configurations to suit kitchen design and preference. With 13 beverage options, our Coffee Maker is designed to consistently pour delicious coffee - from Flat White to Latte or Americano. Favourite coffee can be memorised and set to start at the same time each day, while the conical burr grinder delivers a consistent grind for the perfect coffee.

### MODELS

#### Built-in Coffee Maker, 24",

Touchscreen, Dial  
EB24MSB1

#### Trim Kit

30" Black Glass  
TK7630NMB1

### SERIES & STYLE

Series 9  
Minimal

### FEATURES

- ① Designed to pair perfectly with 60cm ovens and companion products
- ② Install in multiple configurations to suit your kitchen design
- ③ Intuitive touch display
- ④ 13 functions to suit any taste and selection - from Espresso to Latte
- ⑤ Personalised coffee and smart self-learning menu preferences
- ⑥ Stainless steel conical burr grinder with 13 coarseness positions
- ⑦ 15 bar pump pressure
- ⑧ Self-cleaning function and easy to empty coffee grounds container and drip tray
- ⑩ 84.5 fl oz water tank capacity

### ACCESSORIES

- ① Thermal milk jug (17 fl oz)
- ② Water filter
- ③ Coffee spoon
- ④ Extractable steam outlet
- ⑤ Descaling agent bottle
- ⑥ Optional 30" trim kit TK7630NMB1

# FISHER & PAYKEL

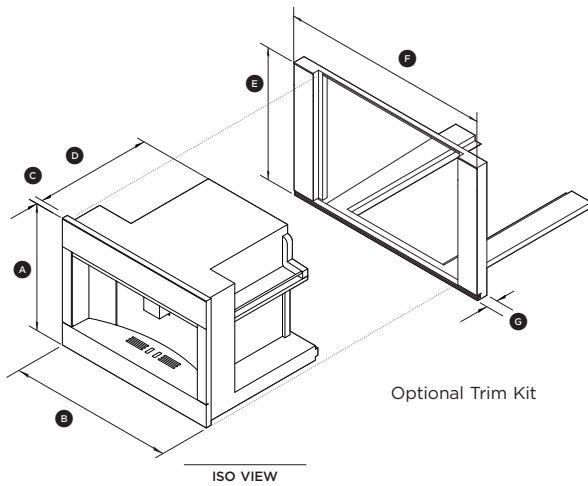
## PRELIMINARY SPECIFICATION GUIDE

## BUILT-IN COFFEE MAKER, 24"

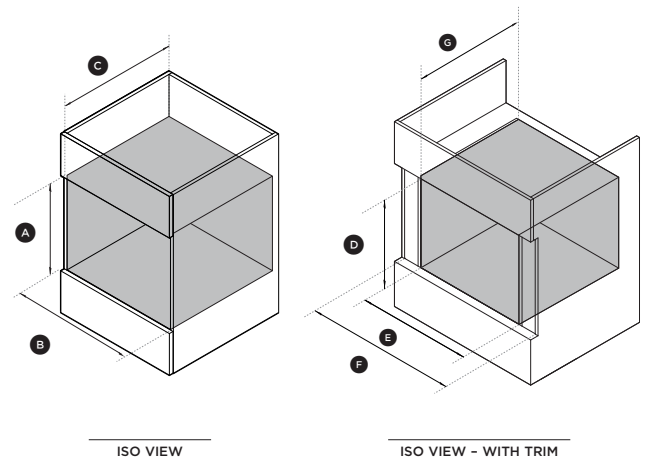
### SPECIFICATIONS

Model No.	EB24MSB1 (Optional 30" Trim Kit TK7630NMB1)
Dimensions	H 18" (458mm) x W 23 7/16" (596mm) x D 18 17/8" (480mm)
Total water tank capacity	17 fl oz (2.4L)
Weight	29kg (unpackaged) 39kg (packaged)
Electrical	
Supply	120V, 50/60Hz
Service	10A circuit

### PRODUCT DIMENSIONS



### CAVITY DIMENSIONS



		in	mm
(A)	Overall height of coffee maker	18"	458
(B)	Overall width of coffee maker	23 7/16"	596
(C)	Depth of coffee maker front and control panel	13/16"	20
(D)	Depth of coffee maker chassis	18 1/8"	460
(E)	Height of optional trim	18 13/16"	478
(F)	Width of optional trim	29 13/16"	757
(G)	Depth of optional trim front	1 5/8"	42

		in	mm
(A)	Height of cavity	17 3/4"	450
(B)	Minimum inside width of cavity	22 1/16"	560
(C)	Minimum inside depth of cavity	21 7/16"	545
(D)	Height of cavity with trim	18 7/8"	480
(E)	Minimum inside width of cavity with trim	22 1/16"	560
(F)	Width needed to include trim within cabinetry	29 15/16"	761
(G)	Minimum inside depth of cavity with trim - proud install	22 1/16"	560
	Minimum inside depth of cavity with trim - flush install	23 5/8"	600

Note: Ventilation required at the rear of the cavity.