

FISHER & PAYKEL

DISHWASHER

DW60U2I and DW60U6I
models

USER GUIDE

NZ AU

This user guide is an accompaniment to your 'Quick start guide' which is included with your dishwasher.

For operating instructions, see your 'Quick start guide'. If you no longer have your 'Quick start guide', you can download it from our local website, listed on the back cover.

Refer to your 'Quick start guide' for information on:

- Starting a wash
- Wash programs and when to use them
- Controls
- Racking features

Safety and warnings	2
Controls and starting a wash	4
Setting Delay start	5
Setting wash modifiers (DW60U6I models only)	6
Setting a 1/2 load (DW60U6I models only)	8
User preference settings	9
User preference settings (DW60U6I models only)	10
Caring for your dinnerware	12
Loading advice	13
Water hardness and dishwashing	14
Wash programmes and detergent quantities	15
Adding detergent	16
Using rinse aid	17
After the wash	18
Care and cleaning	19
Fault codes	22
Troubleshooting	24
Warranty and service	27
Wash programme data	28
Standards tests	29

IMPORTANT!

SAVE THESE INSTRUCTIONS

The models shown in this user guide may not be available in all markets and are subject to change at any time. For current details about model and specification availability in your country, please go to our website www.fisherpaykel.com or contact your local Fisher & Paykel dealer.

SAFETY AND WARNINGS

Your dishwasher has been carefully designed to operate safely during normal dishwashing procedures. Please keep the following instructions in mind when you are using your dishwasher.

IMPORTANT SAFETY INSTRUCTIONS

WARNING! When using your dishwasher, follow basic precautions, including the following:

- Read all instructions before using the dishwasher.
- The information in this manual must be followed to minimise the risk of fire or explosion or to prevent property damage, personal injury or loss of life.
- Use the dishwasher only for its intended function as described in this user guide.
- This appliance is intended to be used in household and similar applications such as:
 - staff kitchen areas in shops, offices and other working environments;
 - farm houses;
 - by clients in hotels, motels and other residential type environments;
 - bed and breakfast type environments.
- Use only detergents or rinse aid recommended for use in a domestic dishwasher and keep them out of reach of children.
- Check that the detergent dispenser is empty after the completion of each wash program.
- When loading items to be washed, locate sharp items so that they are not likely to damage the dishwasher and load sharp knives with the handle up to reduce the risk of cut-type injuries.
- Do not touch the filter plate (the metal disc in the dishwasher base) during or immediately after use, as it may be hot from the heater plate underneath.
- Do not tamper with the controls.
- Do not abuse, sit in, stand on the door or dish rack of the dishwasher.
- Do not lean on the adjustable racks or use them to support your body weight.
- To reduce the risk of injury, do not allow children to play in or on the dishwasher.
- Under certain conditions, hydrogen gas may be produced in a hot water heater system that has not been used for two weeks or more. **HYDROGEN GAS IS EXPLOSIVE.** If the hot water system has not been used for such a period, before using the dishwasher, turn on all hot water taps and let the water flow from each for several minutes. This will release any accumulated hydrogen gas. As the gas is flammable, do not smoke or use an open flame during this time.
- Remove the door to the washing compartment when removing an old dishwasher from service or discarding it.
- Some dishwasher detergents are strongly alkaline. They can be extremely dangerous if swallowed. Avoid contact with the skin and eyes and keep children away from the dishwasher when the door is open. Check that the detergent receptacle is empty after completion of the wash cycle.
- Certified residential dishwashers are not intended for licensed food establishments.

IMPORTANT SAFETY INSTRUCTIONS

Maintenance

- **Disconnect the appliance from the power supply before any cleaning or maintenance.**
- **When disconnecting the appliance pull the plug rather than the power supply cord or junction of cord to avoid damage.**
- **Do not repair or replace any part of the appliance or attempt any servicing unless specifically recommended in this user guide.**
- **We recommend that you contact Customer Care to arrange service. See your ‘Service and warranty’ booklet for contact details.**
- **Keep the floor around your appliance clean and dry to reduce the possibility of slipping.**
- **Keep the area around/underneath your appliance free from the accumulation of combustible materials, such as lint, paper, rags and chemicals.**

Operational

- **Open the door very carefully if the dishwasher is in operation. There is a risk of being sprayed with hot water. Do not open the door fully until the spray arms have stopped rotating.**
- **Always touch the ► button to pause and wait a few seconds before opening the door.**
- **The door should not be left in the open position as this could present a tripping hazard.**
- **The water inside the dishwasher is not suitable for drinking.**
- **The dishwasher must be used with the filter plate, drain filter and spray arm(s) in place. To identify what these parts are, see drawings in section “Care and Cleaning” of this user guide.**
- **Do not operate this dishwasher if it is damaged, malfunctioning, partially disassembled or has missing or broken parts, including a damaged power supply cord or plug.**
- **Household appliances are not intended to be played with by children. Children of less than 8 years old must be kept away from the appliance unless continuously supervised. This appliance can be used by children aged from 8 years and above, and persons with reduced physical, sensory or mental capabilities or lack of experience and knowledge, if they have been given supervision or instruction concerning the use of the appliance in a safe way and they understand the hazards involved.**
- **Cleaning and user maintenance shall not be done by children without supervision.**
- **Do not allow children to play inside, on or with this appliance or any discarded appliance.**
- **If a dishwasher cleaner is used, we would strongly recommend a wash program with detergent should be run immediately afterward, to prevent any damage to the dishwasher.**
- **The dishwasher is designed for washing normal household utensils. Items that are contaminated by petrol, paint, steel or iron debris, corrosive, acidic or alkaline chemicals are not to be washed in the dishwasher.**
- **If the dishwasher is not being used for long periods of time, turn the electricity and water supply to the dishwasher off.**

CONTROLS AND STARTING A WASH

To start a wash programme

- ① Open the door to turn the dishwasher on.
 - The display will show the wash programme time.
- ② Select desired wash programme on the dishwasher control panel.
 - The default cycle when you first turn the dishwasher on is Eco.
 - After the first wash the dishwasher will remember the last programme used.
- ③ Select a wash modifier (*optional, DW60U6I models only*)
 - The selected wash modifier indicator will be lit. (see 'Selecting wash modifiers').
- ④ Press and close the door to start the wash programme

To pause and restart a wash programme

- ① Open the door carefully to pause the programme. The time remaining will flash and the pause beep will sound while the dishwasher is paused.

IMPORTANT!

There is a risk of being sprayed with hot water. Do not fully open the door until the spray arms have stopped rotating.

- ② Load, remove, or rearrange any dishes if needed.
- ③ Close the door to restart the programme.
If the dishwasher is not restarted within 7 minutes, it will then beep until the cycle is restarted.

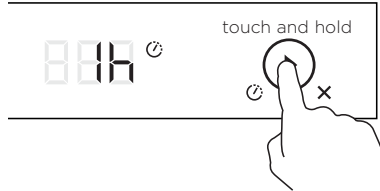
To cancel or change a wash programme

- ① Open the door carefully to pause the programme.
- ② Touch and hold ► to cancel the programme.
- ③ Touch any button to turn the dishwasher back on, and follow the steps above "To start a wash programme".

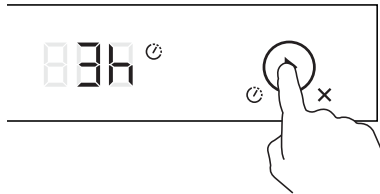
SETTING DELAY START

This feature can delay the start of a wash programme by 1 to 12 hours.

- ① Load the dishes, add detergent and close the door.
- ② Open the door to turn the dishwasher on.
- ③ Check that the display shows the wash programme you require. If not, see instructions for 'Changing the wash programme'.



- ④ Touch and hold ►
 - The delay start indicator (⚡) will light up and the display will show the delay time (hours).



- ⑤ Touch ► again to increase the number of hours you wish to delay the wash by (1hr - 12hr in hour steps).
Note: Scrolling past 12 hours will exit delay start.

- ⑥ Delay start is now set. The display will countdown in hours. The wash programme will automatically start when the delay time is over.



- The Delay start indicator will be on when Delay start begins its countdown.
- If the door is open when the countdown is finished, the dishwasher will beep and the display will flash. After 7 seconds the dishwasher will turn off.

To cancel Delay start, touch and hold ► until there is a beep.

SETTING WASH MODIFIERS (DW60U6I MODELS ONLY)

Along with setting the wash programme, you may select one of the following the additional options:

- **Extra dry:** Increases the wash temperature and the length of the drying phase for improved drying performance. This is especially useful for plastic items.
- **Quick:** Uses additional water and energy for a faster wash time, while maintaining wash performance.
- **Sanitize:** Raises the water temperature during the rinse phase to sanitize dishes. Ideal for washing items such as baby bottles and preserving jars.



To set a wash modifier

- ① After selecting your wash programme, touch to select desired wash modifier. The wash modifier indicator will light up.
 - ② Touch ► once to start the wash.
 - ③ Close the door.
- To cancel, touch modifier again. The wash modifier indicator will go out.

Note: multiple modifiers can be selected depending on the cycle selected.

WASH PROGRAMME	MODIFIER AVAILABLE		
Auto	-	-	-
Medium	Extra Dry	Quick	Sanitize
Eco	-	-	-
Fast	Extra Dry	-	Sanitize
Heavy	Extra Dry	Quick	Sanitize
Delicate	Extra Dry	Quick	-
Rinse	-	-	-

SETTING WASH MODIFIERS (DW60U6I MODELS ONLY)

Using sanitize

The sanitize wash modifier adjusts the wash programme to meet the conditions required by Section 6, NSF 184 for sanitization to occur.


While sanitize is running, the wash programme is monitored to ensure that these conditions are met.

IMPORTANT!

- **For sanitization to occur, the temperature of the water needs to reach 70°C. Check that all items in the dishwasher are dishwasher safe before running the sanitize modifier.**
- **If the wash is interrupted or the water supply is turned off during the cycle, then the heating conditions for sanitization may not be met. You may need to run the cycle again to ensure sanitization of your dishes.**
- **Only cycles utilising the sanitize wash modifier are designed to meet the conditions required by Section 6, NSF 184. Other wash programs may not reach the temperatures required for sanitization to occur. See table on previous page for wash programs that have sanitize available**

At the end of a wash programme with sanitize, always check the display to make sure that sanitization has been successful.

If sanitization has been successful:

- The dishwasher will beep
-  will show in the display
- After 30 seconds the display will turn off.



If sanitization has not been successful:

- An alert will sound
- An alert code will show in the display
- The sanitize indicator will not be lit.



SETTING A 1/2 LOAD (DW60U6I MODELS ONLY)

Half load Option

- If you don't have a full load of dishes to wash, you can choose to use the 1/2 load option. This may be useful if, for example, you only wish to wash the breakfast dishes. The dishes should fill only half the dishwasher, but may be placed in both upper and lower baskets.
- This option is available with the following wash programmes and modifiers:

WASH PROGRAMME AVAILABLE WITH 1/2 LOAD	MODIFIER AVAILABLE WITH 1/2 LOAD
Medium	Extra Dry, Sanitize
Eco	-
Heavy	Extra Dry, Sanitize
Delicate	Extra Dry

To select 1/2 load

- ① Open the door to turn the dishwasher on.
- ② Select a wash programme, and select a wash modifier (if required).
- ③ Touch half load. The half load indicator will light up.



To cancel 1/2 load

- ① Touch half load
- The half load indicator will go out.

Note: 1/2 load cannot be cancelled while a wash programme is running.

USER PREFERENCE SETTINGS

These allow you to:

- Change the rinse aid setting or turn rinse aid on or off.
- Turn the beeps on or off.
- Turn the cavity light on or off (DW60U6I models only)
- Turn the floor light on or off (DW60U6I models only)

To change the rinse aid setting

- ① Open the door to turn the dishwasher on.
 - ② Touch and hold **▶** and Rinse until a beep sounds to enter the user preference menu. The display will show the current Rinse Aid setting.
- Rinse flashes when in preference option mode.



- ③ Touch **▶** to scroll between **RA-** (minimum dispense) to **RA6** (maximum dispense) or **RA-** (rinse aid off).



- ④ Touch Rinse to move on to the next setting or touch and hold **▶** until a beep sounds to exit the user preference menu.

To turn the Beeps on or off

This turns off all sounds on the dishwasher (except for fault alerts).

- ① Make sure the dishwasher is on.
- ② Touch and hold **▶** and Rinse together until a beep sounds to enter the user preference menu. The display will show the current Rinse Aid setting.
- ③ Touch Rinse to scroll to the Beeps menu.



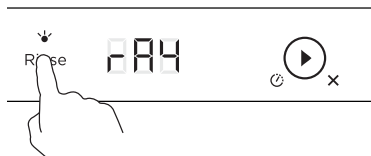
- ④ Touch **▶** to toggle between **bP0** (Beeps On) and **bP-** (Beeps Off)
- ⑤ Touch and hold **▶** until a beep sounds to exit the user preference menu.

USER PREFERENCE SETTINGS (DW60U6I MODELS ONLY)

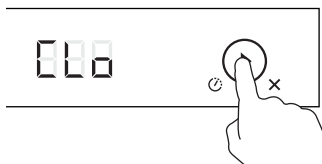
To turn the Cavity Light on or off

- ① Make sure dishwasher is on.
- ② Touch and hold ▶ and Rinse until a beep sounds to enter the user preference menu. The display will show the current Rinse Aid setting.

 - Rinse flashes when in preference option mode.



- ③ Touch Rinse to scroll to the Cavity Light menu.

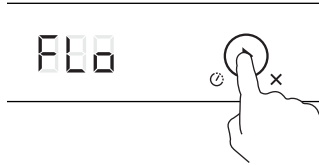


- ④ Touch ▶ to toggle between **CL0** (Cavity Light On) and **CL-** (Cavity Light Off).
- ⑤ Touch and hold ▶ until a beep sounds to exit the user preference menu.

USER PREFERENCE SETTINGS (DW60U6I MODELS ONLY)

To turn the Floor Light on or off

- ① Make sure the dishwasher is on.
- ② Touch and hold **▶** and Rinse together until a beep sounds to enter the user preference menu. The display will show the current Rinse Aid setting.
- ③ Touch Rinse to scroll to the Floor Light menu.



- ④ Touch **▶** to toggle between **FL0** (Floor light On) and **FL-** (Floor light Off)
- ⑤ Touch and hold **▶** until a beep sounds to exit the user preference menu.

FLOOR LIGHT LOGIC

No light	No wash cycle running
Solid light	Wash cycle is running
Slow flashing	Wash cycle is paused
Fast flashing	Washer has a fault

CARING FOR YOUR DINNERWARE

The combination of high temperatures and dishwasher detergent may cause damage to some items if they are washed in the dishwasher. Remember, if in any doubt about any aspect concerning items washed in the dishwasher, follow the instructions from the manufacturer of the items, or wash the item by hand.

IMPORTANT!

Never put highly absorbent materials, such as sponges and towels in your dishwasher. Do not put dishes or cutlery that have been soiled by tobacco ash, wax, lubricating grease or paint in your dishwasher.

Cutlery and silverware

All cutlery and silverware should be rinsed immediately after use to prevent tarnishing caused by some foods. Silver items should not come into contact with stainless steel, e.g. other cutlery. Mixing these items can cause staining. Remove silver cutlery from the dishwasher and hand dry immediately after the programme has finished.

Aluminium

Aluminium can be dulled by dishwasher detergent. The degree of change depends on the quality of the item.

Other metals

Iron and cast iron objects can rust and stain other items. Copper, pewter and brass tend to stain. Wash these items by hand.

Woodware

Wooden items are generally sensitive to heat and water. Regular use in the dishwasher may cause deterioration over time. If in doubt, wash by hand.

Glassware

Most everyday glassware is dishwasher safe. Crystal, very fine and antique glassware may etch that is, become opaque. You may prefer to wash these items by hand.

Plastic

Some plastic may change shape or colour with hot water. Check the manufacturer's instructions about washing plastic items. Washable plastic items should be weighted down so they do not flip over and fill with water or fall through the basket during the wash.

Decorated items

Most modern china patterns are dishwasher safe. Antique items, those with a pattern painted over the glaze, gold rims or hand-painted china may be more sensitive to machine washing. If in doubt, wash by hand.

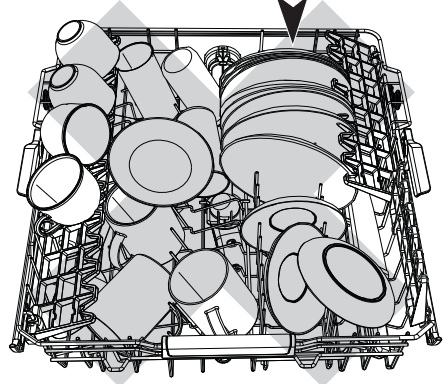
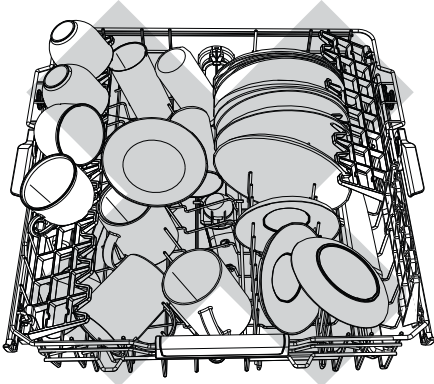
Glued items

Certain adhesives are softened or dissolved in machine washing. If in doubt, wash by hand.

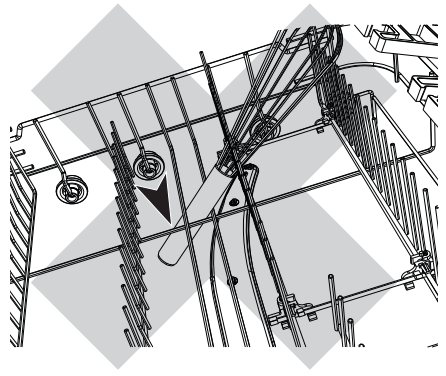
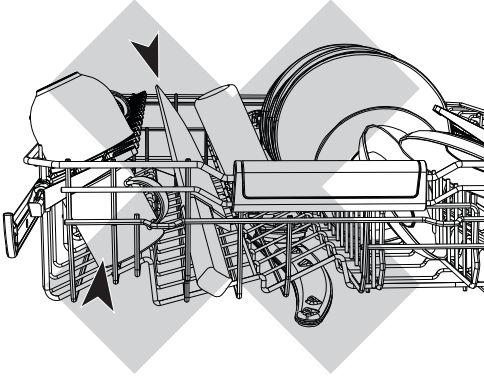
LOADING ADVICE

When loading your dishwasher

- Place items so that water coming from the rotating spray arms below can reach all areas. Especially items on the foldaway cup racks. Wash performance will be reduced if it can't.
- Ensure glass and other fragile items are stable, so that they do not accidentally topple and break during the wash.
- Any flimsy or light plastic items should be be either weighted down or placed on the cup racks or in the cutlery tray.
- Ensure there are no dishware items that will stop the spray arms from rotating.



- Overcrowded and wash water will not reach some of the dinnerware.
- Cups, glasses and bowls must have their openings facing down.
- The plates are nesting together and wash water may not get through.
- Ensure cutlery and utensils are not nesting or stuck together. They need to be evenly spread out.



- The large mug below is blocking wash water reaching the mug on the cup rack.
- Locate sharp items safely to prevent injuring the user and damaging the lid assembly.
- Sharp or pointed items must be placed horizontally or with sharp edges/points facing down to avoid risk of injury.
- Maximum plate height is 260mm.
- Ensure cutlery has not fallen through the base rack and stopped the spray arms from rotating.
- Large utensils should be placed on the foldaway cup racks so they do not become dislodged and stop the spray arms from rotating.
- Check the bottom of the cutlery basket to ensure sharp or pointed items have not come through as they may stop spray arm rotation.

WATER HARDNESS AND DISHWASHING

What is water hardness?

Hard water is water with a high concentration of minerals such as calcium and magnesium. In soft water, this concentration is low. Water hardness varies by geographical location.

How does water hardness affect dishwashing?

- Hard water can be detrimental to the performance of your dishwasher. Over time, glassware washed in hard water will become opaque and dishes will become spotted or covered in a white film. Using very hard water can cause dishwasher parts to fail over time.
- Naturally soft or softened water has no detrimental effects if used with the correct amount of detergent. However, excess detergent combined with hot, soft water may cause irreversible etching on glassware. Etching first appears as a rainbow-coloured film and—if allowed to continue—can make glassware permanently opaque.

What can I do to minimise any detrimental effects?

Contact your local water company to find out about water hardness in your area.

If your home has hard water ...

- Increase the amount of detergent used.
- Use a detergent with high phosphate content. Phosphate softens the water and this improves wash results. You could also try using multi-purpose tablets.
- Use rinse aid. We recommend you turn the rinse aid **on** and to at least setting **5** to help improve wash performance.
- Use a dishwasher cleaner/descaler regularly, or whenever you notice a build-up of limescale deposits in your dishwasher.

IMPORTANT!

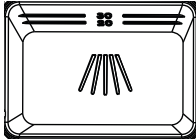
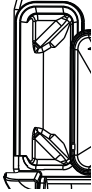
We recommend fitting a water softener to the household water supply. If the water hardness in your home is above 250 ppm/14.6 gpg, a water softener has to be fitted to maintain the performance of your dishwasher.

If your home has naturally soft water or a water softener fitted

- Avoid using too much detergent. Follow the quantity recommendations on the following page.
- Ensure the dishwasher is not overloaded and water can reach all the dishes.

WASH PROGRAMMES AND DETERGENT QUANTITIES

- The quantities in the table below are for powdered detergent and typical levels of soiling. If your home has softer or harder water, or to suit the particular load, you may need to adjust these quantities.
- If you are using tablets, follow the tablet manufacturer's recommendations.
- The indicator light will show which option has been selected.

PROGRAMME	RECOMMENDED LOAD	QUANTITY OF POWDERED DETERGENT FOR EACH COMPARTMENT (grams)	
		Main Wash	Pre-Wash
			
Auto	Any type of load. The dishwasher automatically selects the optimum wash programme	20-35 g depending on soils	none
Heavy	Heavily soiled pots, pans, baking dishes	35 g	5 g
Medium	Dishes with normal soils for optimum wash and dry performance	35 g	5 g
Eco	Normally soiled dishes for optimum energy and water usage	28.75 g	5 g
Fast	Very lightly soiled mixed dishes	20 g	none
Delicate (some models only)	Lightly soiled delicate (e.g. heat-sensitive) items	20 g	none
Rinse	Prevents odours and soils drying on dishes before they are washed	none	none

ADDING DETERGENT

IMPORTANT!

- Only use detergents recommended for automatic dishwashers.
- Dishwasher detergents are strongly alkaline. They can be extremely dangerous if swallowed. Avoid contact with the skin and eyes and keep children and infirm persons away from the dishwasher when it is open. Check that the detergent dispenser is empty after completion of each wash programme.
- Never sprinkle or pour detergent directly onto any item in the dishwasher. Detergent and dishwasher tablets should not be in direct contact with dishes or cutlery.
- Do not use hand washing liquids, soap, laundry detergents or disinfectants, as these will damage the dishwasher.

Filling the detergent dispenser

- ① Touch the button on the right of the dispenser.

IMPORTANT!

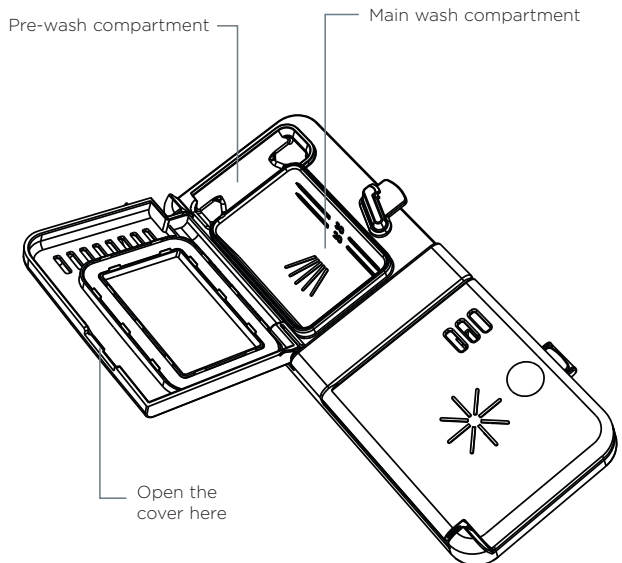
Approach the dispenser from the right-hand side to prevent the cover from snapping open on your hand.

- ② Add detergent into the appropriate compartment(s). If you are using powdered detergent, see the recommended quantities on the previous page. The '20' and '30' markings in the main wash compartment correspond to grams of powdered detergent.

IMPORTANT!

Tablets should only be placed in the main wash (larger) compartment.

- ③ Remove any excess detergent from the edges of the dispenser.
- ④ Close the cover and touch down until it clicks shut. The detergent will automatically be released into the dishwasher during the wash programme.



USING RINSE AID

We highly recommend using liquid rinse aid regularly to get the best drying results. Rinse aid gives a streak-free, sparkling clean look to glass and chinaware. In addition, it prevents metal from tarnishing.

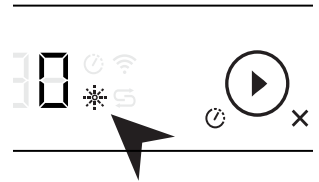
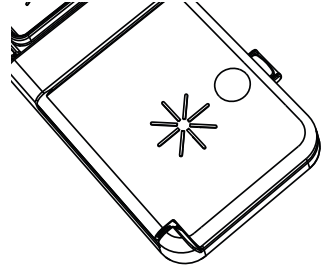
When to refill the rinse aid dispenser

When rinse aid level becomes low, the rinse aid indicator on the control panel will light up to remind you to refill the dispenser.

Adjusting the rinse aid dosage

The normal, factory-set dosage level is 5, but you may need to adjust this to suit your water conditions.

- If there is excessive foaming at the end of the wash, reduce the dosage.
- If you live in a hard water area or if dishes are wet or streaky after drying, increase the dosage.
- To adjust the rinse aid setting: see 'User preference settings' for how to do this.
- If you are using tablets with built-in rinse aid, we recommend setting the rinse aid dosage level to off (R-).



Rinse aid indicator
(on control panel)

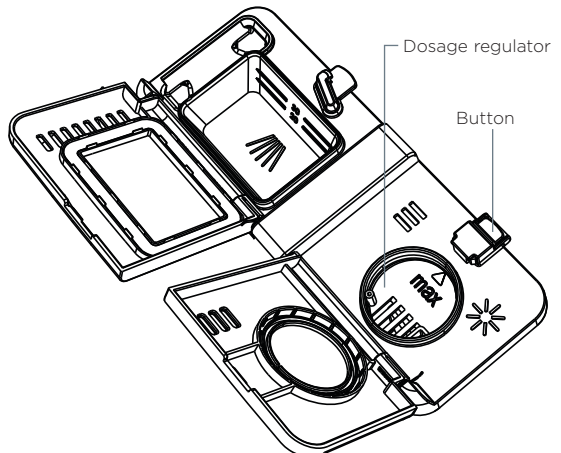
How to refill the rinse aid dispenser

- ① Touch the button to snap the dispenser cover open.
- ② Pour rinse aid into the circular opening, making sure not to fill beyond the MAX marking.

IMPORTANT!

Take care not to spill rinse aid into the dishwasher. Any spills must be wiped up to prevent excess foaming. Failure to do so may result in a service call, which will not be covered by warranty.

- ③ Close the cover, making sure it clicks shut.



AFTER THE WASH

When the wash programme is over, the dishwasher will beep six times, then automatically turn off in a few seconds.

- ① Open the door slightly and leave it ajar (about 100mm) to help the drying process.
- ② Once the dishes are cool to touch, they can be removed.

IMPORTANT!

Never leave the dishwasher door in the fully open position, as this could present a tripping hazard.

- ③ Check that the detergent dispenser is completely empty. If it isn't, wipe out with a damp cloth.
- ④ Inspect your dishwasher regularly to see if it needs any cleaning or maintenance:
 - Check that no grease or limescale deposits have accumulated on the inside.
 - If there are food particles in the filters, these need to be cleaned as well.
 - See section 'Care and cleaning' for cleaning and maintenance instructions.

Holiday time

If the dishwasher is not going to be used for some time:

- Ensure the baskets are empty.
- Leave the inside of the dishwasher clean.
- Leave the dishwasher door ajar to allow air to circulate.
- Turn off both the power and water supply to the dishwasher.

CARE AND CLEANING

Over time, food residue or limescale deposits may accumulate inside your dishwasher. These may reduce efficiency, and food residue may produce a bad odour. Inspect and clean your dishwasher regularly.

IMPORTANT !

- **Before any cleaning or maintenance, always disconnect the dishwasher from the power supply, turn off the water supply, and wait until all parts of the dishwasher have cooled.**
- **Do not use the following cleaning aids, as they may damage the surfaces:**
 - plastic or stainless steel scouring pads
 - abrasive, solvent, household cleaners
 - acid or alkaline cleaners
 - laundry detergents or disinfectants
 - stainless steel cleaners or polishes
 - hand-washing liquids or soap
- **Where there is broken crockery or glass in the dishwasher, it must be carefully removed to prevent personal injury or damage to the appliance.**
- **After cleaning, always check that the spray arms and filters are all correctly in place.**

CARE AND CLEANING

Cleaning the dishwasher exterior

- To clean exterior surfaces of the dishwasher, wipe with a clean, soft damp cloth and dry with a clean, lint-free cloth.
- For non-flush surfaces wipe along or around the surface. For example, to wipe down the exterior control buttons, use a circular wiping motion around the button.
- Take care not to cause excessive wetting of the control panel area.
Note: before cleaning the control panel, it is useful to disable the buttons by activating Keylock.

Cleaning the door seal and dishwasher interior

Clean thoroughly with warm water on a soft, lint-free cloth. If the interior is heavily soiled, use a dishwasher cleaner/descaler following the manufacturer's instructions.

Cleaning the filters

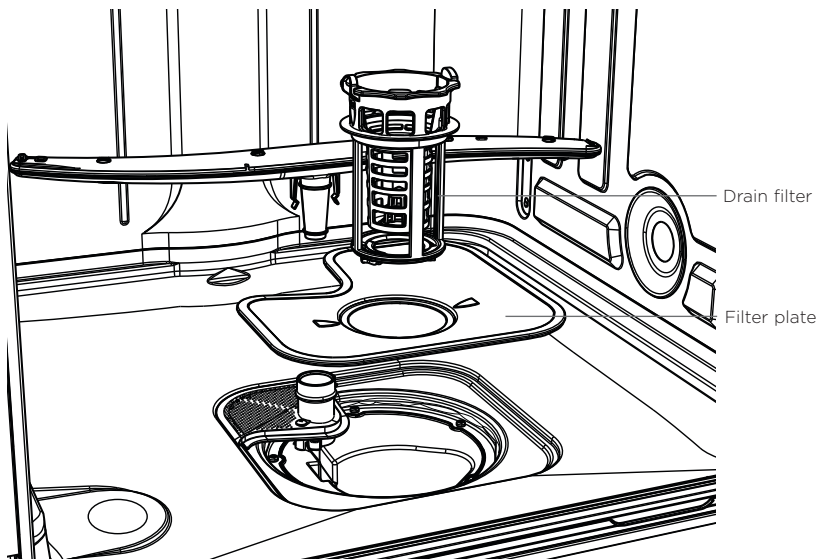
The filters prevent larger food particles in the wash water from reaching the pump. These particles may occasionally block the filters. We recommend cleaning the filters whenever there is evidence of food particles.

- To remove the drain filter, turn the filter anti-clockwise to release, then lift out.
- Once the drain filter has been removed you can lift the filter plate out.
- Rinse them thoroughly under running water and then replace.

IMPORTANT !

When cleaning the underside of the filter plate, take care handling its sharp outer edge.

- Replace the filters correctly after cleaning, making sure the filter plate is flush with the dishwasher base.



CARE AND CLEANING

Cleaning the spray arms

Limescale and food particles in the wash water can block the holes in the spray arms and the arm mountings. Clean these parts about once a month, or more often should the need arise.

Cleaning the upper spray arm/head

Do not remove the upper spray arm for cleaning. Clean with a small plastic-bristled brush, or if heavily soiled or blocked use a dishwasher cleaner/descaler following the manufacturer's instructions.

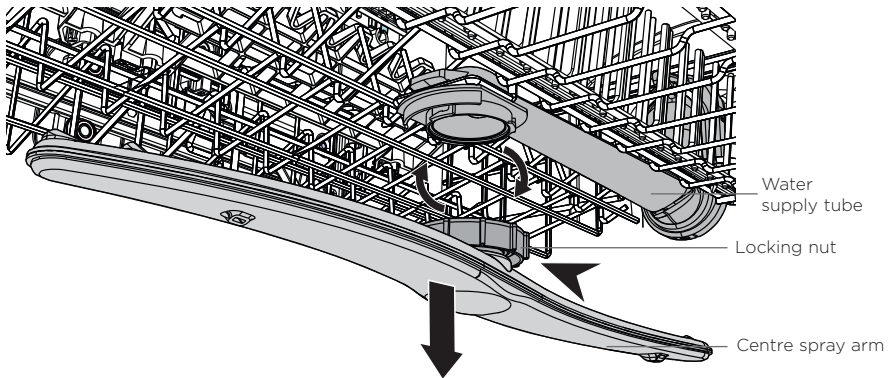
Cleaning the centre spray arm

- To remove the centre spray arm, carefully unscrew its locking nut.
- Rinse the spray arm thoroughly under running water, then refit.

IMPORTANT !

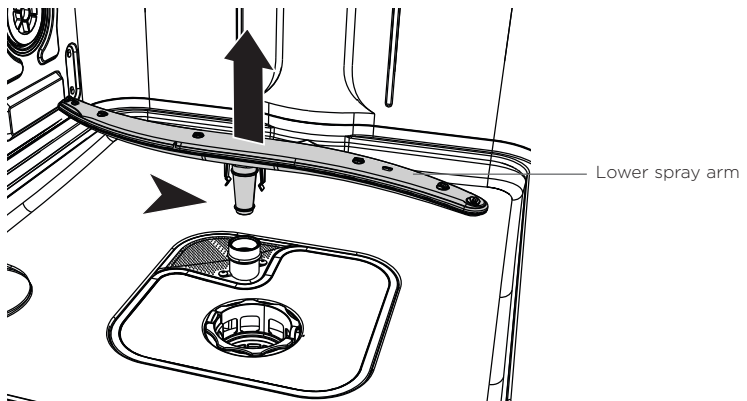
Make sure you twist the locking nut on the centre spray arm firmly back on the water supply tube.

Check that the centre spray arm is firmly locked in place and rotates freely.



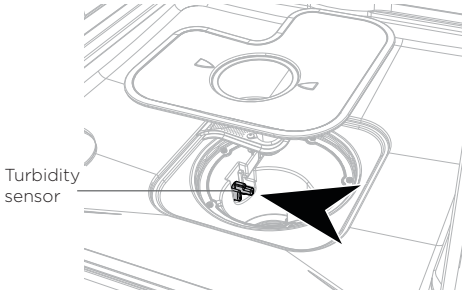
Cleaning the lower spray arm

- To remove the lower spray arm, simply lift the spray arm off its mounting.
- Rinse the spray arm thoroughly under running water, then refit it on its mounting.



FAULT CODES

If the dishwasher malfunctions, it will display a fault code and beep. Check the following table below to see if you can correct the fault yourself.

FAULT CODES AND DESCRIPTIONS	POSSIBLE CAUSES	WHAT TO DO
A20 Drain fault	Drain hose is crimped or bent.	Check the drain hose and straighten if needed.
	The waste water is not draining out.	Ensure that the drain hose is connected in accordance with the installation instructions.
	The turbidity sensor is dirty and requires cleaning.	Gently clean the turbidity sensor with a soft brush (ie toothbrush) to remove any buildup.
		
A10 No water	Water tap not turned on.	Ensure the water is connected and turned on. Touch ► to restart the dishwasher.
	Insufficient water supply pressure.	Check household water pressure.
	Water inlet hose is crimped or bent, so no or not enough water gets to the dishwasher.	Check the water inlet hose and straighten if needed. Touch ► to restart the dishwasher.
	Drain hose is not connected correctly.	Ensure that the drain hose is connected in accordance with the installation instructions.

FAULT CODES

FAULT CODES AND DESCRIPTIONS	POSSIBLE CAUSES	WHAT TO DO
F30 Flooding	Flood switch activated.	Turn the dishwasher OFF and ON again. If fault persists, turn water off and disconnect the dishwasher from the power supply. Call Customer Care.
F40	Water flow error.	Switch dishwasher OFF and ON again. If fault persists call Customer Care.
F50	Electronics error.	Switch dishwasher OFF and ON again. If the fault persists call Customer Care.
A60	Water temperature error.	Switch dishwasher OFF and ON again. If fault persists call Customer Care.
F90 (DW60U6I only)	Data/electronics error.	Switch dishwasher OFF and ON again. If fault persists call Customer Care.
FR0	Electronics/power supply error.	Switch dishwasher OFF and ON again. If fault persists call Customer Care.
FC0 (DW60U6I only)	Motor fault.	Switch dishwasher OFF at the power supply. Wait a few moments and switch ON again. If the fault persists, turn water off and disconnect from the power supply. Call Customer Care.

If the dishwasher still will not work, or if it displays a fault code not listed here

- ① Touch and hold ► to clear the fault
- ② Touch and hold ► again to turn the dishwasher off and wait a few minutes.
- ③ Open door to turn the dishwasher back on.

If the dishwasher still does not function and/or the problem persists, disconnect the dishwasher from the power supply, turn the water supply off, then contact Fisher & Paykel Customer Care with the fault code information.

TROUBLESHOOTING

PROBLEM	POSSIBLE CAUSE	WHAT TO DO
Dishwasher will not start.	No power.	Ensure the dishwasher is plugged in and the power supply is turned on at the wall.
	The door is not properly closed.	Close the door.
	Water tap not turned on.	Ensure water is connected and turned on.
	Blocked strainer in water inlet hose.	Check the strainer and clean if necessary—it is located where the water inlet hose screws into the tap.
Lower spray arm rotates with difficulty.	Spray arm holes are blocked by small items or food particles.	Clean the spray arm. See 'Care and cleaning' for instructions.
Cover of detergent dispenser cannot be closed.	Detergent compartment has been overfilled.	Remove detergent until the cover can be closed.
	Detergent dispenser is clogged with remnants of detergent.	Wipe dispenser out with a damp cloth. Dry the dispenser before adding detergent.
Remnants of detergent stuck inside dispenser.	Compartment was damp when filled with detergent.	Wipe dispenser out with a damp cloth. Dry the dispenser before adding detergent.
Water remains inside dishwasher after wash has ended.	Drain hose is crimped, bent, or blocked.	Check the drain hose and straighten if needed.
	Pump is jammed.	Call your Fisher & Paykel Authorised Service Centre or Customer Care.
	Filter(s) blocked.	Clean the filter(s). See 'Care and cleaning' for instructions.
Foaming.	Incorrect amount or type of detergent used.	See section 'Adding detergent' or consult the detergent manufacturer's instructions.
	Too much egg in the wash load.	Increase the amount of detergent.
	Rinse aid dosage level too high.	Decrease the rinse aid dosage.
	Rinse aid spills not wiped up.	Ensure that all rinse aid spills are wiped up when they occur.
Display shows the letters F, L, P, C or S.	Dishwasher is in Technician Mode.	Touch and hold ► to exit. If the Dishwasher remains in Technician Mode call Customer Care

TROUBLESHOOTING

PROBLEM	POSSIBLE CAUSE	WHAT TO DO
The dishwasher stops suddenly during the wash.	Power or water supply has been interrupted.	Check the power and water supplies.
Knocking or rattling sound during wash.	Spray arm knocking against dishes.	Pause the wash and rearrange dishes. See sections 'Controls and starting a wash' and 'Loading'.
	Dishes have been stacked incorrectly.	
Unclean dishes.	Wash programme unsuitable for load.	See section 'Wash programmes and detergent quantities' and select a suitable programme.
	Soils were too heavily baked on.	Dishes may need soaking.
	Spray arm(s) unable to rotate.	Ensure no items are obstructing the spray arm path.
	Dishwasher overloaded or incorrectly loaded.	See the 'Loading' section.
	The filters are incorrectly inserted.	See section 'Care and cleaning'.
	Detergent put in the wrong compartment.	See sections 'Wash programmes and detergent quantities' and 'Adding detergent'.
	Excessive food not removed from dishes before loading.	Scrape all food scraps off dishes before loading.
	Unsuitable detergent.	Only use powdered or tablet detergent designed for domestic dishwashers.
	Not enough detergent.	See 'Wash programmes and detergent quantities' for recommended quantities. You may need to adjust these to suit your particular load and the hardness of your water supply.
	Spray arm holes are blocked.	Clean the spray arm(s). See 'Care and cleaning' for instructions.
The filters are blocked.	Clean the filters. See 'Care and cleaning' for instructions.	
Plastic items are discoloured (e.g. stain left by tomato sauce).	Not enough detergent, not pre-rinsed.	Pre-rinse plastic dishes before placing in the dishwasher and/or add more detergent. Alternatively, using the Rinse programme after adding dishes may minimise staining.

TROUBLESHOOTING

PROBLEM	POSSIBLE CAUSE	WHAT TO DO
White stains are left on dishes; glasses have a milky appearance.	Not enough detergent.	See section 'Wash programmes and detergent quantities' for recommended quantities. You may need to adjust these to suit the hardness of your water supply.
	Rinse aid dosage too low.	Increase rinse aid dosage. See 'Using rinse aid'.
Dishes, cutlery have not dried.	Rinse aid dosage too low.	Increase rinse aid dosage. See 'Using rinse aid'.
	Items removed too soon.	After the end of the wash programme, leave the door ajar and wait for several minutes to help drying.
	Rinse aid dispenser empty. (The rinse aid indicators are lit.)	Add rinse aid. See section 'Using rinse aid' for instructions.
Glasses have dull appearance.	Rinse aid dosage too low.	Increase rinse aid dosage. See 'Using rinse aid'.
Tea stains or traces of lipstick have not been completely removed.	Not enough detergent.	See section 'Wash programmes and detergent quantities' for recommended quantities. You may need to adjust these to suit your particular load.
	Wash temperature too low.	Select a wash programme with a higher temperature (see section 'Wash programme data' for information).
Traces of rust on cutlery.	Cutlery is not sufficiently rustproof.	Wash by hand.
Glasses clouded and discoloured; milky coating	Hard water situation.	Increase detergent quantities.
	Glasses are not dishwasher proof.	Wash by hand.
Water marks left on glasses and cutlery.	Rinse aid level or dosage setting is too low.	Ensure there is rinse aid in dispenser. If necessary, increase the rinse aid setting or try using a wash programme with a higher temperature. See sections 'Using rinse aid' and 'Wash programme data'.
Hard water		Increase the rinse aid setting and the amount of detergent. See section 'Water hardness and dishwashing'. If living in an area with very hard water, consult a plumber on installing a household water softener.

WARRANTY AND SERVICE

Before you call for service or assistance ...

Check the things you can do yourself. Refer to the installation instructions and your user guide and check that:

- ① Your product is correctly installed.
- ② You are familiar with its normal operation.

If after checking these points you still need assistance or parts, please refer to the Service & Warranty book for warranty details and your nearest Authorised Service Centre, Customer Care, or contact us through our website www.fisherpaykel.com.

Complete and keep for safe reference:

Model _____
Serial No. _____
Purchase Date _____
Purchaser _____
Dealer _____
Suburb _____
Town _____
Country _____

WASH PROGRAMME DATA

DW60U2I

	AUTO	MEDIUM	ECO*	FAST	HEAVY	DELICATE	RINSE
Stages	pre-wash	pre-wash			pre-wash		rinse 45°C
	main wash 45-68°C	main wash 60°C	main wash 44°C	main wash 45°C	main wash 68°C	main wash 45°C	
	post-rinse	post-rinse	post-rinse		post-rinse	post-rinse 45°C	
	final rinse 70°C	final rinse 70°C	main wash 46°C	final rinse 55°C	final rinse 70°C	final rinse 55°C	
	drying	drying	drying	drying	drying	drying	

*reference programme for energy label compliance with AS/NZS 2007

DW60U6I

	AUTO	MEDIUM	ECO*	FAST	HEAVY	DELICATE	RINSE
Stages	pre-wash	pre-wash	pre-wash		pre-wash		rinse 45°C
	main wash 45-68°C	main wash 60°C	main wash 44°C	main wash 45°C	main wash 68°C	main wash 45°C	
	post-rinse	post-rinse			post-rinse	post-rinse 45°C	
	final rinse 70°C	final rinse 55°C	main wash 44°C	final rinse 55°C	final rinse 55°C	final rinse 50°C	
	drying	drying	drying	drying	drying	drying	

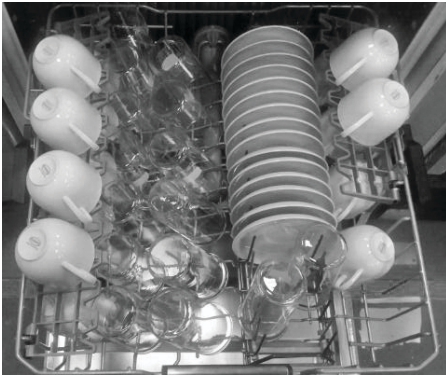
*reference programme for energy label compliance with AS/NZS 2007

STANDARDS TEST (DW60U6I MODELS ONLY)

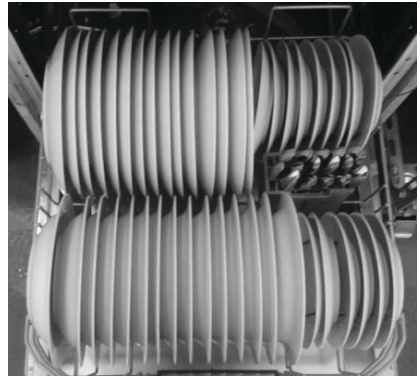
The dishwasher is tested to AS/NZS 2007 standards for both wash and dry performance using the parameters detailed below.

Wash programme	Eco When the programme is finished, open the door 100mm to help with drying
Powdered detergent quantities	5 g pre-wash + 28.75 g main wash
Rinse aid dosage level	5
Maximum number of place settings	15
Height adjustment of upper basket	Ensure the upper basket is in its lowermost position

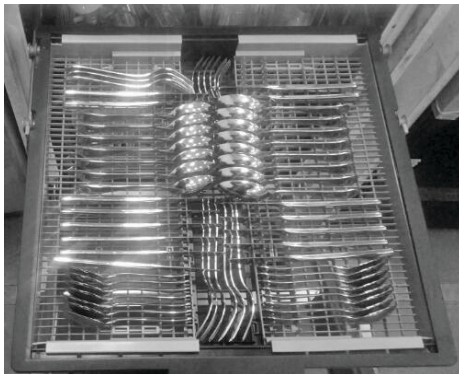
Recommended loading patterns



Upper basket



Lower basket



Cutlery tray

FISHERPAYKEL.COM

© Fisher & Paykel Appliances 2019 All rights reserved.

The product specifications in this booklet apply to the specific products and models described at the date of issue. Under our policy of continuous product improvement, these specifications may change at any time. You should therefore check with your Dealer to ensure this booklet correctly describes the product currently available.

NZ AU

591900A / 0120500575E 03.19