

# Integrated Single DishDrawer™ Dishwasher, Tall, Sanitise

Series 11 | Integrated

Panel Ready

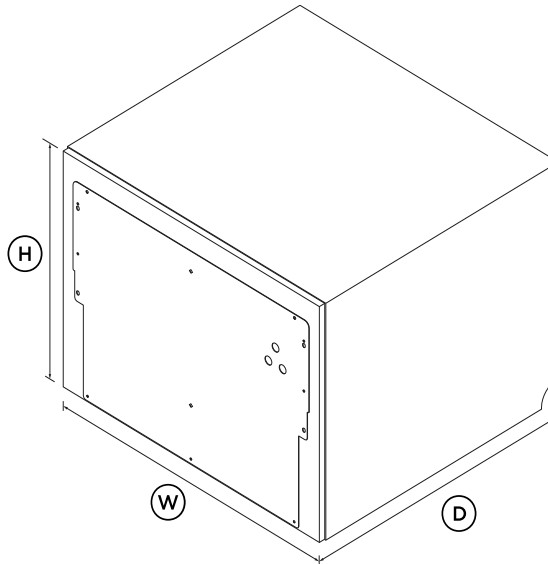


Place anywhere in your kitchen at bench height for easy loading and seamless integration. Features a premium stainless steel interior.

- Eight wash cycles from Heavy to Light, including Auto, 60min and Glassware
- Fits plates up to 310mm, with flexible racking to accommodate other large cookware
- With soft-close drawers, and knock to pause convenience

## DIMENSIONS

Height	454mm
Width	599mm
Depth	553mm



## FEATURES & BENEFITS

### Seamless Integration

With the flexibility of ergonomic placement and function, single DishDrawer™ Dishwashers can be distributed throughout the kitchen to support patterns of use. The touch-sensitive control panel is located inside this Integrated model, leaving an uninterrupted exterior that blends seamlessly with surrounding cabinetry.

### EASE OF USE

DishDrawer™ Dishwashers are beautiful to use with soft-close

drawers, and can be conveniently positioned at bench height for ease of loading and minimal bending. Flexible racking includes height-adjustable cup racks and wine glass supports.

### Flexible wash options

Eight wash programs including Auto, 60min and Glassware, while modifiers such as Sanitise, Extra Dry and Quiet provide added wash flexibility. The Quiet wash modifier reduces the noise on some cycles while maintaining performance – perfect for late night washing.

### Design Quality

Every detail has been carefully crafted using quality materials, from the easy-to-clean stainless steel interior to the spray arm sensor that detects jams for increased wash confidence.

### Knock to pause

For ease-of-use, these DishDrawer™ Dishwashers have a knock to pause function. A knock on the front panel will pause the dishwasher, which can be restarted by using the start button.

### Quiet performer

Running at a low decibel rating of 43dBA, these DishDrawer™ Dishwashers do their job without making a fuss. The combination of intelligent technology and simple mechanics means greater reliability and excellent wash performance.

### Efficient Performance

This DishDrawer™ Dishwasher uses the water it needs without compromising on wash performance.

## SPECIFICATIONS

### Accessories

- Cutlery basket
- Knife clip and multipurpose

### Accessories (sold separately)

Door panel black stainless steel **ADD60STPB**

Door panel stainless steel **ADDD60STPX**

**Capacity and loading**

Accommodates round plates **310mm**  
 Adjustable height, foldable •  
 Fold down tines •  
 Pitch adjustable tines •  
 Place settings **6**  
 Wine glass supports with •

**Controls**

Electronic fault/Diagnostic •  
 End of cycle beeps •  
 Energy saving delay start •  
 Internal wash selector •  
 Intuitive capacitive touch •  
 Keylock •  
 Knock to pause •  
 Rinse aid indicator light •  
 Spray arm sensing •

**Features**

Built-in water softener •  
 Fan assisted drying •  
 Flood protection •  
 Flow through detergent •  
 Internal tub material **Stainless steel**  
 Quiet operation •  
 SmartDrive™ technology •  
 Soft close drawer •

**Performance**

Noise emissions **44dBA**

**Power requirements**

Amperage **5A**  
 Supply frequency **50Hz**  
 Supply voltage **220 - 240V**

**Product dimensions**

Depth **553mm**  
 Height **454mm**  
 Width **599mm**

**Warranty**

Parts and labour **2 years**

**Wash Program Modifiers**

Dry + •  
 Quiet •  
 Sanitise •  
 Wash modifiers **3**

**Wash Programs**

60 min •  
 Auto •  
 Eco •  
 Glassware •  
 Heavy •  
 Light •

Medium •  
 Rinse •  
 Wash programs **8**

**Water connection**

Water pressure **100kPa - 1000kPa**  
 Water supply **3/4" BSP (20mm) Connector**

SKU **82186**

The product dimensions and specifications in this page apply to the specific product and model. Under our policy of continuous improvement, these dimensions and specifications may change at any time. You should therefore check with Fisher & Paykel's Customer Care Centre to ensure this page correctly describes the model currently available. ? Fisher & Paykel Appliances Ltd 2020

---

Other product downloads available at [fisherpaykel.com](https://fisherpaykel.com)



Service & Warranty



User Guide Integrated DishDrawer™ Dishwasher EN



User Guide Integrated DishDrawer™ Dishwasher ZH



Installation Guide Single DishDrawer™ Dishwasher



Specification Guide Integrated Single DishDrawer™ Dishwasher



Data Sheet DishDrawer™ Dishwasher



**A PEACE OF MIND SALE**

24 Hours 7 Days a Week Customer Support

**T** +65 6741 0777 **W** [www.fisherpaykel.com](https://www.fisherpaykel.com)