

# Oven, 60cm, 16 Function, Self-cleaning

Series 9 | Minimal

Black

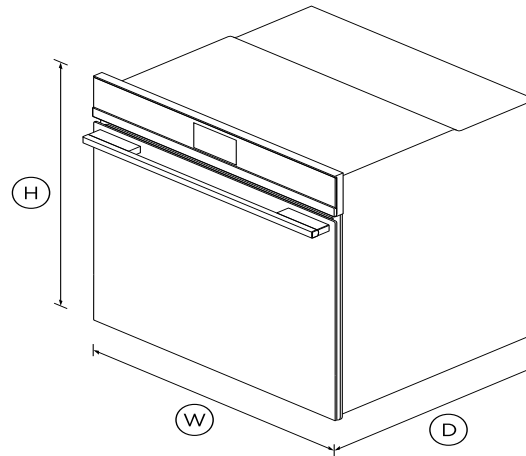


A highlight of the Fisher & Paykel collection, this Series 9 oven with touchscreen ensures that every dish is cooked to perfection.

- Touchscreen guided cooking capability offers helpful tips for different food types as well as full recipes
- 85L total capacity with 16 oven functions including Roast and Pastry Bake
- Moisture level control with ActiveVent™ technology
- Pyrolytic self-cleaning function breaks down food residue for an easy clean

## DIMENSIONS

Height	598mm
Width	596mm
Depth	565mm



## FEATURES & BENEFITS

### Cook with confidence

Our touchscreen interface provides an intuitive guided cooking experience that helps deliver perfect results, whether you've been cooking all your life or just starting out. Cook with a favourite method, a hero ingredient, or a go-to cooking function or recipe.

### Generous capacity

With a generous 85L total capacity, you can create several perfectly cooked dishes at once using multiple shelves.

### Exceptional performance

Our unique cooking technologies were developed to deliver perfect results. ActiveVent ensures optimised moisture levels, while AeroTech circulates heat evenly for a consistent temperature.

### Multi-function flexibility

The cooking functions have each been tailored, tested, tweaked and perfected to ensure that no matter what you're cooking, you've got the right heat to match. A food probe precisely monitors cooking in real time, giving you complete control.

### Self-cleaning

Our pyrolytic self-cleaning technology breaks down food residue at a very high temperature, leaving a light ash that's easily removed with a damp cloth. The enamel coated side racks don't need to be removed when using this function.

### Design freedom

Available in an elegant black or a stylish black with stainless steel, this oven is designed to fit seamlessly into your kitchen. Premium materials and detailing to support a cohesive, considered kitchen design.

## SPECIFICATIONS

### Accessories

Food probe	1
Full extension sliding shelves	2 sets
Grill rack	1 set
Roasting dish	1
Step down wire shelf	1

### Capacity

Shelf positions	6
Total gross	85L

**Cleaning**

- Acid resistant graphite enamel •
- Pyrolytic self-clean •
- Removable oven door •
- Removable oven door inner •
- Removable shelf runners •

**Controls**

- Adjustable audio and display •
- Automatic cooking/minute •
- Automatic pre-set •
- Celsius/Fahrenheit •
- Connected Fisher and Paykel •
- Electronic clock •
- Electronic oven control •
- Food probe •
- Guided cooking by food type •
- Intuitive touchscreen display •
- Multi-language display **UK English, US English,**
- Precise electronic temperature •
- Soft open and close door •
- Wi-Fi connectivity •

**Functions**

- Air fry •
- Bake •
- Classic bake •
- Dehydrate •
- Fan bake •

- Fan forced •
- Fan grill •
- Grill •
- Number of functions **16**
- Pastry Bake •
- Pizza bake •
- Pyrolytic self-clean •
- Rapid proof •
- Roast •
- Slow cook •
- Vent bake •
- Warm •

**Performance**

- ActiveVent™ system •
- AeroTech™ technology •
- Automatic rapid pre-heat •
- Grill power **3000W**
- Whisper quiet cooking •

**Power requirements**

- Supply frequency **50Hz**
- Supply voltage **220 - 240V**

**Product dimensions**

- Depth **565mm**
- Height **598mm**
- Width **596mm**

**Safety**

- Advanced cooling system •
- Balanced oven door •
- Catalytic venting system •
- Control panel key lock •
- CoolTouch door •
- Full extension sliding shelves •
- Non-tip shelves •

SKU 81912

The product dimensions and specifications in this page apply to the specific product and model. Under our policy of continuous improvement, these dimensions and specifications may change at any time. You should therefore check with Fisher & Paykel's Customer Care Centre to ensure this page correctly describes the model currently available. ? Fisher & Paykel Appliances Ltd 2020

---

Other product downloads available at [fisherpaykel.com](http://fisherpaykel.com)

- [↓](#) Service & Warranty
- [↓](#) User Guide
- [↓](#) Installation Guide
- [↓](#) Specification Guide Oven
- [↓](#) Data Sheet Oven



**A PEACE OF MIND SALE**

24 Hours 7 Days a Week Customer Support

T 0800 372 273 **W**[www.fisherpaykel.com](http://www.fisherpaykel.com)