

Double DishDrawer™ Dishwasher

Series 7 | Contemporary

White

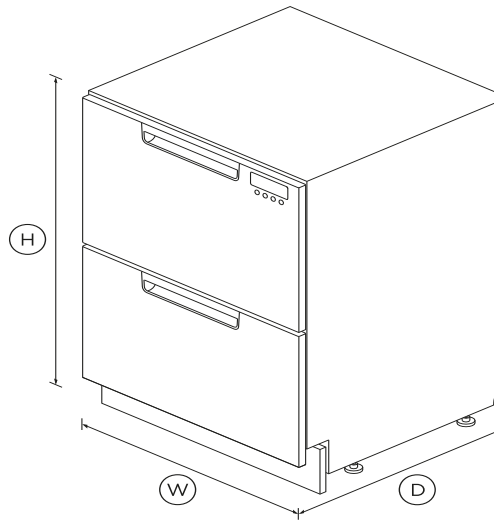


Wash one drawer while you load the other, with minimal bending and room in each drawer for full-size dinner plates.

- Six wash programs to suit any load from Delicate to Heavy
- Flexible racking allows you to customise internal shelves to suit your needs

DIMENSIONS

Height	820 - 880mm
Width	599mm
Depth	573mm



SPECIFICATIONS

Accessories

Cutlery basket	•
Kickstrip	included

Capacity and loading

Accommodates round plates	280mm
Fixed height, foldable cupracks	•
Fold down tines	•

Place settings	14
----------------	----

Consumption

Energy rating	3.5 star
Energy usage	136kWh/year
Water rating	4.5 star (WELS)
Water usage (per wash cycle)	6.9L

Controls

Child lock	•
Electronic fault/Diagnostic	•
End of cycle beeps	•
Energy saving delay start	•
Rinse aid indicator light	•

Features

Fan assisted drying	•
Flow through detergent	•
Quiet operation	•
SmartDrive™ technology	•

Performance

Noise on standard cycle top	44dBA
-----------------------------	-------

Power requirements

Amperage	8.5A
----------	------

Product dimensions

Depth	573mm
-------	-------

Height	820 - 880mm
Width	599mm

Warranty

Parts and labour	2 years
------------------	---------

Wash Programs

Delicate	•
Eco	•
Fast	•
Heavy	•
Medium	•
Rinse	•
Wash programs	6

SKU	82309
-----	-------

The product dimensions and specifications in this page apply to the specific product and model. Under our policy of continuous improvement, these dimensions and specifications may change at any time. You should therefore check with Fisher & Paykel's Customer Care Centre to ensure this page correctly describes the model currently available. ? Fisher & Paykel Appliances Ltd 2020

Other product downloads available at fisherpaykel.com

- [↓](#) Quick Start Guide
- [↓](#) Service & Warranty
- [↓](#) User Guide DishDrawer™
- [↓](#) User Guide DishDrawer™
- [↓](#) Installation Guide Double DishDrawer™
- [↓](#) Data Sheet Double DishDrawer
- [↓](#) Specification Guide Double DishDrawer

**A PEACE OF MIND SALE****24 Hours 7 Days a Week Customer Support****T 0800 372 273 W**www.fisherpaykel.com