

# Integrated CoolDrawer™ Multi-temperature Drawer

Series 9 | Integrated

Panel Ready

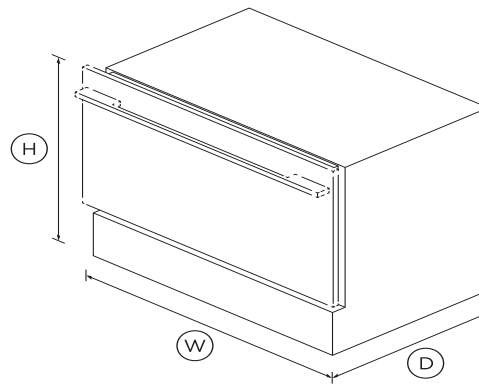


Use your CoolDrawer™ as a refrigerator, pantry or freezer with the push of a button. Customise with cabinetry or a stainless steel panel.\*

- Customise with your own kitchen cabinetry or purchase our stainless steel door panel accessory
- Variable Temperature Zone lets you change between five different food modes - fridge, freezer, pantry, chill and wine

## DIMENSIONS

<b>Height</b>	<b>640mm</b>
<b>Width</b>	<b>855mm</b>
<b>Depth</b>	<b>557mm</b>



## FEATURES & BENEFITS

### Fridge

The ideal storage for most foods such as fruit, vegetables, dairy products and drinks. The compact upper storage tray is a perfect place for sensitive foods while the tall bin is ideal for large bottles and containers.

### Pantry

Designed for foods that require a cool, dark place for storage, such as tropical fruits, tomatoes and cereals.

### Freezer

Ideal for general frozen food storage with the added flexibility of three freezer functions - bottle chill, fast freeze and deep freeze. Freezer mode is set at -18°C for longer-term storage of frozen items.

### Wine

Wine Mode is ideal for long-term storage of all wine at 12°C, or short-term storage at 7°C for white wine and 15°C for red wine.

### Chill

Chill Mode sets the compartment to a temperature ideal for highly perishable meats, poultry and seafood. Chill Mode sets the compartment at -0.5°C, just above the freezing temperature for meat.

## SPECIFICATIONS

### Accessories (sold separately)

Door panel stainless steel	<b>RD9064S</b>
Handle kit Classic	<b>AHCLR90S</b>
Handle kit Contemporary	<b>AHSRB90S</b>
Handle kit Contemporary	<b>AHD5RD90S</b>
Handle kit Contemporary	<b>AHD5RD90SB</b>
Handle kit Professional round	<b>AHP3RD90S</b>

### Capacity

Volume	<b>104L</b>
Volume variable temperature	<b>104L</b>

### Consumption

Energy rating	<b>4 star (Refrigerator), 2 star</b>
Energy usage	<b>163kWh/year (Refrigerator),</b>
In-use energy carbon	<b>22.1kgCO2e/year</b>

---

**Features**

- Customisable storage
- Keylock
- Touch control glass interface
- Variable temperature control

---

**Freezer Features**

- Drawer alarm

---

**Product dimensions**

Depth	<b>557mm</b>
Height	<b>640mm</b>
Width	<b>855mm</b>

---

**Warranty**

Parts and labour	<b>2 years</b>
Sealed system parts only	<b>5 years</b>

---

SKU	25282
-----	-------

---

---

**Other product downloads available at fisherpaykel.com**

- [↓](#) Service & Warranty
- [↓](#) User Guide CoolDrawer™ EN
- [↓](#) Energy Label
- [↓](#) Energy Label Integrated CoolDrawer™
- [↓](#) Installation Guide
- [↓](#) Installation Guide - Framed Cabinetry
- [↓](#) Installation Guide - Frameless Cabinetry
- [↓](#) Data Sheet Integrated Cool Drawer

**A PEACE OF MIND SALE****24 Hours 7 Days a Week Customer Support****T 0800 372 273 W**[www.fisherpaykel.com](http://www.fisherpaykel.com)

The product dimensions and specifications in this page apply to the specific product and model. Under our policy of continuous improvement, these dimensions and specifications may change at any time. You should therefore check with Fisher & Paykel's Customer Care Centre to ensure this page correctly describes the model currently available. ? Fisher & Paykel Appliances Ltd 2020