

INTEGRATED TALL DOUBLE DISHDRAWER™

PLANNING GUIDE

SERIES 9 | DD60DI9 | DD60DH19

INTRODUCTION

This comprehensive planning guide provides you with the framework and tools to achieve your desired design outcome with Fisher & Paykel appliances. In this guide, you will find a range of conceptual, detailed, and dimensional product information to bring your ideas to life and create spaces that truly reflect your vision.

SUPPORT

For additional design planning and installation support please contact the Fisher & Paykel design support team.
designsupport@fisherpaykel.com

NOTES

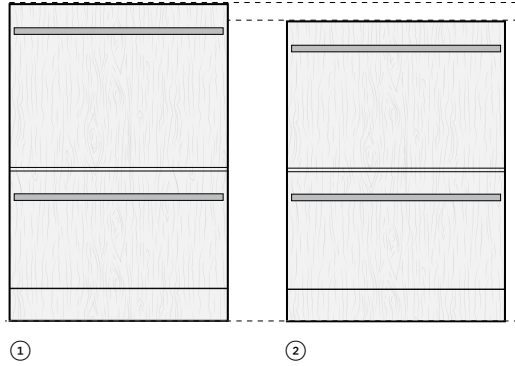
The models shown in this Planning Guide may not be available in all markets and are subject to change at any time. Refer to our website fisherpaykel.com for the latest document version. Product specifications may vary from those shown. This Planning Guide should not be used as installation guidance for any product. Specific installation guidance will be available with the product on delivery and on our website.

CONTENTS

CONCEPT DESIGN	PAGE	DEVELOPED AND DETAILED DESIGN	PAGE	DEVELOPED AND DETAILED DESIGN	PAGE
Design choices		Data sheets		Custom door panel preparation	
DishDrawer™ Dishwashers	4	Dishdrawer™ with custom panels	8	Custom panel preparation	21
		Dishdrawer™ with pre-finished panels	9		
Specification guide		Dishdrawer™ with recessed handle pre-finished panels	10	Services	
DD60DI9, DD60DHI9	6			Service placement options	23
		Accessories		Service specifications	24
		Handles	12	Electrical and plumbing specifications	25
		Panels	13		
		Planning considerations		Data sheets: Handles	
		Cavity specifications	15	Contemporary square fine handle	27
		Over width cavity specifications	16	Contemporary round handle	28
		Custom panel specifications	17	Classic round handle	29
		Pre-finished toe kick	18	Professional round flush handle	30
		Custom toe kick specifications	19		

DESIGN CHOICES

INTEGRATED DOUBLE DRAWER



PRE-FINISHED DOUBLE DRAWER



STYLE	MODELS	PANEL OPTIONS	HANDLE STYLE	HEIGHT	WIDTH	DEPTH
① Integrated Tall Double DishDrawer™	Series 11 DD60DTX6I1 DD60DTX6H11	Custom Panel Black Stainless Steel Brushed Stainless Steel	Contemporary, Professional and Classic	865-925mm	599mm	553mm
② Integrated Double DishDrawer™	Series 9 DD60DI9 DD60DH9	Custom Panel Black Stainless Steel Brushed Stainless Steel Recessed Handle Stainless Steel Recessed Handle Black Stainless Steel Recessed Handle Black Matte Glass	Contemporary, Professional and Classic	820-880mm	599mm	571mm
③ Contemporary Double DishDrawer™	Series 9 DD60D4NX9, DD60D4HNX9	Stainless Steel	Recessed Handle, internal control panel	820-880mm	599mm	573mm
④ Contemporary Double DishDrawer™	Series 9 DD60D4NB9, DD60D4HNB9	Black Stainless Steel	Recessed Handle, internal control panel	820-880mm	599mm	573mm
⑤ Contemporary Double DishDrawer™	Series 9 DD60D4ZB9, DD60D4HZB9	Black Glass	Recessed Handle, internal control panel	820-880mm	599mm	573mm
⑥ Contemporary Double DishDrawer™	Series 7 DD60D2NX9, DD60D2HNX9	Stainless Steel	Recessed Handle, external control panel	820-880mm	599mm	573mm
⑦ Contemporary Double DishDrawer™	Series 7 DD60D2NB9, DD60D2HNB9	Black Stainless Steel	Recessed Handle, external control panel	820-880mm	599mm	573mm

The models shown in this Planning Guide may not be available in all markets and are subject to change at any time. Product specifications may vary from those shown. This Planning Guide should not be used as installation guidance for any product. Further information is required to safely and correctly install the products featured here. Specific installation guidance will be available with the product on delivery and on our website fisherpaykel.com

SPECIFICATION GUIDE



DD60DI9, DD60DH19

OVERVIEW

Install your DishDrawer™ Dishwasher into an existing kitchen space or integrate into kitchen cabinetry. The touch-sensitive control panel is located inside this Integrated model, leaving an uninterrupted exterior that blends seamlessly with surrounding cabinetry.

PRODUCTS**DD60DI9**

Integrated Double Dishdrawer™, 60cm wide

DD60DH19

Integrated Double Dishdrawer™ with water softener, 60cm wide

ACCESSORIES**PRE-FINISHED PANEL ADDD60DPX**

Stainless steel pre-finished panels

PRE-FINISHED PANEL ADDD60DPB

Black stainless steel pre-finished panels

PRE-FINISHED PANEL WITH RECESSED HANDLES

ADDD60DNX Brushed stainless steel panels

ADDD60DNB Black stainless steel panels

ADDD60DZB Matte black glass panels

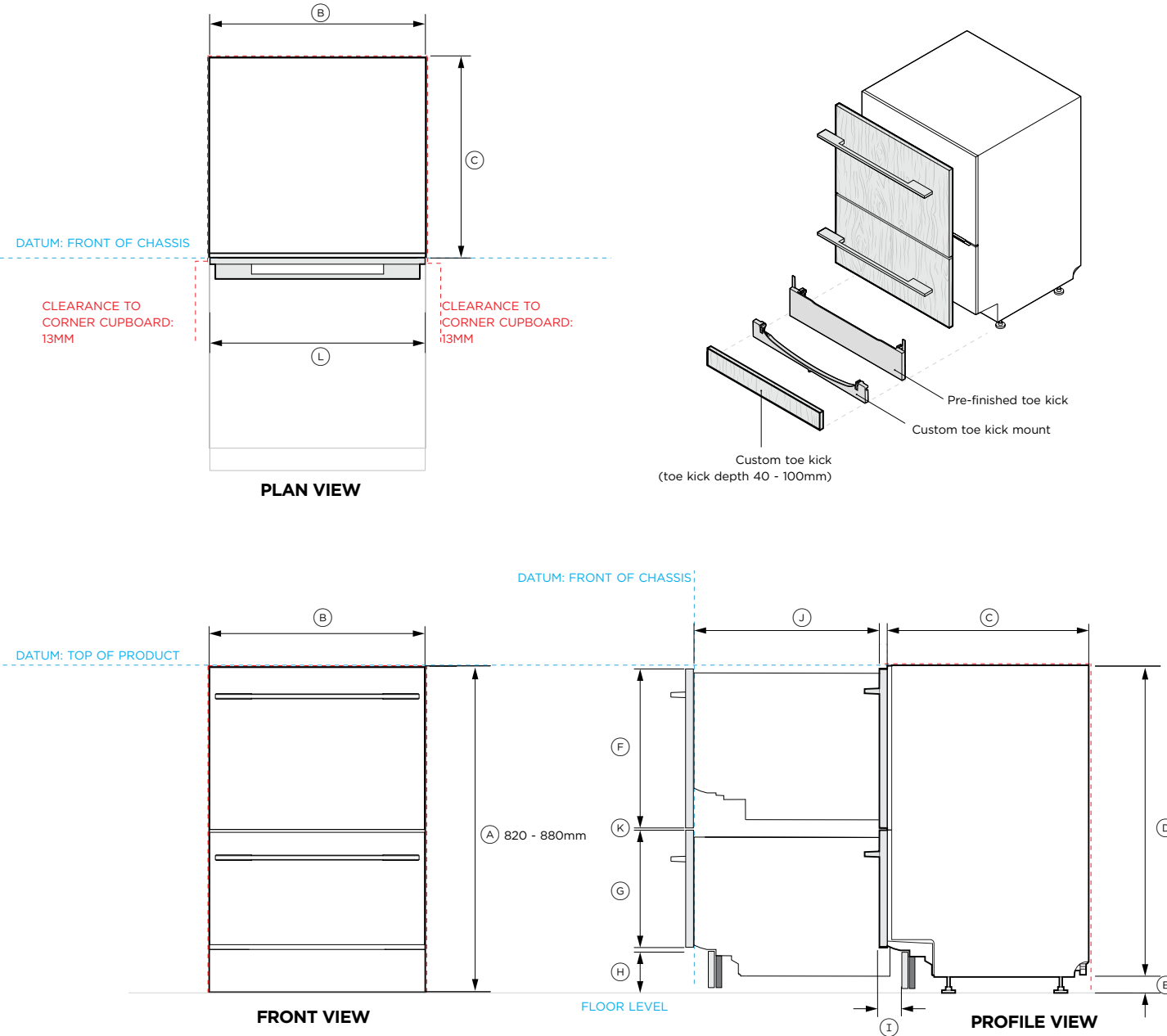
HANDLES

Handles are available for the DishDrawer™ Dishwasher in Contemporary, Classic and Professional style. Options include brushed aluminium, black, and stainless steel finishes. Two handle kits are required for double drawer models.

FEATURES

- ① Six wash programs, as well as additional Quick wash, Sanitise and Extra Dry options
- ② Tall top drawer fits full-size dinner plates up to 310mm, with flexible racking for large cookware.
- ③ Both drawers fit a true half load. Each drawer operates independently, so you can wash one load while stacking the other drawer, or wash simultaneously on separate cycles
- ④ For ease-of-use, these DishDrawer™ Dishwashers have a knock to pause function. A knock on the front panel will pause the dishwasher, which can be restarted by using the start button.

DATA SHEETS



Model nos:

DD60DI9 & DD60DH19

Shown with Custom Drawer Panels

Shown with Contemporary Square Fine Handle, AHD5-OBDD-60S

Product includes the following Toe Kick options:

Flush Pre-Finished Toe Kick

Recessed Pre-Finished Toe Kick (also used as a Custom toe kick bracket)

Product Dimensions	mm
(A) Overall height*	820 - 880
(B) Overall width of chassis	599
(C) Overall depth of chassis**	553
(D) Height of chassis	811
(E) Height of feet*	10 - 70
(F) Height of upper drawer panel - minimum	398
(G) Height of lower drawer panel - minimum	311
(H) Height of toe kick	58-118
(I) Toe kick depth	40-100
(J) Maximum extension of drawer	527
(K) Ventilation gap between drawers	8
(L) Drawer panel width (custom panels widths can vary to fit adjacent cabinet doors/drawers)	596

*Depending on adjustment of leveling feet **Excludes panels

Minimum Clearances	mm
Minimum inside height of cavity*	822
Minimum inside width of cavity	600
Minimum overall depth of cavity**	579
Minimum clearance to corner cupboard	13
Minimum clearance to adjacent cupboard door	2
Minimum clearance between drawer panels	8

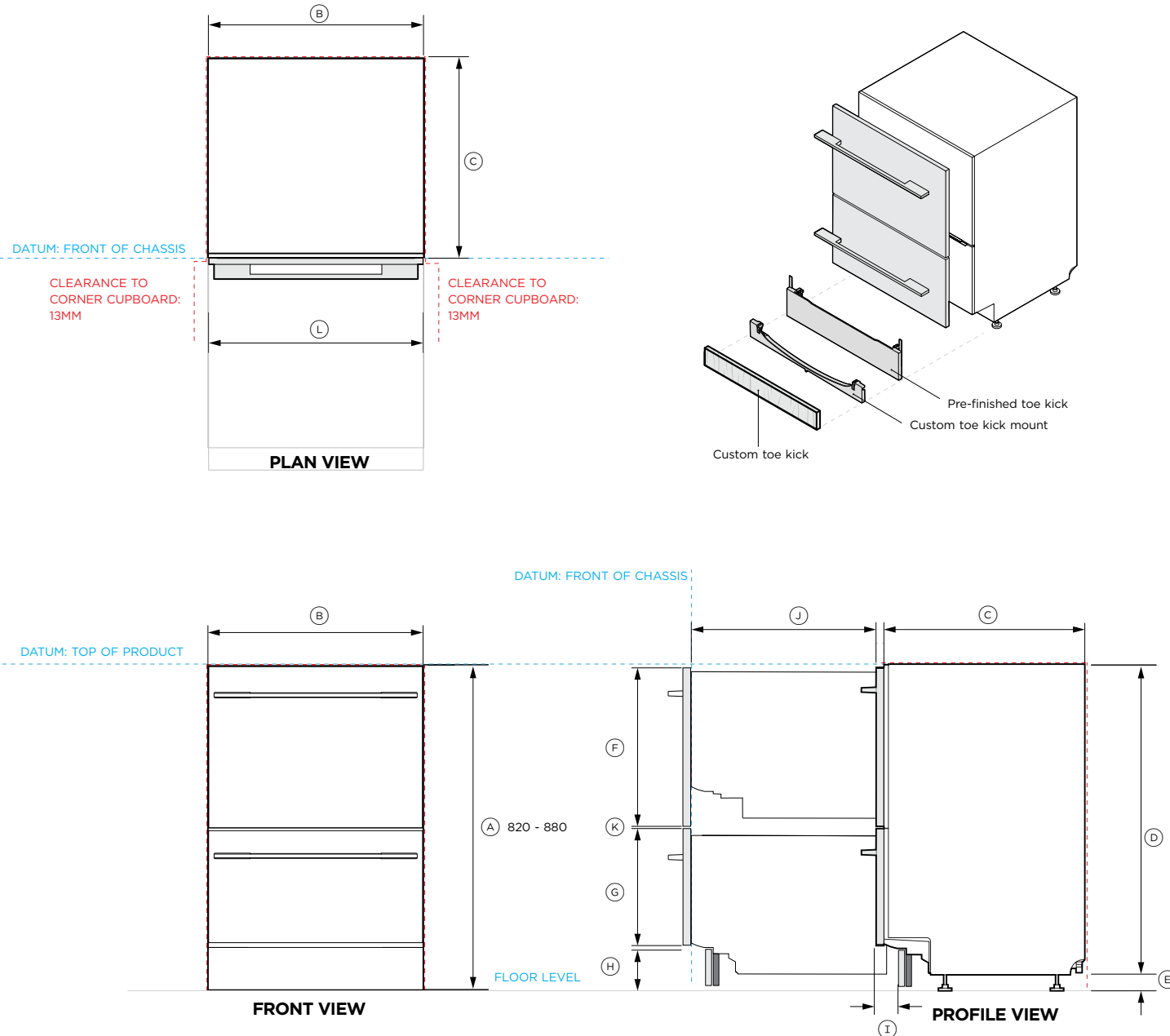
*Depending on adjustment of leveling feet

**Assumes 19mm drawer panels on adjacent cabinetry

NOTE: Custom drawer panel and toe kicks to be manufactured/fitted by cabinetmaker.

INDICATES PRODUCT DATUM -----
 INDICATES CABINETRY CLEARANCES - - - - -

IMPORTANT NOTE: Throughout this guide, dimensions may vary by ±2mm (1/16"). Please read the Installation Guide for detailed information on installing the product. For full installation instructions visit fisherpaykel.com



Model nos:
DD60DI9 & DD60DH19
 Shown with Stainless Steel Drawer Panels, ADDD60DPX
 Also available Black Stainless Steel Panels, ADDD60DPB
 Shown with Contemporary Square Fine Handle, AHD5-OBDD-60S

Product includes the following Toe Kick options:
 Flush Pre-Finished Toe Kick
 Recessed Pre-Finished Toe Kick (also used as a Custom toe kick bracket)

Product Dimensions	mm
Ⓐ Overall height*	820 - 880
Ⓑ Overall width of chassis	599
Ⓒ Overall depth of chassis**	553
Ⓓ Height of chassis	811
Ⓔ Height of feet*	10 - 70
Ⓕ Height of upper drawer panel	398
Ⓖ Height of lower drawer panel	311
Ⓜ Height of toe kick	58-118
Ⓣ Toe kick depth	40-100
Ⓝ Maximum extension of drawer	527
Ⓧ Ventilation gap between drawers	8
Ⓛ Drawer panel width	595

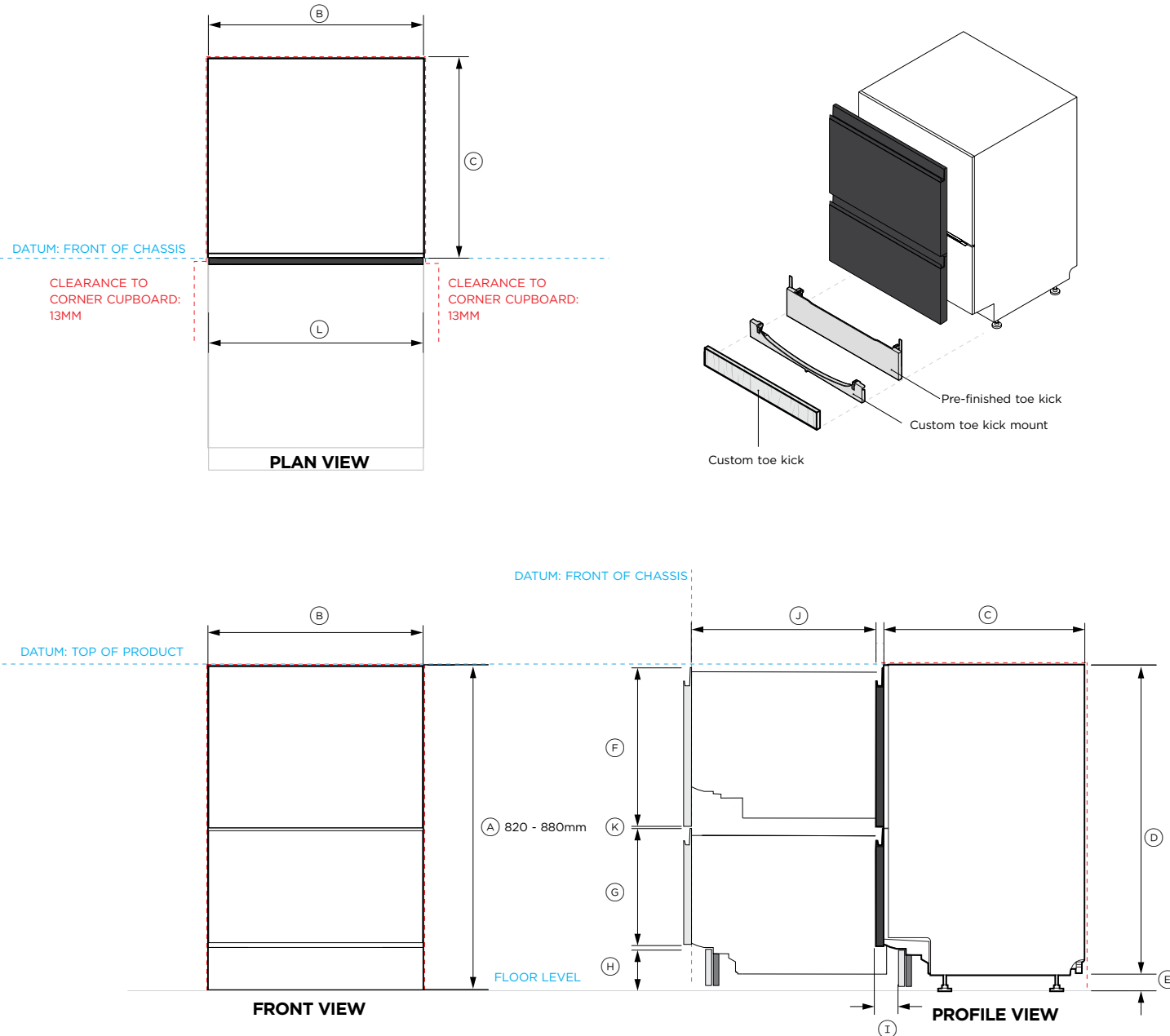
*Depending on adjustment of leveling feet. **Excludes panels

Minimum Clearances	mm
Minimum inside height of cavity*	822
Minimum inside width of cavity	600
Minimum overall depth of cavity (includes panels)	579
Minimum clearance to corner cupboard	13
Minimum clearance to adjacent cupboard door	2
Minimum clearance between drawer panels	8

*Depending on adjustment of leveling feet

INDICATES PRODUCT DATUM -----
 INDICATES CABINETRY CLEARANCES - - - - -

IMPORTANT NOTE: Throughout this guide, dimensions may vary by ±2mm (1/16"). Please read the Installation Guide for detailed information on installing the product. For full installation instructions visit fisherpaykel.com



Model nos:
DD60DI9 & DD60DH19
 Shown with Matte Glass Recessed Handle Drawer Panels, ADDD60DZB
 Also available in
 Stainless Steel ADDD60DNX
 Black Stainless Steel ADDD60DNB

Product includes the following Toe Kick options:
 Pre-Finished Toe Kick
 Custom toe kick bracket

Product Dimensions	mm
Ⓐ Overall height*	820 - 880
Ⓑ Overall width of chassis	599
Ⓒ Overall depth of chassis**	553
Ⓓ Height of chassis	811
Ⓔ Height of feet*	10 - 70
Ⓕ Height of upper drawer panel	398
Ⓖ Height of lower drawer panel	309
Ⓗ Height of toe kick	58-118
Ⓘ Toe kick depth	40 - 100
Ⓝ Maximum extension of drawer	527
Ⓧ Ventilation gap between drawers	8
Ⓛ Drawer panel width	595

*Depending on adjustment of leveling feet **Excludes panels

Minimum Clearances	mm
Minimum inside height of cavity*	822
Minimum inside width of cavity	600
Minimum overall depth of cavity (includes panels)	579
Minimum clearance to corner cupboard	13
Minimum clearance to adjacent cupboard door	2
Minimum clearance between drawer panels	8

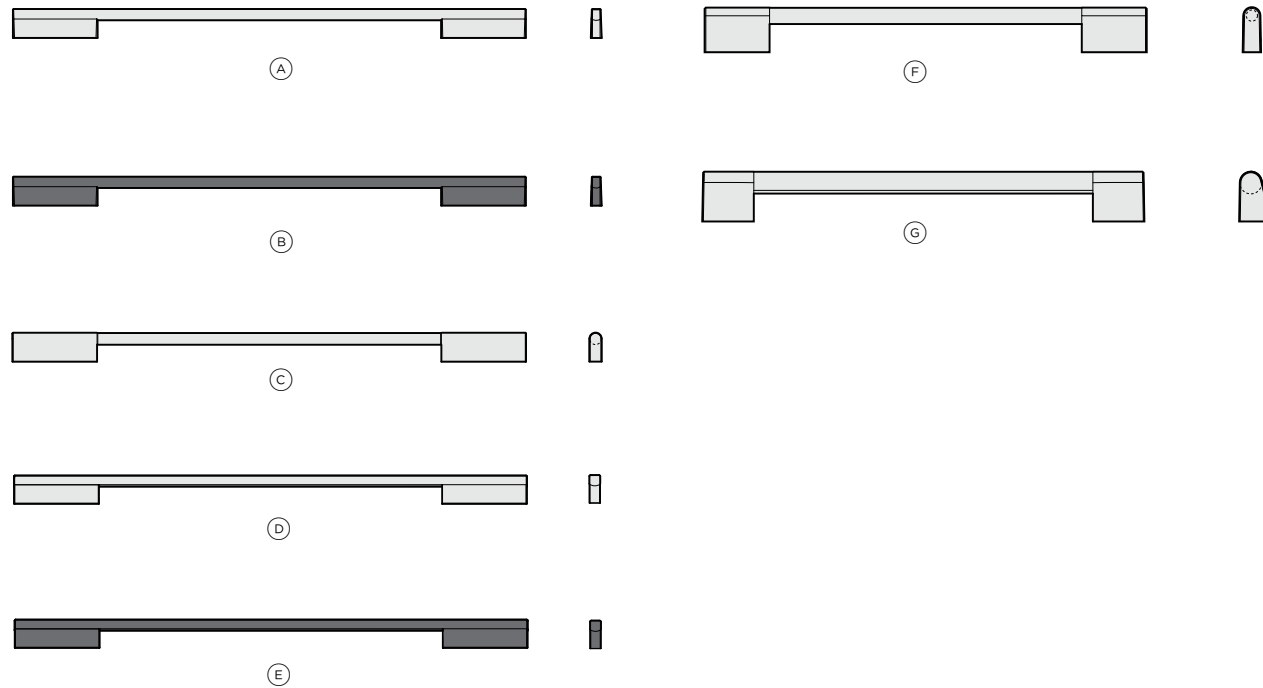
*Depending on adjustment of leveling feet

INDICATES PRODUCT DATUM -----
 INDICATES CABINETRY CLEARANCES - - - - -

IMPORTANT NOTE: Throughout this guide, dimensions may vary by ±2mm (1/16"). Please read the Installation Guide for detailed information on installing the product. For full installation instructions visit fisherpaykel.com



ACCESSORIES



Handle kits		
Style	Model	Finish
Ⓐ Contemporary square fine aluminium	AHD5-OBDD-60SX	Brushed Aluminium
Ⓑ Contemporary square fine black	AHD5-OBDD-60SB	Brushed Black Aluminium
Ⓒ Contemporary round	AHS-OBDD-60S	Stainless Steel
Ⓓ Contemporary square aluminium	AHD3-OBDD-60S	Brushed Aluminium
Ⓔ Contemporary square black	AHD3-OBDD-60B	Brushed Black Aluminium
Ⓕ Classic round	AHCL-DDDW-60X	Stainless Steel
Ⓖ Professional round flush	AHP3-DWDD-60S	Stainless Steel

Note: Double Dishwasher requires two handle kits.

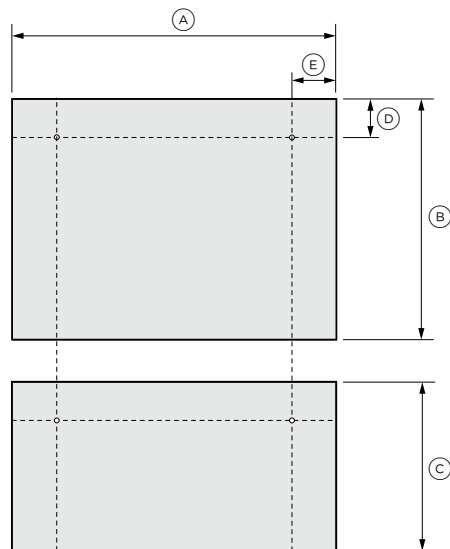
The models shown in this Planning Guide may not be available in all markets and are subject to change at any time. Product specifications may vary from those shown. This Planning Guide should not be used as installation guidance for any product. Further information is required to safely and correctly install the products featured here. Specific installation guidance will be available on our website fisherpaykel.com

PRE-FINISHED PANELS

- Brushed Stainless Steel - ADDD60DPX
- Black Stainless Steel - ADDD60DPB
- Recessed handle Stainless Steel - ADDD60DNX
- Recessed handle Black Stainless Steel - ADDD60DNB
- Recessed handle Matte Black Glass - ADDD60DZB

Panel Dimensions	mm
Ⓐ Width of panels	596
Ⓑ Height of top drawer panel	398
Ⓒ Height of bottom drawer panel	311
Ⓓ Handle fixing point from top of panel	72
Ⓔ Handle fixing point from side of panel	81.5
Ⓕ Recessed handle height	33
Panel depth	18

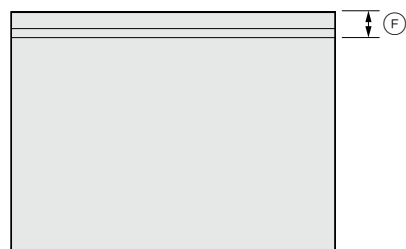
Note: Custom toe kick panels can be installed alongside pre-finished panels using the recessed pre-finished toe kick as a mounting jig.



PRE-FINISHED PANEL ADDD60DPX
BRUSHED STAINLESS STEEL



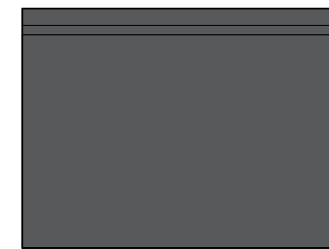
PRE-FINISHED PANEL ADDD60DPB
BLACK STAINLESS STEEL



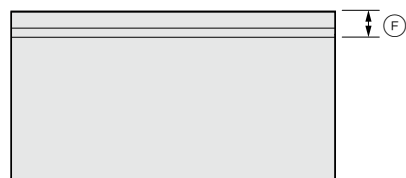
PRE-FINISHED PANEL ADDD60DNX
BRUSHED STAINLESS STEEL



PRE-FINISHED PANEL ADDD60DNB
BLACK STAINLESS STEEL



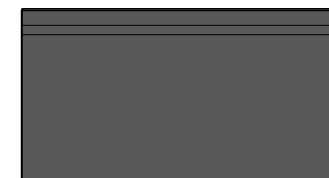
PRE-FINISHED PANEL ADDD60DZB
BLACK MATTE GLASS



PRE-FINISHED PANEL ADDD60DNX
BRUSHED STAINLESS STEEL



PRE-FINISHED PANEL ADDD60DNB
BLACK STAINLESS STEEL



PRE-FINISHED PANEL ADDD60DZB
BLACK MATTE GLASS

The models shown in this Planning Guide may not be available in all markets and are subject to change at any time. Product specifications may vary from those shown. This Planning Guide should not be used as installation guidance for any product. Further information is required to safely and correctly install the products featured here. Specific installation guidance will be available on our website fisherpaykel.com

PLANNING CONSIDERATIONS

PLANNING CONSIDERATIONS | CAVITY SPECIFICATIONS

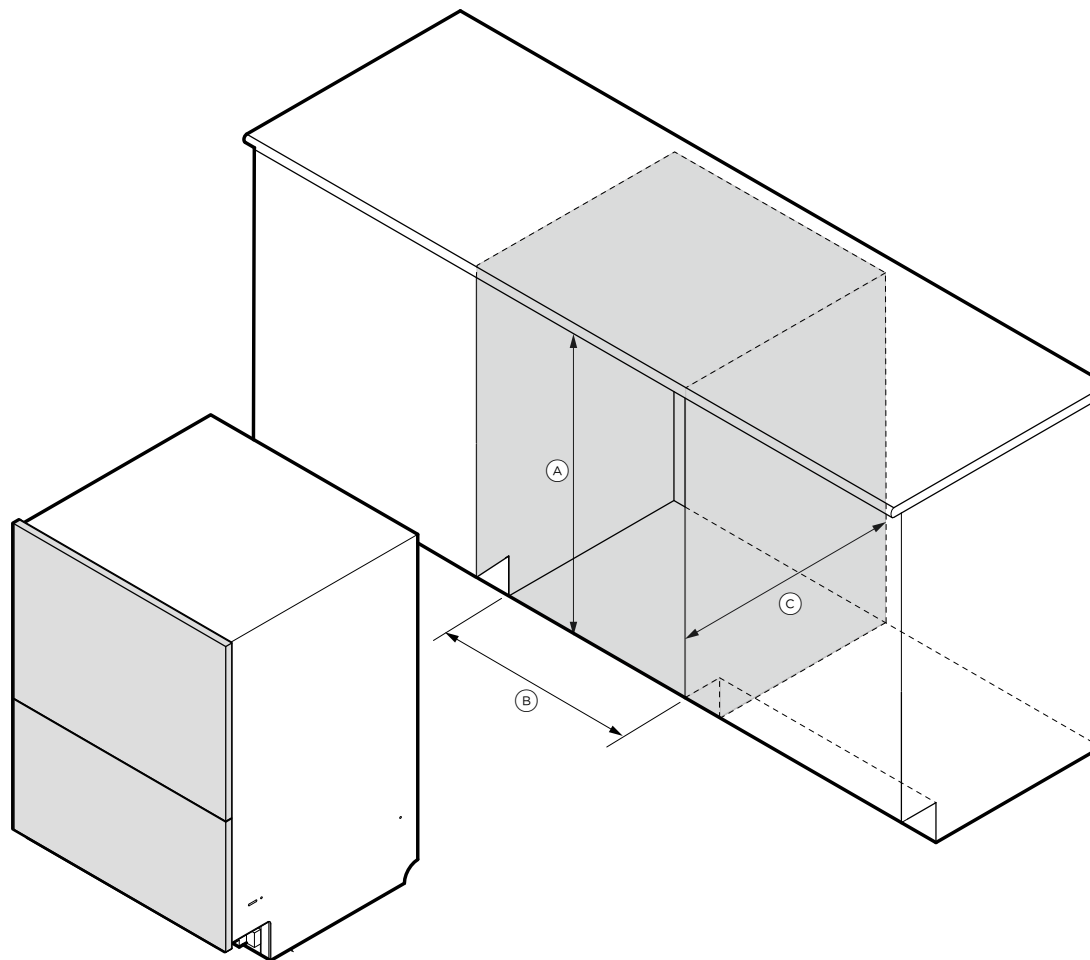
CAVITY SPECIFICATIONS

The cavity height will vary according to your cabinetry design and counter top height.

Cavity Dimensions	mm
Ⓐ Cavity height*	822-882
Ⓑ Minimum cavity width	600
Ⓒ Minimum cavity depth**	579

*Cavity height depends on adjustment of levelling feet.

**Ensure there are no obstructions in the cavity if minimum cavity depth, width or height are specified.



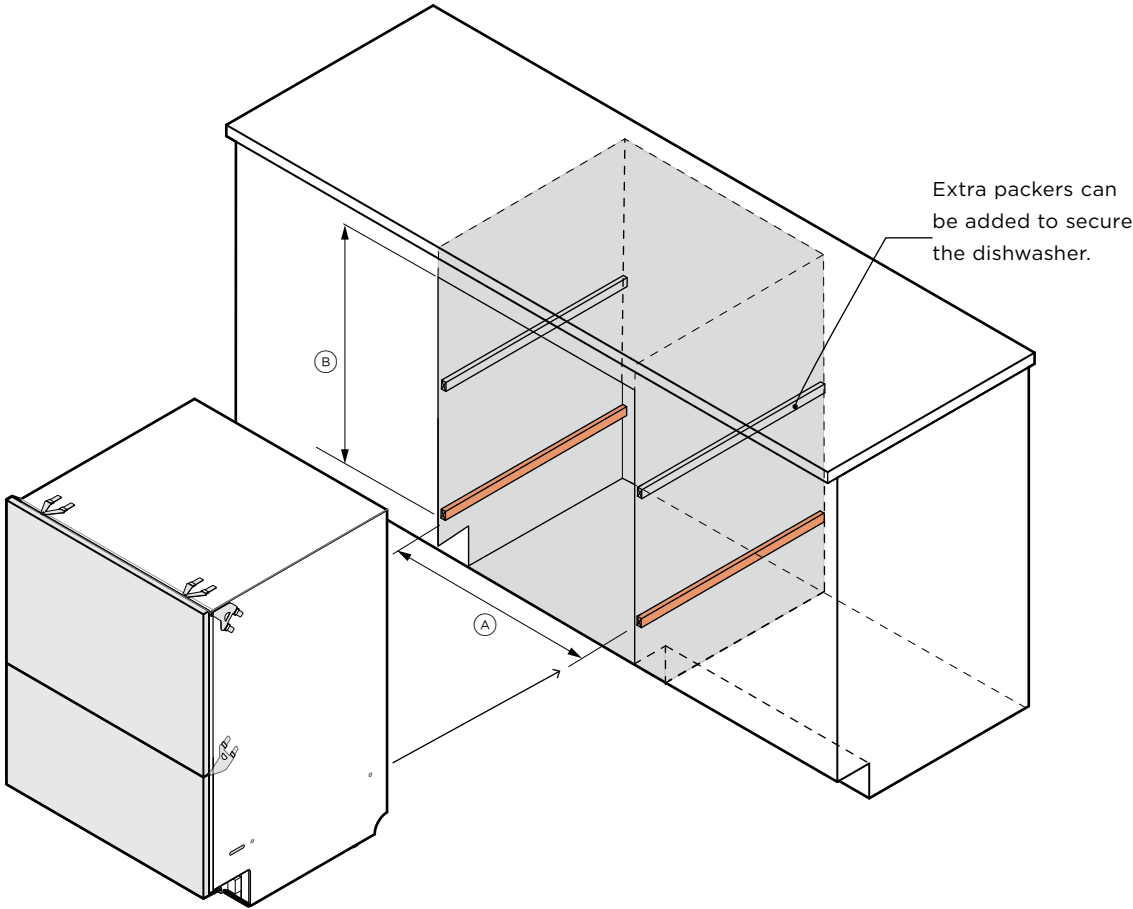
The models shown in this Planning Guide may not be available in all markets and are subject to change at any time. Product specifications may vary from those shown. This Planning Guide should not be used as installation guidance for any product. Further information is required to safely and correctly install the products featured here. Specific installation guidance will be available with the product on delivery and on our website fisherpaykel.com

CAVITY PACKING PLACEMENT

The dishwasher must be secured through chassis and into the cabinet sides. If the cavity is over width, packers must be installed to avoid bowing the chassis.

Side and top brackets may be installed and fixed to the edge of the cabinet.

Dimensions	mm
Ⓐ Width between packers	600
Ⓑ Center of fixing points from top of chassis	640



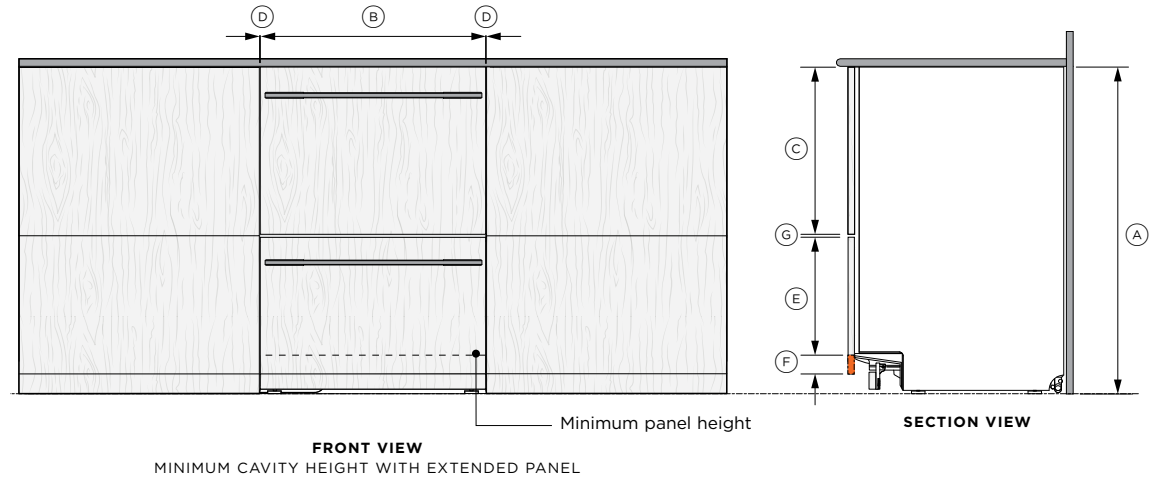
The models shown in this Planning Guide may not be available in all markets and are subject to change at any time. Product specifications may vary from those shown. This Planning Guide should not be used as installation guidance for any product. Further information is required to safely and correctly install the products featured here. Specific installation guidance will be available with the product on delivery and on our website fisherpaykel.com

PLANNING CONSIDERATIONS | CUSTOM PANEL SPECIFICATIONS

CUSTOM PANEL SPECIFICATIONS

Ensure that there are no obstructions under the counter top if the dishwasher is installed directly below.

Dimensions	mm
(A) Height of cavity	822 - 882
(B) Minimum panel width	596
(C) Minimum top panel height	398
(D) Minimum clearance gap to adjacent cabinetry	2
(E) Minimum bottom panel height	311
(F) Maximum bottom panel extension	50
(G) Minimum ventilation gap	8



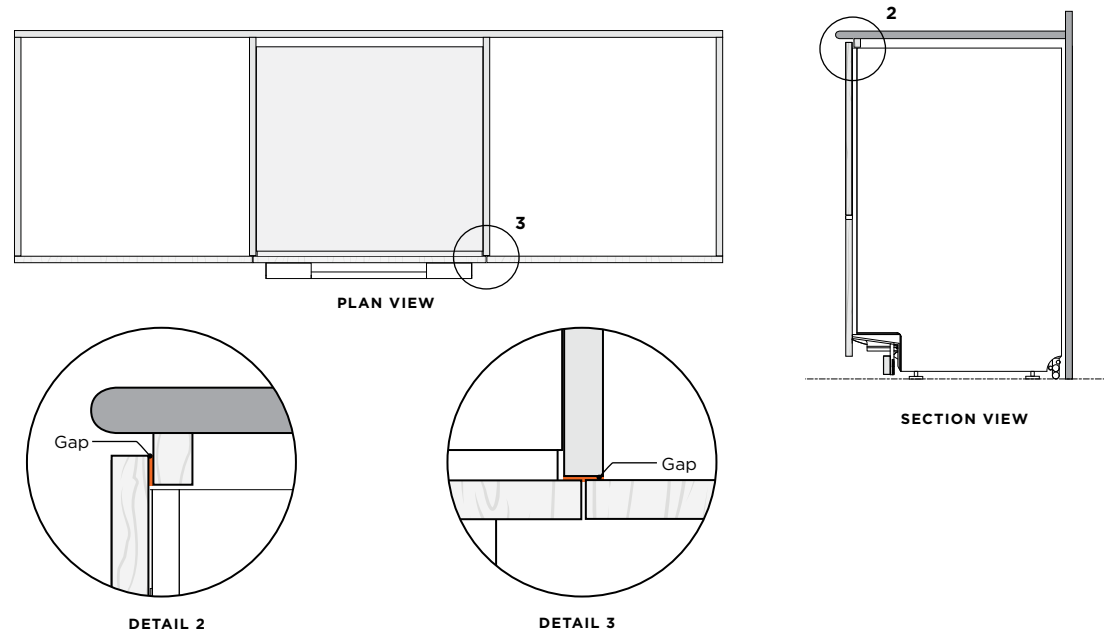
EXTENDING CUSTOM PANELS

Custom panels may need to extend to cover cabinet side walls or frames, or to create recessed handles.

Make sure the dishwasher drawer can always close securely against the seals on the chassis.

The dishwasher drawers must seal properly when closed to prevent humidity escape and condensation, which can damage the custom panel.

If the custom drawer panel contacts any cabinetry, the seal may be compromised, allowing humidity to escape and damage the drawer panels or cabinetry.



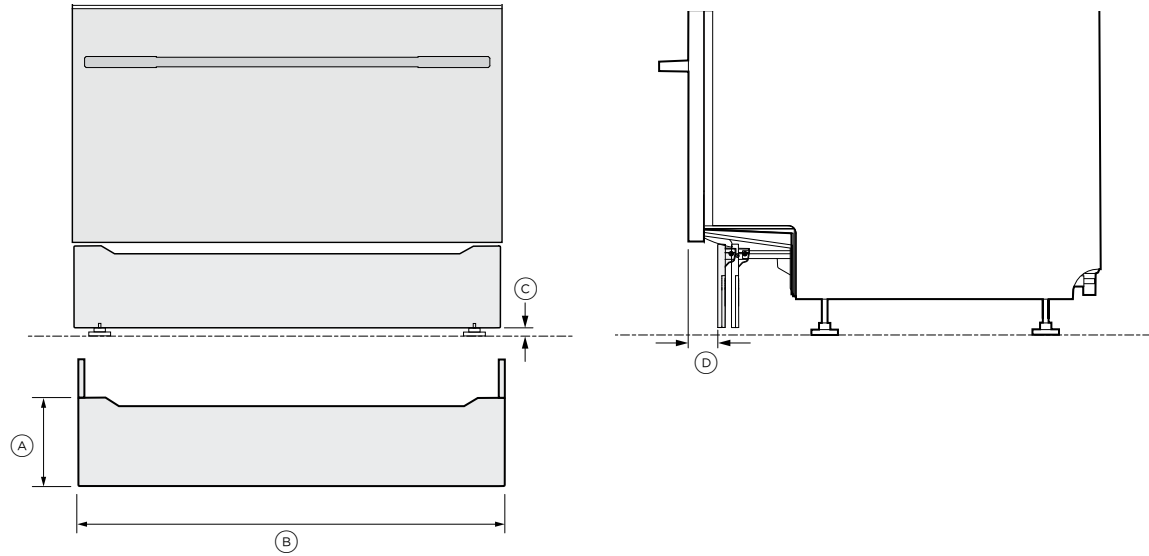
The models shown in this Planning Guide may not be available in all markets and are subject to change at any time. Product specifications may vary from those shown. This Planning Guide should not be used as installation guidance for any product. Further information is required to safely and correctly install the products featured here. Specific installation guidance will be available on our website fisherpaykel.com

PRE-FINISHED TOE KICK

Suitable for a toe kick depth of **40 to 56mm**. The pre-finished toe kick height can be cut to fit as needed.

Dimensions	mm
Ⓐ Toe kick maximum height	118
Ⓑ Toe kick width	595
Ⓒ Minimum clearance between toe kick panel and floor	12
Ⓓ Depth of toe kick recess*	40 - 56

*Front of drawer to front of toe kick, assumes 18mm panel thickness



FLUSH PRE-FINISHED TOE KICK

The models shown in this Planning Guide may not be available in all markets and are subject to change at any time. Product specifications may vary from those shown. This Planning Guide should not be used as installation guidance for any product. Further information is required to safely and correctly install the products featured here. Specific installation guidance will be available on our website fisherpaykel.com

PLANNING CONSIDERATIONS | CUSTOM TOE KICK SPECIFICATIONS

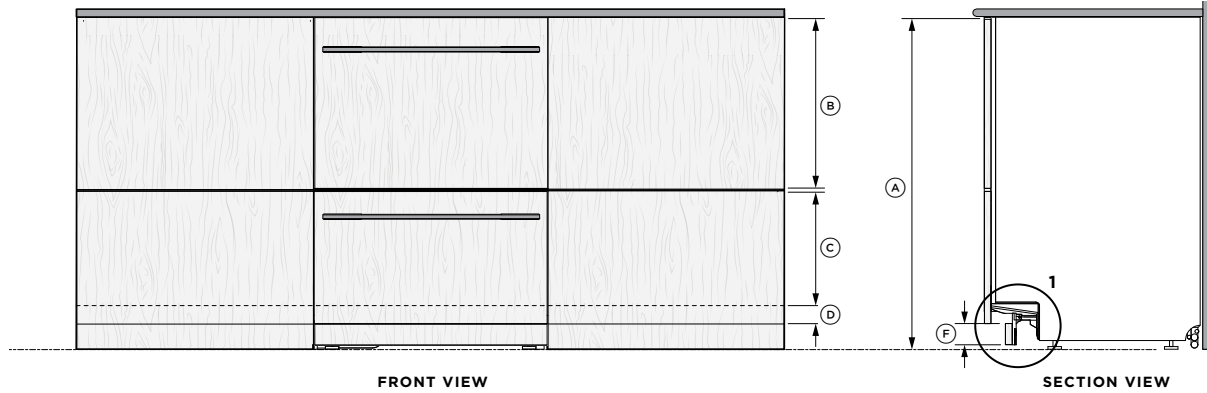
CUSTOM TOE KICK SPECIFICATIONS

The custom panel is fixed to a mounting panel.
The finished toe kick height will vary according to the toe kick depth and the adjusted height of the dishwasher.

The bottom drawer panel can be extended over the toe kick up to a maximum of 50mm.

Toe kick Dimensions	mm
(A) Product height	820 - 880
(B) Top panel height minimum	398
(C) Bottom panel height minimum	311
(D) Bottom panel maximum extension	50
(E) Minimum toe kick clearance to floor	12
(F) Toe kick panel height*	58 - 118
(G) Toe kick depth	40 - 88
(H) Toe kick depth	88 - 100

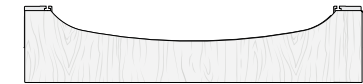
*For overall cabinet toe kick height include the 12mm clearance gap from the bottom of the toe kick to the floor.
Custom drawer panel and toe kicks should be manufactured and fitted by a cabinetmaker.



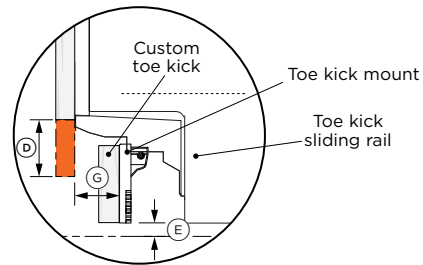
CUSTOM TOE KICK PANEL FOR MAXIMUM 40MM DEPTH



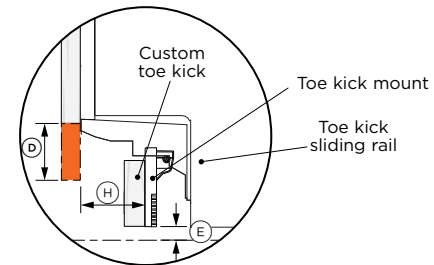
CUSTOM TOE KICK PANEL FOR 40MM TO 88MM DEPTH



CUSTOM TOE KICK PANEL FOR 88MM TO 100MM DEPTH



SECTION DETAIL VIEW 1
TOE KICK DEPTHS 40 - 88MM



SECTION DETAIL VIEW 1
TOE KICK DEPTHS 88 - 100MM

The models shown in this Planning Guide may not be available in all markets and are subject to change at any time. Product specifications may vary from those shown. This Planning Guide should not be used as installation guidance for any product. Further information is required to safely and correctly install the products featured here. Specific installation guidance will be available with the product on delivery and on our website fisherpaykel.com

CUSTOM DRAWER PANEL PREPARATION

PLANNING CONSIDERATIONS | CUSTOM PANEL DETAILS

CUSTOM PANEL SPECIFICATIONS

Panel width and height will vary according to your cabinet specifications.

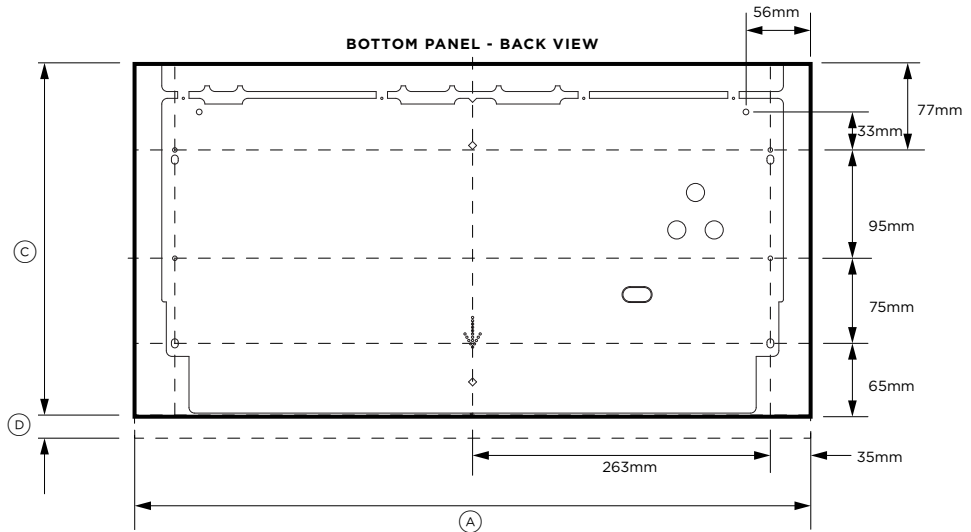
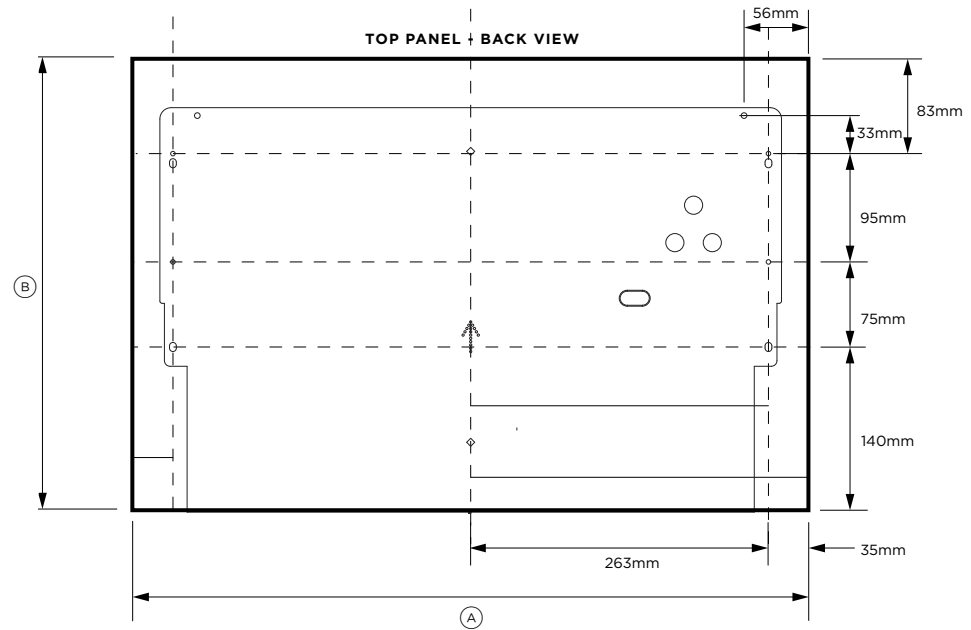
Custom drawer panel and toe kicks should be manufactured and fitted by a cabinetmaker.

Panel Dimensions	mm
Ⓐ Minimum panel width	596
Ⓑ Top drawer panel minimum height	398
Ⓒ Bottom drawer panel minimum height	311
Ⓓ Maximum bottom drawer panel extension	50
Maximum panel weight per drawer panel including handle	9kg

TOP PANEL EXTENSION

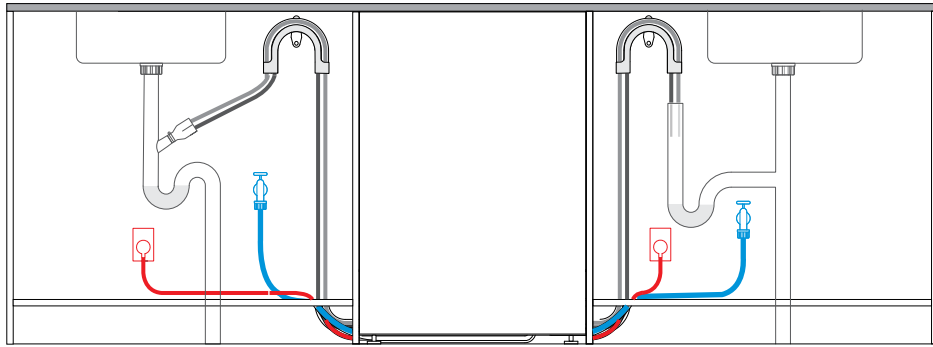
The top panel can be extended upwards. This can affect the ease of using the internal control panel.

For additional support please contact the Fisher & Paykel design support team at designsupport@fisherpaykel.com



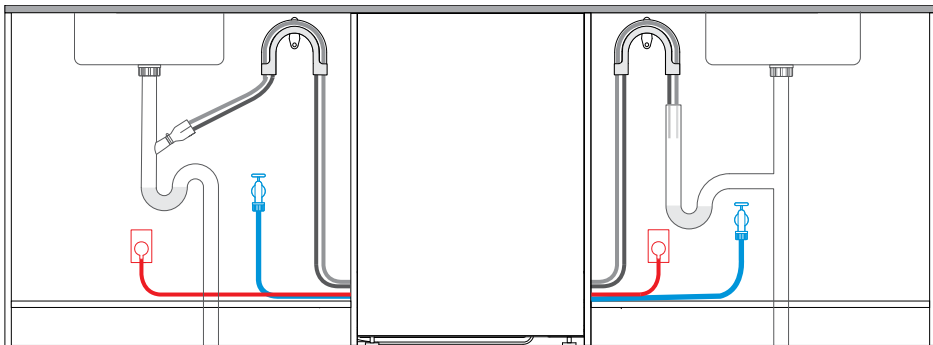
The models shown in this Planning Guide may not be available in all markets and are subject to change at any time. Product specifications may vary from those shown. This Planning Guide should not be used as installation guidance for any product. Further information is required to safely and correctly install the products featured here. Specific installation guidance will be available with the product on delivery and on our website fisherpaykel.com

SERVICES



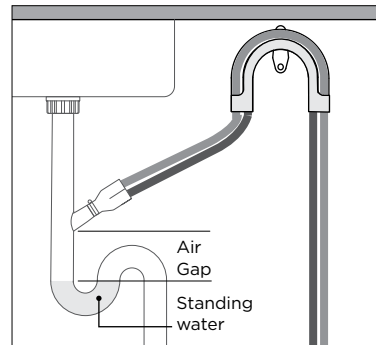
FRONT SECTION VIEW - SERVICES THROUGH TOE KICK

Services can be routed left or right through the toe kick and into the adjacent cabinet. Drainage can be routed to a spigot or stand pipe.



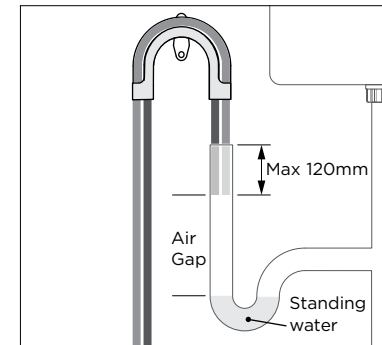
FRONT SECTION VIEW - SERVICES THROUGH CABINET SIDE

If routing directly through the cabinet side is necessary, ensure that the service hole is raised. There must be space behind the dishwasher for feeding hoses and cords.



DETAIL VIEW - SPIGOT INSTALL

The spigot must be installed above the standing water with an air gap in between.



DETAIL VIEW - STAND PIPE INSTALL

The dishwasher drain must be installed no more than 120mm into the stand pipe. An air gap between drain ends and standing water is required.

SERVICE REQUIREMENTS

The drain hose support should be placed as close to the underside of the counter top as possible.

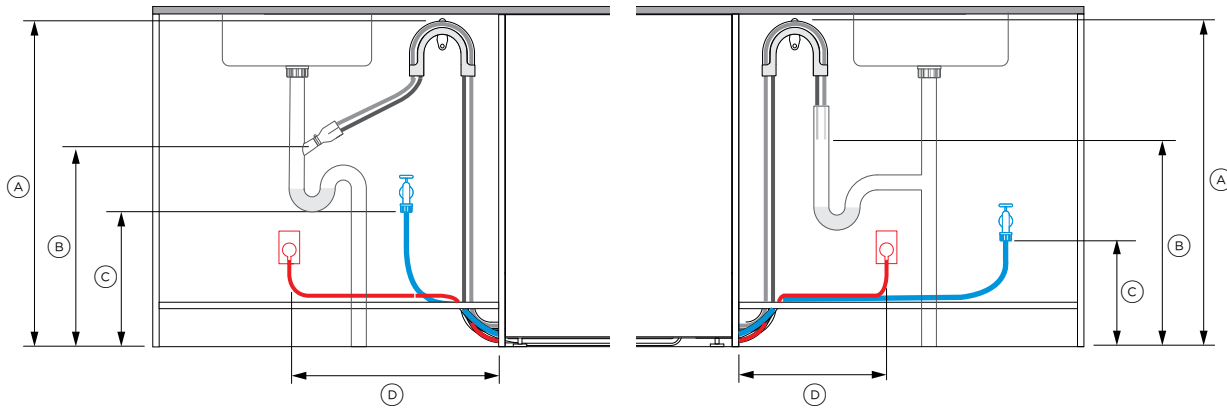
Drain hoses must be installed higher than standing water with an air gap between to avoid drainage issues.

Hoses can be shortened to achieve the air gap.

Hoses must not extend into a standpipe more than 120mm.

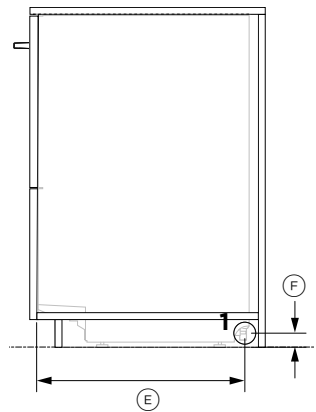
If the drain hoses supplied are not long enough to reach your services, a Fisher & Paykel drain hose extension kit is available which will extend the drain hoses by 3.6m (part number 525798).

SERVICES | SERVICE SPECIFICATIONS

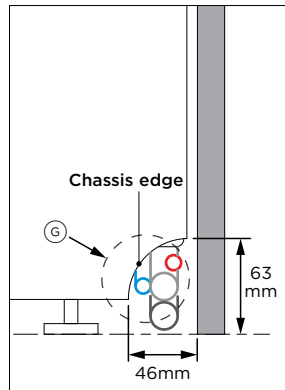


FRONT SECTION VIEW - SPIGOT INSTALL

FRONT SECTION VIEW - STAND PIPE INSTALL



SIDE SECTION VIEW - SERVICE HOLE

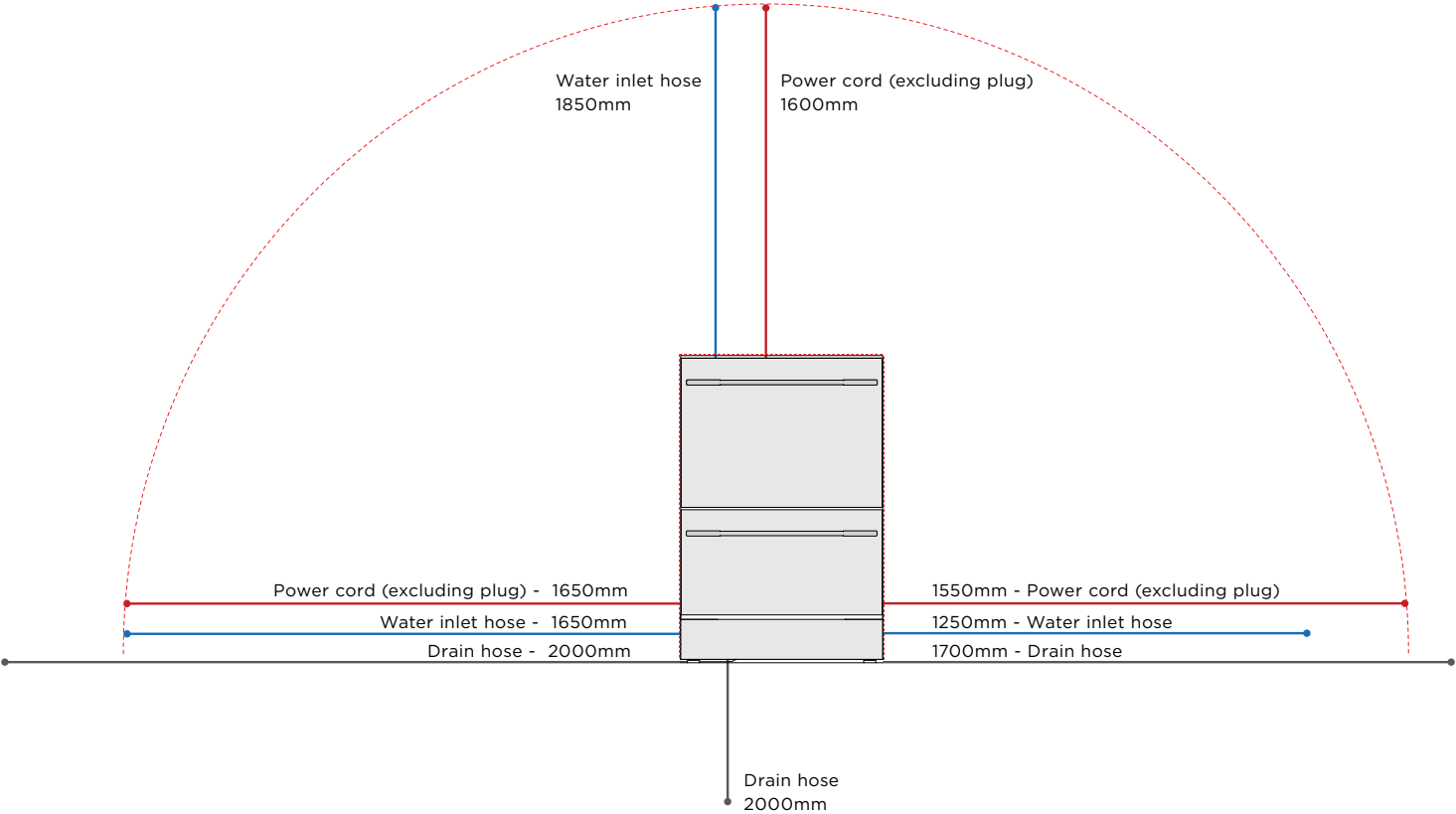


DETAIL 1 - SERVICE HOLE

Service dimensions	mm
Ⓐ Minimum distance from floor to top of hose support	750
Ⓑ Minimum distance from floor to end of drain hoses*	500
Ⓒ Minimum distance from floor to inlet hose connection	200
Ⓓ Maximum distance from cabinetry to the centre of electrical outlet	450
*Distances are the same for standpipe and waste tee installation.	
Minimum service hole dimensions	mm
Ⓔ Minimum distance between front of product* and center of service hole	538
Ⓕ Maximum distance between floor and center of service hole	38
Ⓖ Minimum diameter of all service holes	57

*Not including dishwasher panels

The models shown in this Planning Guide may not be available in all markets and are subject to change at any time. Product specifications may vary from those shown. This Planning Guide should not be used as installation guidance for any product. Further information is required to safely and correctly install the products featured here. Specific installation guidance will be available on our website fisherpaykel.com



Electrical and plumbing specifications

DD60DH19

Electrical

Supply	220-240V
Supply - Taiwan and Hongkong only	110-120V
Service	Min 8.5A

Plumbing

Supply	3/4" BSP (GB20) to suit flat washer
Pressure	
Non-water softener models	Min. 0.03 MPa (4.3 psi) Max. 1 MPa (145 psi)
Water softener models	Min. 0.1 MPa (14.5 psi) Max. 1 MPa (145 psi)
Recommended temperature	Cold (max 60°C)

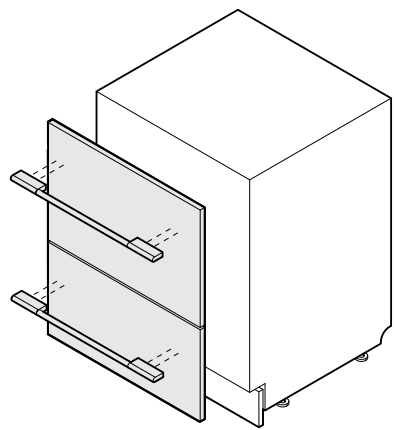
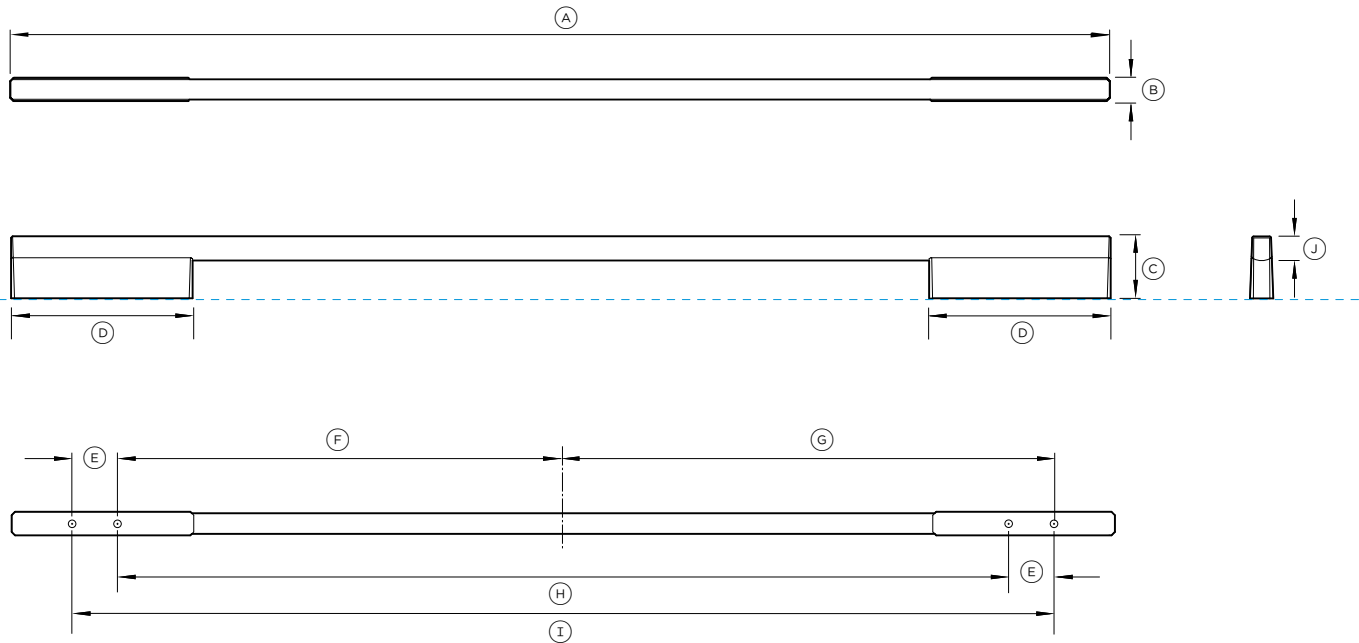
Hose and cord lengths

	mm
Drain hoses*	2000
Water inlet	1850
Power	1600

*The Fisher & Paykel 3.6m drain hose extension kit (part number 525798) is available for purchase from fisherpaykel.com

IMPORTANT NOTE: Throughout this guide, dimensions may vary by ±2mm (1/16"). Please read the Installation Guide for detailed information on installing the product. For full installation instructions visit fisherpaykel.com

DATA SHEETS: HANDLES



*M6 X 25mm Pan Head Socket Screw (2 per handle)

Model no:
 Square Fine Handle AHD5-OBDD-60SX
 Black Square Fine Handle AHD5-OBDD-60SB

For Models:
 DD60DI9, DD60DH19, DD60DI9, DD60DH19

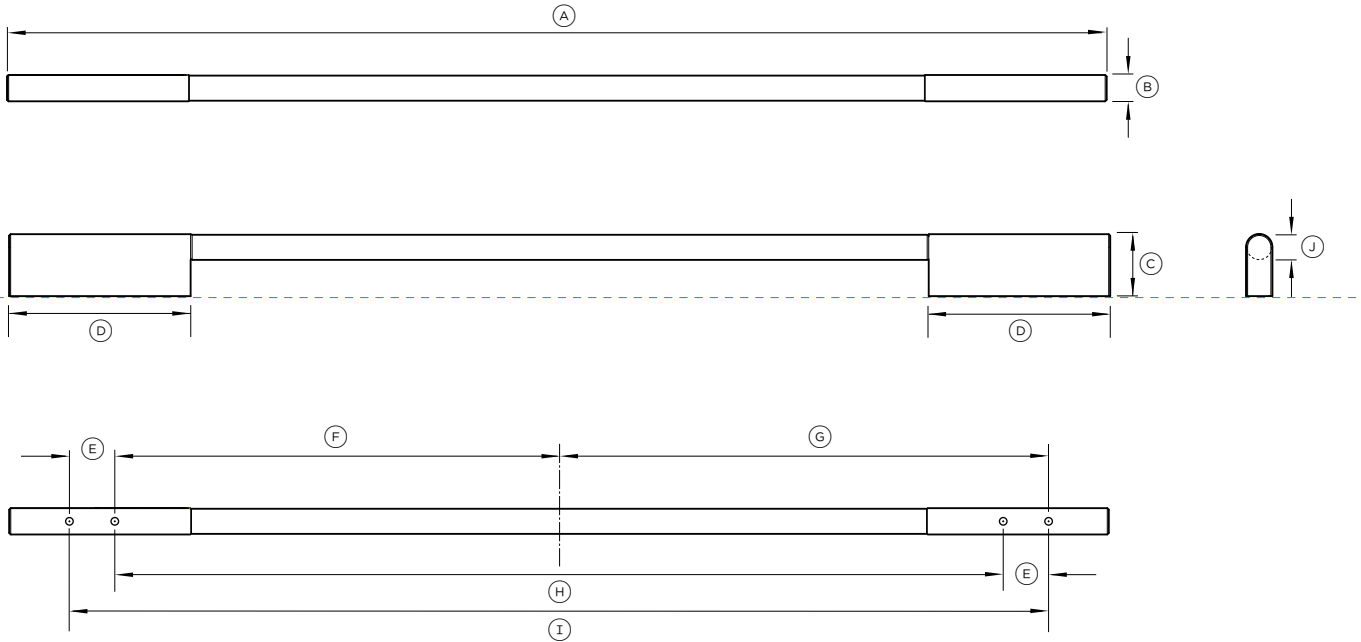
Compatible with drawer panel kits:
 Square Fine Handle for drawer Panel Kits ADDD60DPX, ADDD60DTPX
 Black Square Fine Handle for drawer Panel Kits ADDD60DPB, ADDD60DTPB
 Custom drawer panels

Handle Dimensions	mm
A Overall length of handle	565
B Overall depth of handle	15
C Overall height of handle	41
D Length of off-stand	100
E Distance between attachment holes	32
F Distance from centreline to inner attachment holes	216
G Distance from centreline to outer attachment holes	248.5
H Distance between inner attachment holes	432
I Distance between outer attachment holes	497
J Thickness of handle rail	16

*Suits standard 19mm drawer panel. Thicker drawer panels may require counter boring or longer screws.

Note: Single Dishwasher requires one handle kit. Double Dishwasher requires two handle kits.

IMPORTANT NOTE: Throughout this guide, dimensions may vary by ±2mm (1/16"). Please read the Installation Guide for detailed information on installing the product. For full installation instructions visit fisherpaykel.com



Model no:
Round Handle AHS-OBDD-60S

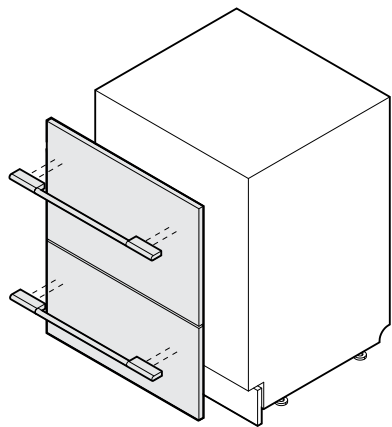
For Models:
DD60DTX6I1, DD60DTX6H11, DD60DI9, DD60DH19

Compatible with drawer panel kits:
Round Handle for Drawer Panel Kits ADDD60SPX, ADDD60STPX

Handle Dimensions	mm
A Overall length of handle	565
B Overall depth of handle	17
C Overall height of handle	41
D Length of off-stand	100
E Distance between attachment holes	32
F Distance from centreline to inner attachment holes	216
G Distance from centreline to outer attachment holes	248.5
H Distance between inner attachment holes	432
I Distance between outer attachment holes	497
J Thickness of handle rail	16

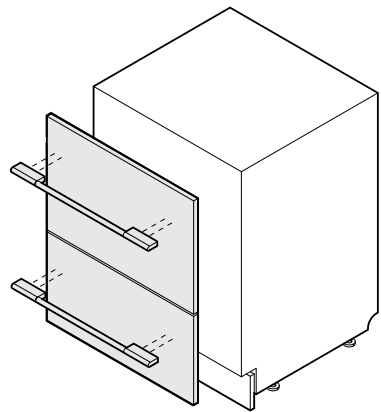
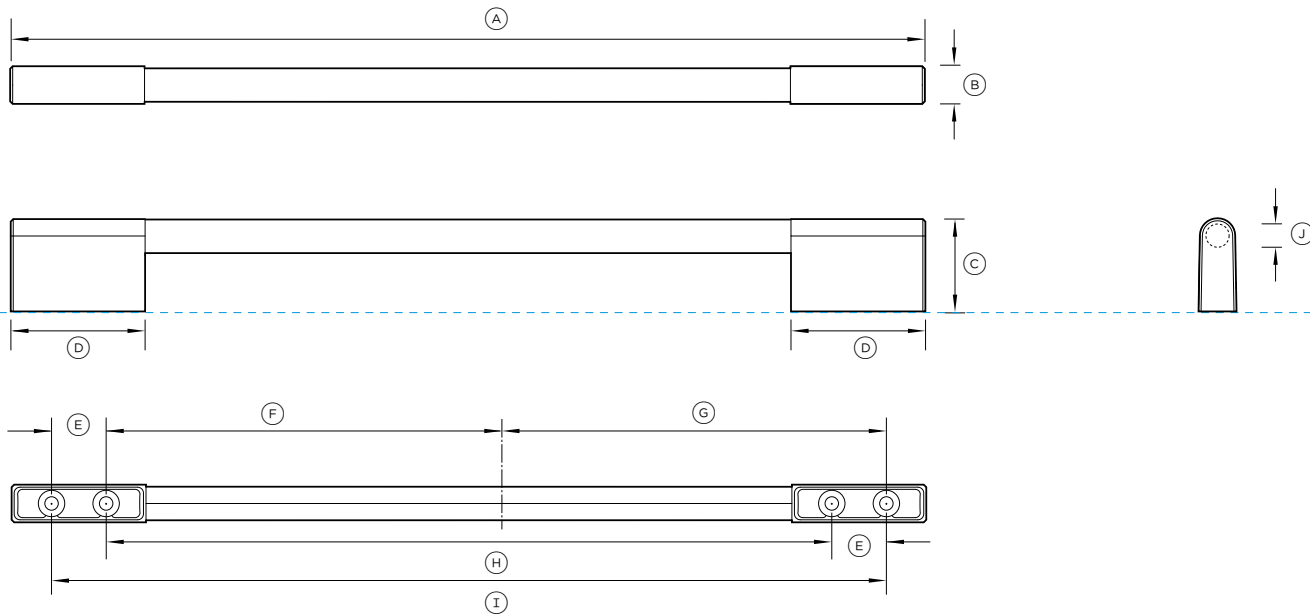
*Suits standard 19mm drawer panel. Thicker drawer panels may require counter boring or longer screws.

Note: Single Dishwasher requires one handle kit. Double Dishwasher requires two handle kits.



*M6 X 25mm Pan Head Socket Screw (2 per handle)

IMPORTANT NOTE: Throughout this guide, dimensions may vary by ±2mm (1/16"). Please read the Installation Guide for detailed information on installing the product. For full installation instructions visit fisherpaykel.com



*M6 X 25mm Pan Head Socket Screw (2 per handle)

Model no:
Classic Round Handle AHCL-DDDW-60X

For Models:
DD60DTX6I1, DD60DTX6HI1, DD60DI9, DD60DH9

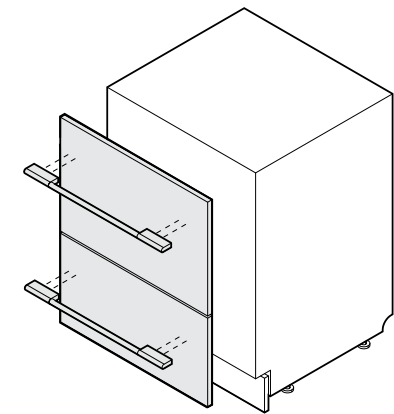
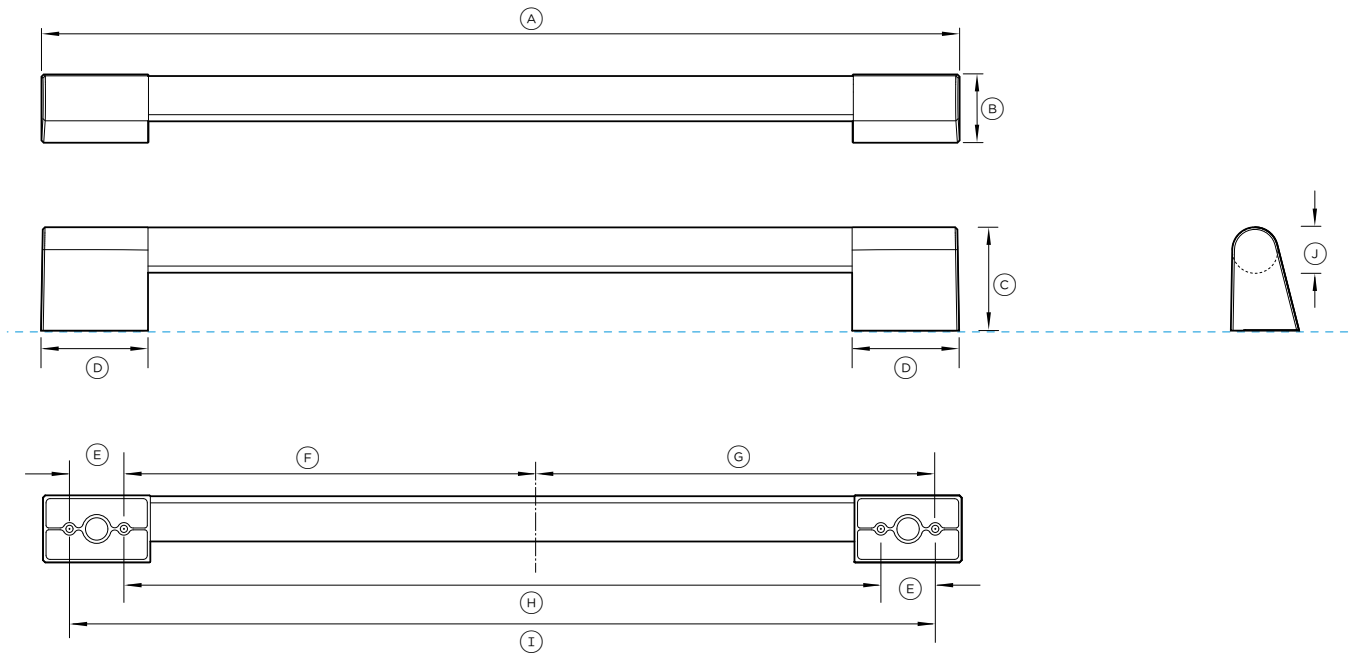
Compatible with drawer panel kits:
Classic Round Handle for Drawer Panel Kits ADDD60DPX, ADDD60TPX

Handle Dimensions	mm
A Overall length of handle	544
B Overall depth of handle	22
C Overall height of handle	55
D Length of off-stand	80
E Distance between attachment holes	32
F Distance from centreline to inner attachment holes	216
G Distance from centreline to outer attachment holes	248.5
H Distance between inner attachment holes	432
I Distance between outer attachment holes	497
J Diameter of handle rail	20

*Suits standard 19mm drawer panel. Thicker drawer panels may require counter boring or longer screws.

Note: Single Dishwasher requires one handle kit. Double Dishwasher requires two handle kits.

IMPORTANT NOTE: Throughout this guide, dimensions may vary by ±2mm (1/16"). Please read the Installation Guide for detailed information on installing the product. For full installation instructions visit fisherpaykel.com



*M6 X 25mm Pan Head Socket Screw (2 per handle)

Model no:
Professional Round Flush Handle AHP3-DWDD-60S

For Models:
DD60DTX6I1, DD60DTX6H1I, DD60DI9, DD60DH19

Compatible with drawer panel kits:
Professional Flush Handle for drawer Panel Kits ADDD60DPX, ADDD60DTPX
Custom Drawer Panels

Handle Dimensions	mm
Ⓐ Overall length of handle	515
Ⓑ Overall depth of handle	38
Ⓒ Overall height of handle	58
Ⓓ Length of off-stand	60
Ⓔ Distance between attachment holes	32
Ⓕ Distance from centreline to inner attachment holes	216
Ⓖ Distance from centreline to outer attachment holes	248.5
Ⓗ Distance between inner attachment holes	432
Ⓘ Distance between outer attachment holes	497
⓵ Diameter of handle rail	25

*Suits standard 19mm drawer panel. Thicker drawer panels may require counter boring or longer screws.

Note: Single Dishwasher requires one handle kit. Double Dishwasher requires two handle kits.

IMPORTANT NOTE: Throughout this guide, dimensions may vary by ±2mm (1/16"). Please read the Installation Guide for detailed information on installing the product. For full installation instructions visit fisherpaykel.com

