

# FISHER & PAYKEL

## WARMING DRAWER

---

WB60S models


INSTALLATION GUIDE

NZ AU GB IE

590513F 09.17

⚠ WARNING!	
	<p><b>Electrical Shock Hazard</b>            Before carrying out any work on the electrical section of the appliance, it must be disconnected from the mains electricity supply. Connection to a good earth wiring system is absolutely essential and mandatory. Alterations to the domestic wiring system must only be made by a qualified electrician. Failure to follow this advice may result in electrical shock or death.</p>

⚠ WARNING!	
	<p><b>Cut Hazard</b>            Take care - panel edges are sharp. Failure to use caution could result in injury or cuts.</p>

⚠ WARNING!	
	<p><b>Fire hazard</b>            Do not use adapters, reducers, or branching devices to connect this appliance to the mains power supply. Failure to follow this advice may result in overheating, burning, or fire.</p>

## IMPORTANT SAFETY INSTRUCTIONS!

- To reduce the risk of fire, electrical shock, injury to person, or damage when using the warming drawer, please read these instructions carefully before installing this product.
- Please make this information available to the person installing the product - doing so may reduce your installation costs.
- Installation work, maintenance and repairs may only be carried out by suitably qualified and competent persons in accordance with national and local safety regulations.
- Always disconnect the power supply prior to carrying out any installation, maintenance or repair work.
- Before installation make sure that the voltage and frequency listed on the data plate corresponds with the household electrical supply.

### IMPORTANT! SAVE THESE INSTRUCTIONS

The models shown in this installation guide may not be available in all markets and are subject to change at any time. For current details about model and specification availability in your country, please go to our website [www.fisherpaykel.com](http://www.fisherpaykel.com) or contact your local Fisher & Paykel dealer.

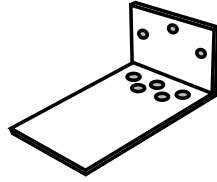
## **IMPORTANT SAFETY INSTRUCTIONS!**

- **The electrical outlet should be easily accessible after installation.**
- **When a companion product is installed in combination with the warming drawer to the same circuit, operating both products may cause an overload. If in doubt consult a qualified electrician.**
- **When installed in combination with a companion product the companion product may be placed directly onto the warming drawer. It is not necessary to place a shelf between the products. A built-in shelf at the base of the cabinetry able to support the weight of both products is required.**
- **If installing the warming drawer directly underneath an oven, ensure you do not damage the oven's lower trim. The lower trim ensures correct air circulation to the oven and allows the door to open and close without obstruction. Fisher & Paykel does not accept any responsibility for any damage resulting from incorrect installation.**
- **The maximum weight the warming drawer is able to support is 60 kg.**
- **The warming drawer is not designed for use in mobile installations such as recreational vehicles, boats or aircraft.**
- **When installing companion products the weight of the companion product should be distributed across the edges of the warming drawer. Products above which rest on "feet" may only be installed if the feet of the product lie within 70mm of the sides of the warming drawer, as this area is reinforced. Failure to do this may result in damage to the warming drawer and companion product.**
- **Before installing the warming drawer you must inspect it for any signs of damage. Under no circumstances should you install or use the warming drawer if it has been damaged.**
- **If the power supply cord is damaged, it must be replaced by the manufacturer, its service agent or a similarly qualified tradesperson in order to avoid a hazard.**
- **Connect the warming drawer to a properly rated, protected and sized power supply circuit to avoid electrical overload.**
- **Do not use an extension cord or a portable electrical outlet device (e.g. multi-socket outlet box) to connect the Warming Drawer to the power supply. Make sure the power supply cord is located so that it will not be stepped on, tripped over or otherwise subject to damage or stress.**
- **Ensure the connection to power supply is accessible after installation.**

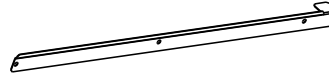
## ② PARTS SUPPLIED



Screws (4)



Anti-tip bracket (1)



Oven support brackets (2)

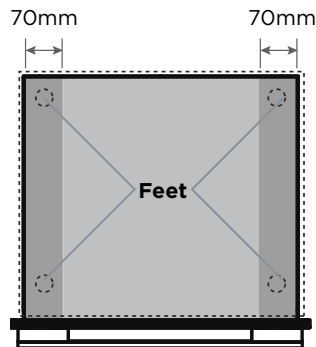
## ③ PRIOR TO INSTALLATION

- The cavity is square and level, and of the required dimensions.
- The installation will comply with all clearance requirements and applicable standards and regulations.
- The power switch will be easily accessible to the customer when the warming drawer is installed.
- The warming drawer (and any product on top of it) will rest on a surface that can support its weight.
- The height from the floor suits the customer.
- You consult local building authorities and by-laws if in doubt regarding installation.

### If installing with a companion product

#### **IMPORTANT!**

- If installing with a companion product please refer to the installation instructions of that product to ensure the installation requirements of BOTH products are met.
- When installing products on top of the warming drawer, the weight of the product should be distributed across the edges of the warming drawer.
- Products above which rest on “feet” may only be installed if the feet of the product lie within 70mm of the sides of the warming drawer, as this area is reinforced. Failure to do this may result in damage to the warming drawer and companion product.

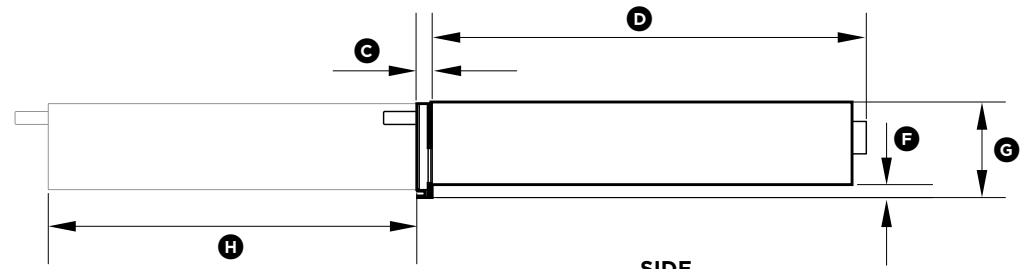


**Warming Drawer can withstand  
a maximum weight of 60kg**

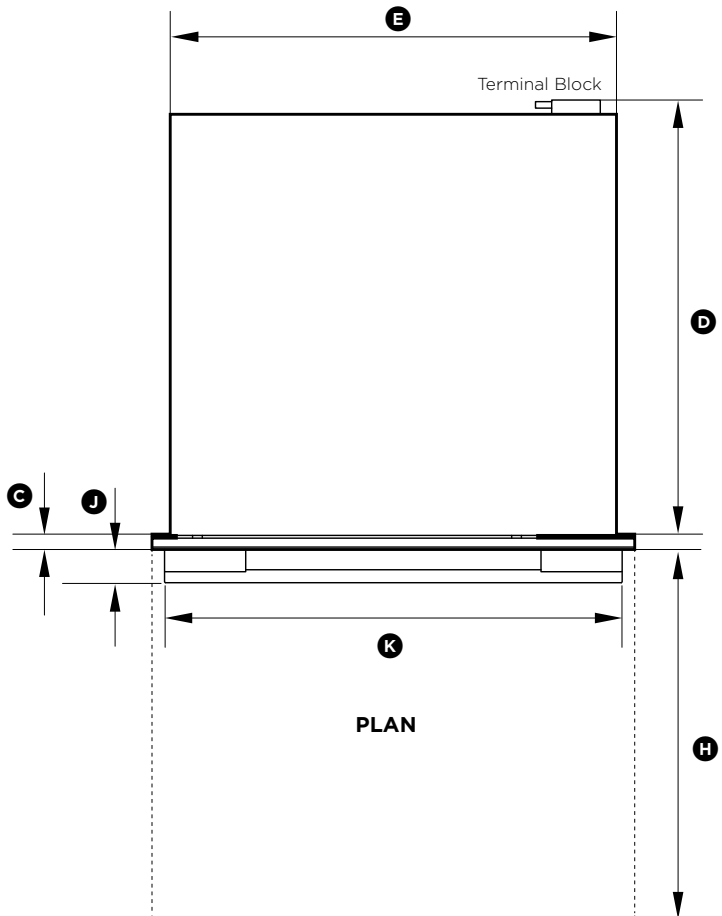
## ④ PRODUCT DIMENSIONS



FRONT



SIDE

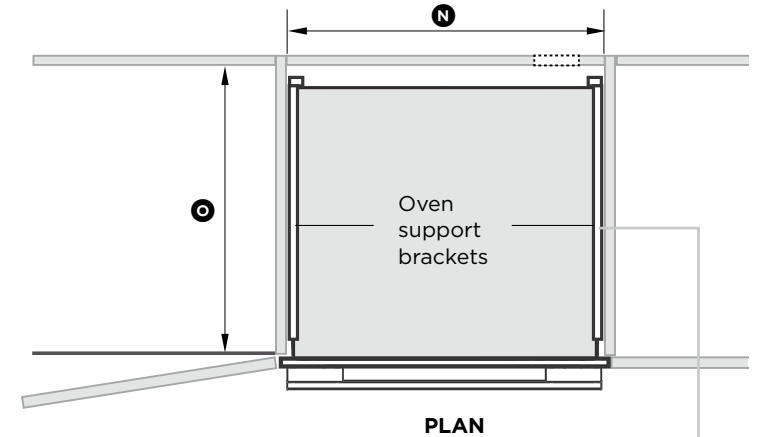
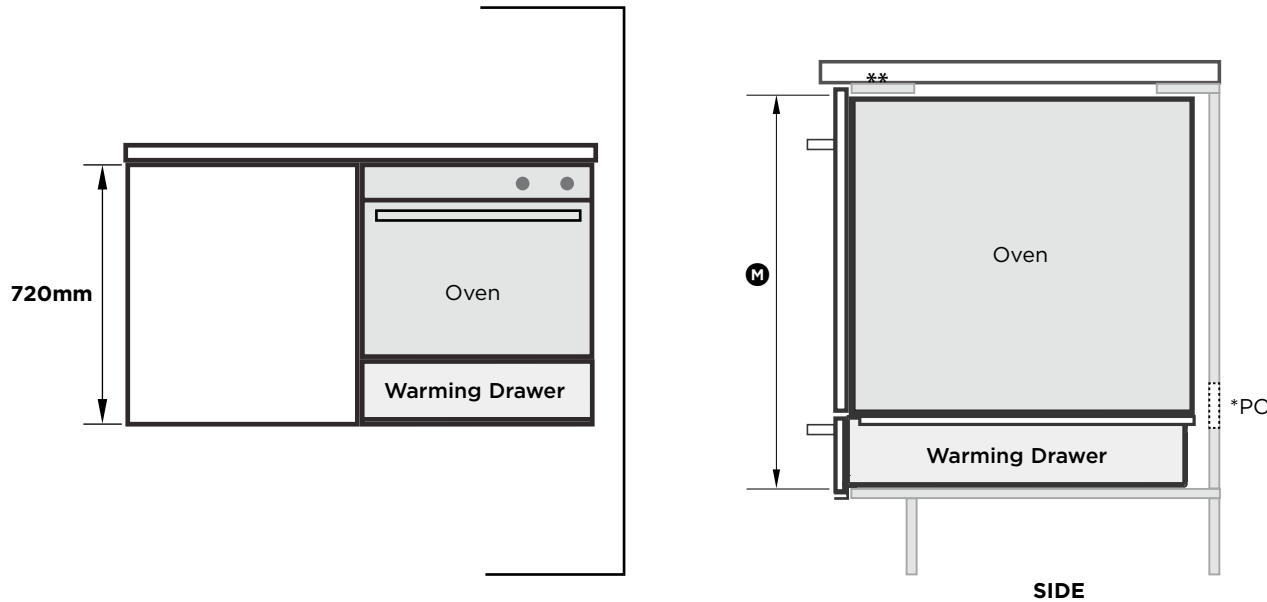


PLAN

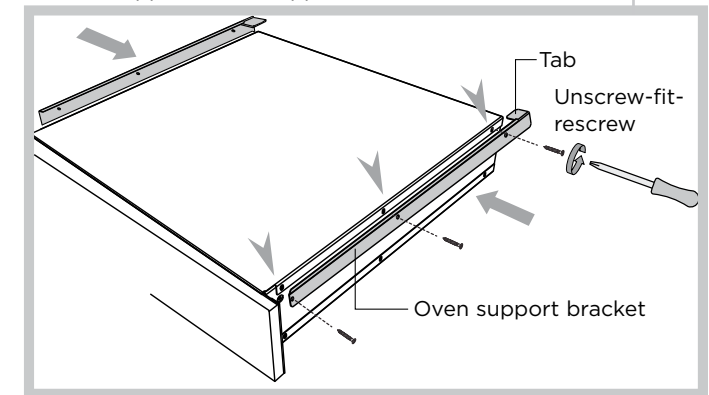
PRODUCT DIMENSIONS	WB60SDEB	WB60SDEX
	mm	mm
Ⓐ Overall height of product	118	118
Ⓑ Overall width of product	596	596
Ⓒ Depth of drawer front panel (excluding handle)*	20	22
Ⓓ Depth of chassis (including terminal block)	536	536
Ⓔ Width of chassis at rear	551	551
Ⓕ Height from bottom drawer panel to bottom of chassis at rear	16	16
Ⓖ Height from bottom of drawer panel to top of chassis	118	118
Ⓗ Depth of drawer (open) (measured from front of drawer)	455	455
Ⓘ Height of drawer front panel	116	116
Ⓙ Depth of handle measured from front of drawer	41	41
Ⓚ Width of handle	565	565

## THE FOLLOWING PAGES DETAIL COMMON CABINETY SCENARIOS

### 5 A CABINETY DIMENSIONS - UNDERBENCH (IE INSTALLED WITH A F&P 60CM WIDE SINGLE OVEN)



Fit the supplied oven support brackets



#### CABINETY DIMENSIONS

	mm
Ⓜ Minimum inside height of cavity (with F&P 60cm wide single oven)	687
Ⓝ Inside width of cavity	560
Ⓞ Minimum inside depth of cavity	565

Note: When installed in combination with a companion product the companion product may be placed directly onto the warming drawer. It is not necessary to place a shelf between the products. A built-in shelf at the base of the cabinetry able to support the weight of both products is required.

\* PO - POWER OUTLET. Ensure there is an accessible earthed power outlet within 900mm of the centre rear of the product.

\*\* In some instances the front cabinetry rail may need to be removed to enable installation.

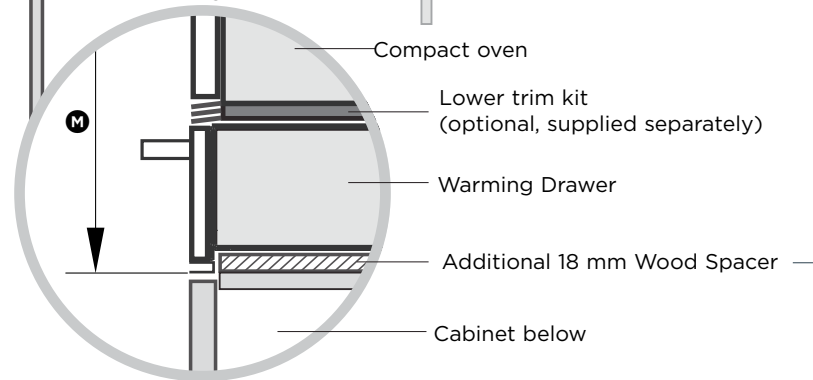
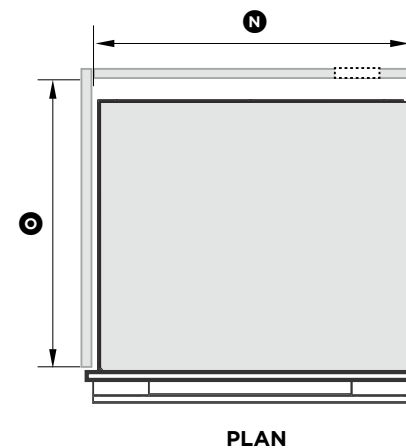
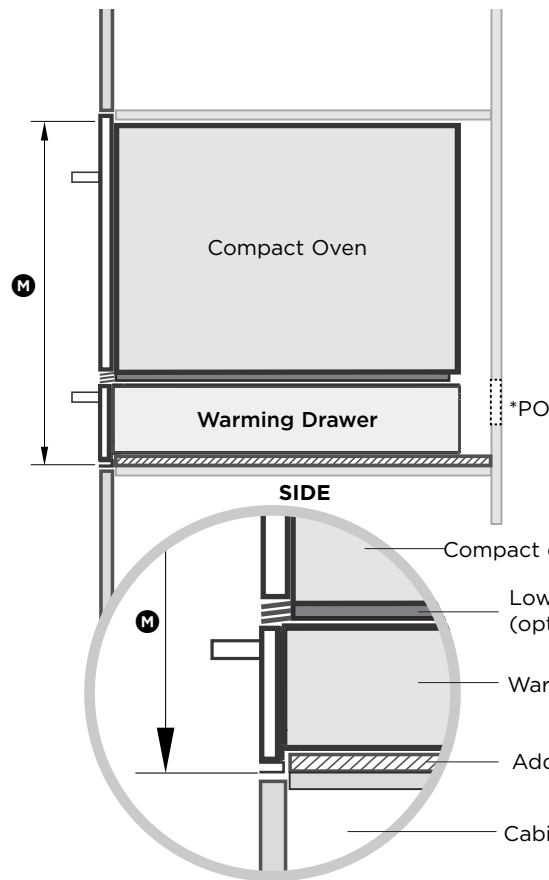
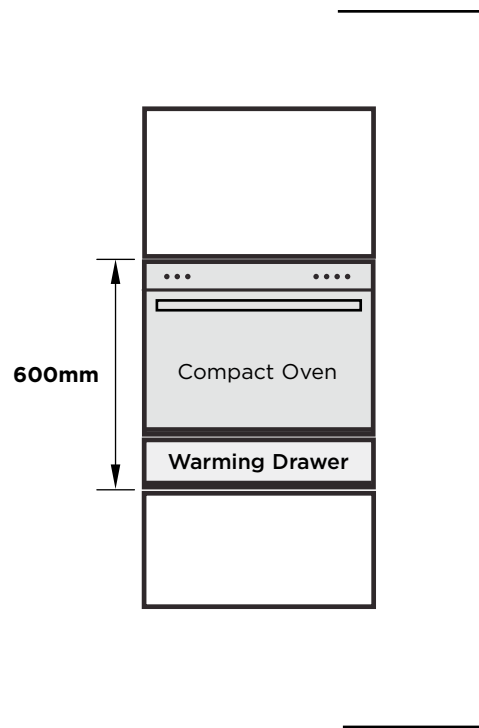
#### IMPORTANT!

**If installing under an oven, you must first fit the two supplied Oven support brackets to the sides of the Warming Drawer. The brackets help support the rear of the oven.**

**Unscrew the 3 top screws on each side, fit the brackets with the tabs facing inwards as shown and screw back in.**

**Note: The screws may not be identical. Replace each screw into its original hole position.**

5 B CABINERY DIMENSIONS - WALL MOUNTED (IE INSTALLED WITH A F&P COMPACT OVEN)



**IMPORTANT!**  
In a wall mounted installation, there needs to be an 18 mm Spacer fixed underneath the warming drawer first to raise it to the required height.

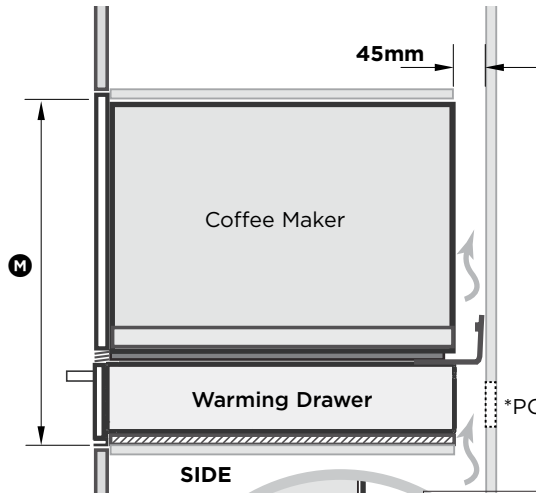
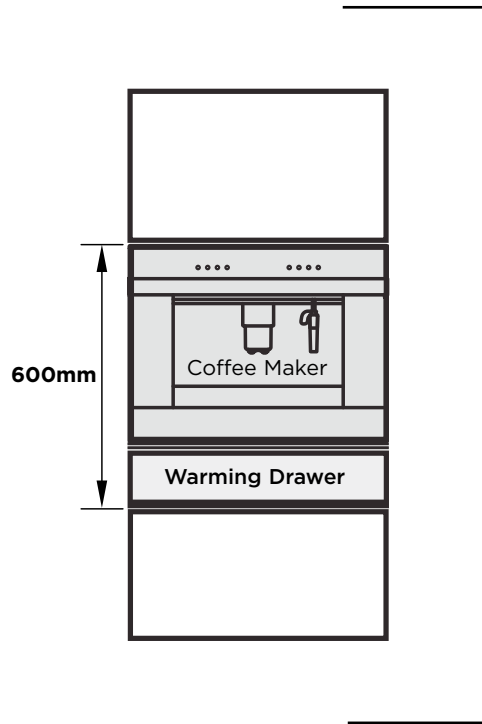
CABINERY DIMENSIONS		mm
M	Minimum inside height of cavity with optional Lower trim kit fitted	590
	without optional Lower trim kit fitted	570
N	Inside width of cavity	560
O	Minimum inside depth of cavity	565

Note: When installed in combination with a companion product the companion product may be placed directly onto the warming drawer. It is not necessary to place a shelf between the products. A built-in shelf at the base of the cabinetry able to support the weight of both products is required.

\* PO - POWER OUTLET. Ensure there is an accessible earthed power outlet within 900mm of the centre rear of the product.

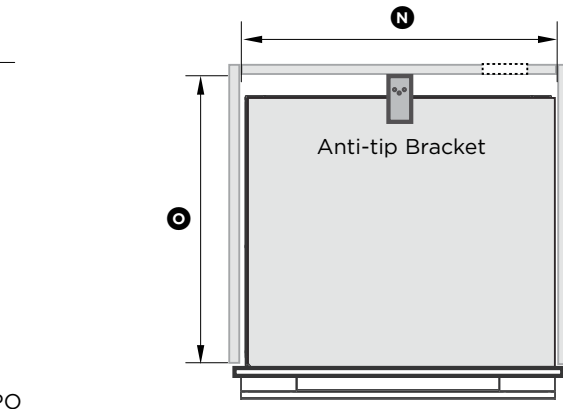
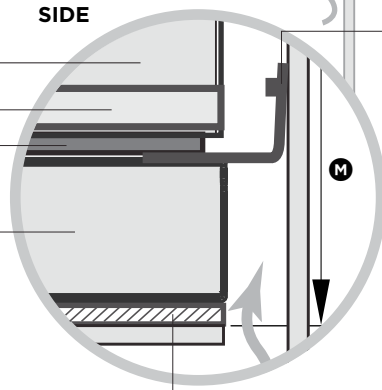
**IMPORTANT!**

If installing under the F&P Coffee Maker, ensure there is the 45mm gap at the back of the cabinet and the 200mm<sup>2</sup> toekick cutout required for airflow. Refer to the Coffee Maker Install instructions.

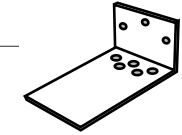


**SIDE**

- Coffee Maker
- Side rail
- Lower trim kit (optional, supplied separately)
- Warming Drawer



**PLAN**



Supplied Anti-tip Bracket (screwed to the back wall)

**IMPORTANT!**

When installing under an F&P Coffee Maker you must ensure the supplied anti-tip bracket is installed, unless there is a fixed shelf above the drawer acting as an anti-tip obstacle.

Additional 18mm Wood Spacer

**IMPORTANT!**

In a wall mounted installation, there needs to be an 18mm Spacer fixed underneath the warming drawer first to raise it to the required height.

**CABINETY DIMENSIONS**

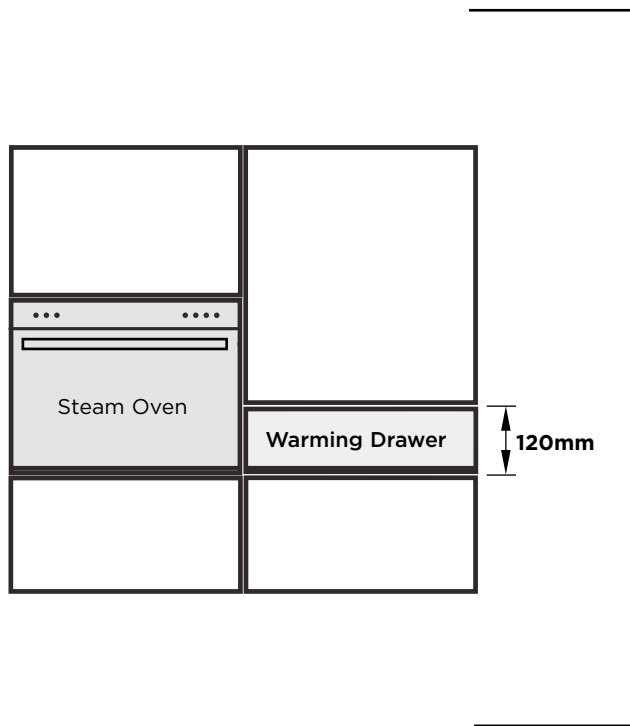
	<b>mm</b>
Ⓜ Minimum inside height of cavity with optional Lower trim kit fitted	590
without optional Lower trim kit fitted	570
Ⓝ Inside width of cavity	560
Ⓞ Minimum inside depth of cavity	565

Note: When installed in combination with a companion product the companion product may be placed directly onto the warming drawer. It is not necessary to place a shelf between the products. A built-in shelf at the base of the cabinetry able to support the weight of both products is required.

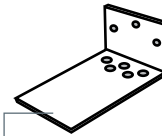
\* PO - POWER OUTLET. Ensure there is an accessible earthed power outlet within 900mm of the centre rear of the product.



5 D CABINERY DIMENSIONS - WALL MOUNTED (STANDALONE)

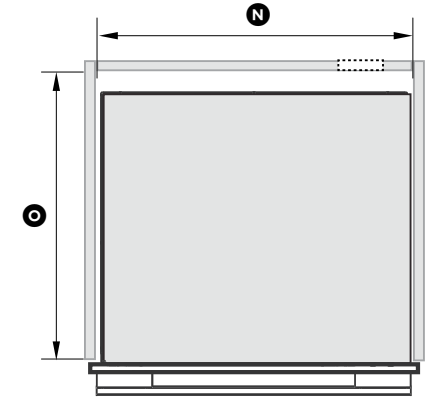
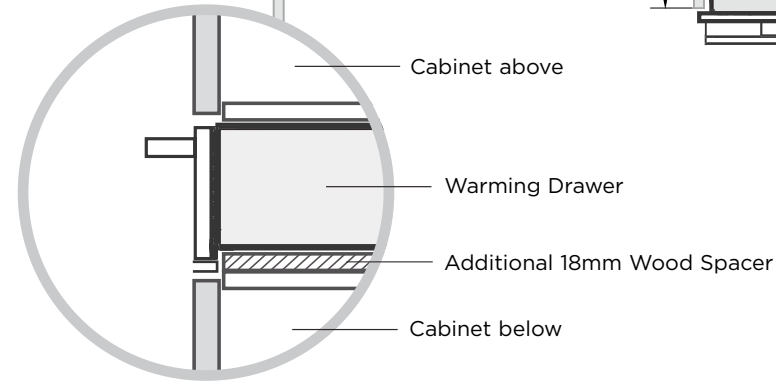
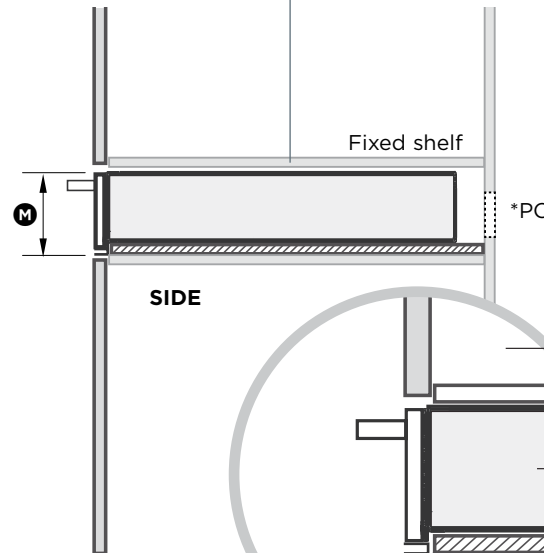


Supplied Anti-tip Bracket  
(screwed to the back wall)



**IMPORTANT!**

In a standalone wall mounted installation, you must ensure that the supplied anti-tip bracket is installed unless there is a fixed shelf above acting as an anti-tip obstacle.



PLAN

**IMPORTANT!**

In a wall mounted installation, there needs to be an 18mm Spacer fixed underneath the warming drawer first to raise it to the required height.

CABINERY DIMENSIONS		mm
Ⓜ	Inside height of cavity	120
Ⓝ	Inside width of cavity	560
Ⓞ	Minimum inside depth of cavity	545

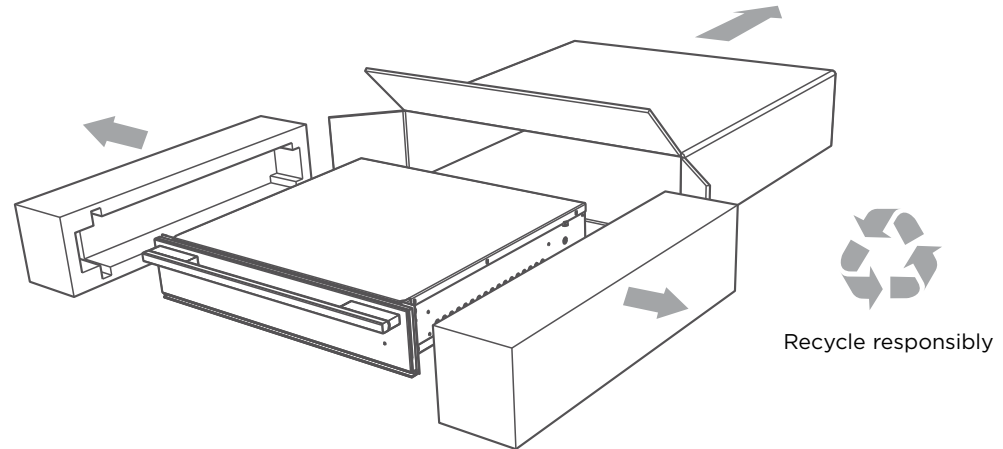
\* PO - POWER OUTLET. Ensure there is an accessible earthed power outlet within 900mm of the centre rear of the product.

## ⑥ DISCARD PACKAGING RESPONSIBLY

Unpack the warming drawer and inspect for any signs of damage. Do not install the warming drawer if it has been damaged.

### IMPORTANT!

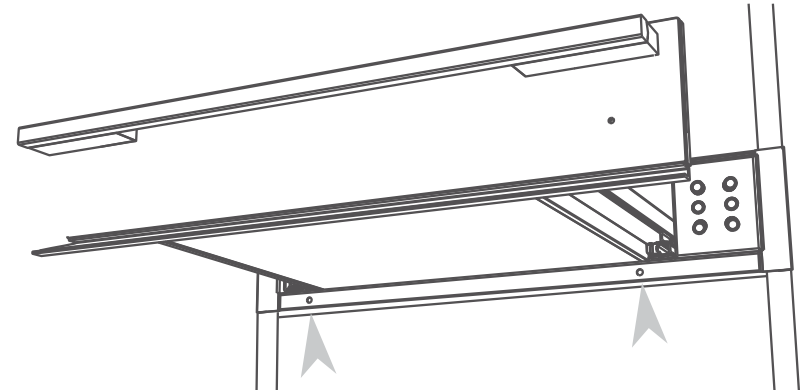
Packing materials (e.g. plastic bags, polystyrene foam, staples, packing straps etc) and tools should not be left around during and after installation, especially if they are within easy reach of children, as they may cause serious injuries.



## ⑦ MARK AND PRE-DRILL THE HOLES FOR SECURING THE WARMING DRAWER

### IMPORTANT!

Do not lift the warming drawer by the drawer handle.



## ⑧ CONNECT THE WARMING DRAWER TO THE MAINS SUPPLY

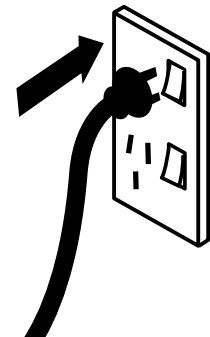
### IMPORTANT!

- All electrical work may only be carried out by suitably qualified and competent persons in accordance with national and local safety regulations.
- This warming drawer must be earthed.

Before placing the warming drawer into the cavity, route the power cord into the back of the cavity and plug it in to the switched socket. The switched socket should be in an easily accessible area within 900mm of the centre rear of the product.

### Power requirements

Model Code	Power	Voltage	Wattage
WB60S	1.6 - 1.8 A	220-240 V	360-420W



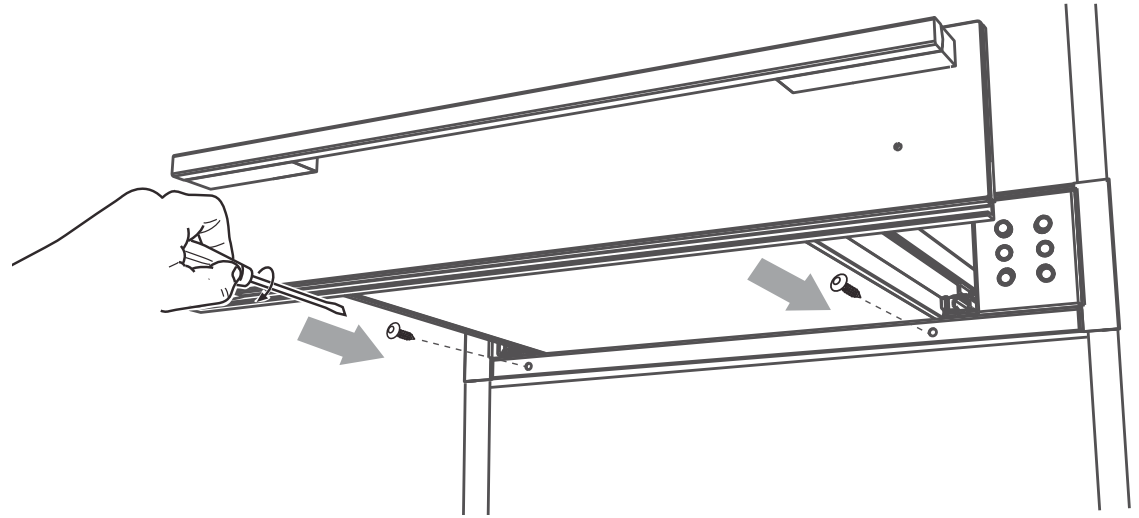
## ⑨ SECURE THE WARMING DRAWER TO THE CABINETY

- ① Ensure the warming drawer is level and positioned in place in the cavity.

### **IMPORTANT!**

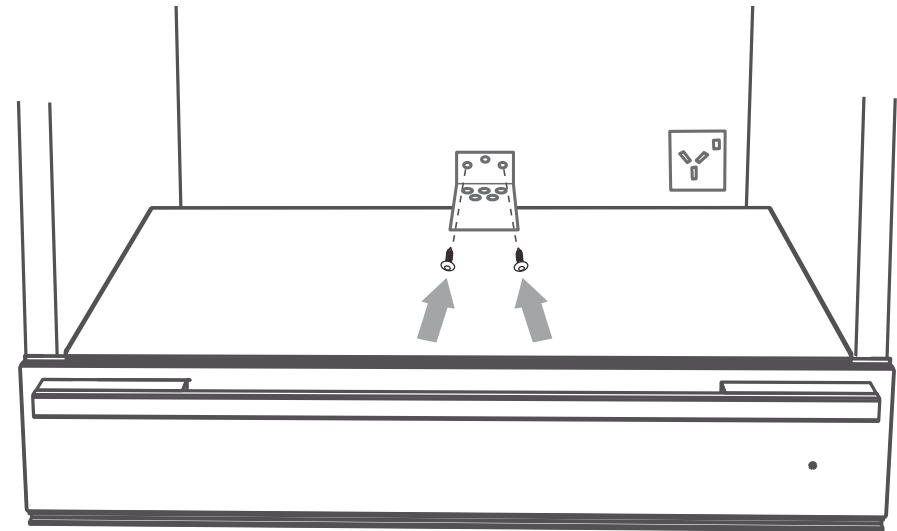
**Do not lift the warming drawer by the drawer handle.**

- ② Fully open the drawer.  
③ Fasten the warming drawer in place with the two screws supplied, through the front trim, beneath the drawer. Do not overtighten the screws.



## ⑩ SECURE THE ANTI-TIP BRACKET (OPTIONAL DEPENDING ON CABINETY CONFIGURATION)

If the anti-tip bracket is required (see example scenarios) first secure the product at the front, then place the bracket centrally at the back of the cavity, sitting it on the top of the chassis. Secure it to the rear cabinet wall using the screws provided.



✓ **TO BE COMPLETED BY THE INSTALLER**

- Make sure the warming drawer is level and securely fitted to the cabinetry.
- Make sure any internal packaging has been removed from the drawer.
- Make sure that the isolating switch is accessible by the customer.
- Make sure the anti-tip bracket has been fitted correctly if it is required.
- If installing an oven directly on top of the warming drawer, make sure the supplied oven support brackets have been fitted to the warming drawer.

TEST OPERATION:

- Open the drawer and press the ⓘ button to turn the warming drawer on. The on/off halo and temperature setting 2 ( II ) halo should glow red.

Shut the drawer.

After 5-10 minutes open the drawer. The internal surfaces of the drawer should feel slightly warmed.

Press the ⓘ button to turn the warming drawer off and shut the drawer.

---

Complete and keep for safe reference:

Model \_\_\_\_\_

Serial No. \_\_\_\_\_

Purchase Date \_\_\_\_\_

Purchaser \_\_\_\_\_

Dealer Address \_\_\_\_\_

Installer's Name \_\_\_\_\_

Installer's Signature \_\_\_\_\_

Installation Company \_\_\_\_\_

Installation Date \_\_\_\_\_







**FISHERPAYKEL.COM**

© Fisher & Paykel Appliances 2017. All rights reserved.

The product specifications in this booklet apply to the specific products and models described at the date of issue. Under our policy of continuous product improvement, these specifications may change at any time. You should therefore check with your Dealer to ensure this booklet correctly describes the product currently available.

**NZ AU GB IE**

**590513F 09.17**