

# Integrated Single DishDrawer™ Dishwasher, Sanitize

Series 9 | integrated

Panel Ready

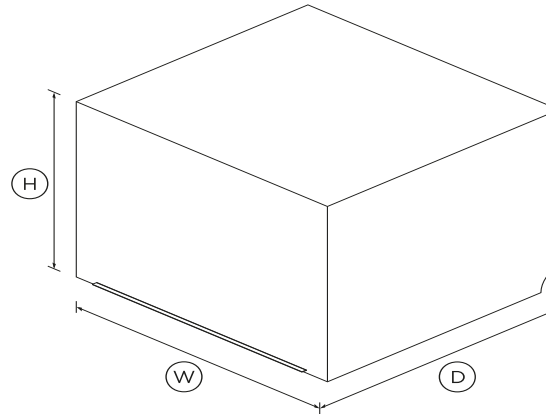


A compact size to fit anywhere, room to wash a half load, and less bending.

- Knock to pause function is perfect if you miss a dish
- Six wash programs, as well as additional Quick wash, Sanitize and Extra Dry options
- Customize with your own kitchen cabinetry or purchase our stainless steel door panel accessory
- American Disabilities Act (ADA) compliant, this can be installed at an accessible height for loading and unloading

## DIMENSIONS

Height	16 1/8"
Width	23 9/16"
Depth	22 1/2"



## FEATURES & BENEFITS

### Seamless integration

Slide your DishDrawer™ Dishwasher into an existing kitchen space or integrate into kitchen cabinetry, for a seamless look whilst delivering superior dish care.

### Ease of use

DishDrawer™ Dishwashers are as easy to open and close as kitchen drawers and can be conveniently positioned at bench height for ease of loading and minimal bending. Flexible racking allows you to make adjustments to fit in a variety of dishes.

### Quick, Sanitise and Extra Dry options

The Quick wash modifier delivers a faster wash while maintaining performance. The Sanitise option provides extra protection killing 99.9% of bacteria in the final rinse. The Extra Dry setting is perfect for plastic dishes.

### Knock to pause

Instead of needing a remote control, these DishDrawer™ Dishwashers have a knock to pause function. A knock on the front panel will pause the dishwasher which can be re-started again by using the start/play button.

### Quiet performer

Running at a very low decibel rate, these DishDrawer™ Dishwashers do their job without making a fuss. The combination of intelligent technology and simple mechanics means greater reliability and excellent wash performance.

## SPECIFICATIONS

### Accessories

Contemporary round handle kit	Part number 81671
Cutlery basket	•
Optional handle	513545 D3 front mount fitting
Optional stainless steel door kit	81262 Door DD24S

### Capacity and Loading

Accommodates round plates	11"
Adjustable height, foldable	•
Fold down tines	•
Pitch adjustable tines	•
Place settings	7

### Consumption

Energy star rating	•
--------------------	---

Energy usage **144kWh/year**

Water usage **1.64 gal/cycle**

**Controls**

- Child lock •
- Electronic fault/Diagnostic •
- End of cycle beeps •
- Energy saving delay start •
- Internal wash selector •
- Knock to pause •
- Rinse aid indicator light •

**Features**

- Fan assisted drying •
- Flow through detergent •
- Quiet operation •
- SmartDrive™ technology •

**Performance**

Noise on gentle cycle top **44dBA**

**Power requirements**

Amperage **5A**  
 Electric circuit **3**  
 Rated current **15A**  
 Supply frequency **60Hz**  
 Supply voltage **120V**

**Product dimensions**

Depth **22 1/2 "**  
 Height **16 1/8 "**

Width **23 9/16 "**

**Warranty**

Parts and labor **Limited 2 Year Parts & Labor**

**Wash Programs**

- Delicate •
- Eco •
- Extra Dry •
- Fast •
- Heavy •
- Medium •
- Number of wash programs **15**
- Quick •
- Rinse •
- Sanitize •
- Wash modifiers **3**

**Water connection**

Inlet water temperature **Max 140°F**  
 Supplied hose to suit 3/8" •  
 Water pressure **0.03 Mpa - 1 Mpa (4.3-145 psi)**

SKU **81221**

The product dimensions and specifications in this page apply to the specific product and model. Under our policy of continuous improvement, these dimensions and specifications may change at any time. You should therefore check with Fisher & Paykel's Customer Care Centre to ensure this page correctly describes the model currently available. Â© Fisher & Paykel Appliances Ltd 2019.

---

**Other product downloads available at fisherpaykel.com**



Quick Start Guide



User Guide



Service & Warranty Booklet



Guide De Démarrage Rapide



Guide D'Utilisation



Installation Guide



Guide D'Installation



Resources (zip)



**A PEACE OF MIND SALE**

**24 Hours 7 Days a Week Customer Support**

**T 1300 650 590 W www.fisherpaykel.com**