

# Integrated Dishwasher, Sanitise

Series 5 | Integrated

Panel Ready

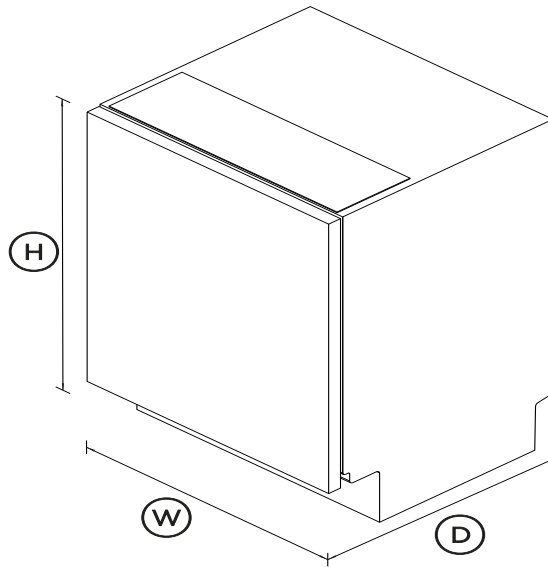


Designed to be integrated seamlessly into your cabinetry, this dishwasher delivers extra wash options and Auto Door Open Dry.\*

- Customise with your own front panel and handle to match your kitchen cabinetry
- Seven wash programs from Heavy to Light, including Auto and 60min
- Dry+, Sanitise and Half Load modifiers provide extra wash options
- Wi-Fi enabled and works with the SmarthQ™ app for remote control and notifications

## DIMENSIONS

Height	820 - 880mm
Width	598mm
Depth	554mm



## FEATURES & BENEFITS

### SEAMLESS INTEGRATION

Customise your dishwasher with a panel and handle matching your cabinetry, for a seamless finish in your kitchen.

### Effortless Drying

For beautifully dry dishes every time, this dishwasher features an advanced drying system. It combines fan-assisted drying with an automatic door opening at the cycle's end. The Auto Door Open Dry feature releases excess steam, ensuring dishes are

immediately ready for use or storage. An innovative air curtain channels the steam away from the adjacent benchtop, protecting your cabinetry.

### A RELIABLE CLEAN

This dishwasher offers seven wash programs including Auto, which automatically senses the optimal wash settings for your dishes. The three-stage filtration system delivers a superior clean, while the rinse aid indicator reminds you to top up for beautifully clean dishes.

### Customise Your Wash

The Half Load modifier is perfect for washing a partial load, for faster turnaround of dishes. Sanitise provides extra protection, killing 99.9% of bacteria\* in the final rinse, while the Dry+ modifier is great for plastic dishes. \*Certified to NSF/ANSI Standard 184

### Efficient Performance

With a 4 star energy rating and 5 star water rating, this dishwasher delivers a powerful wash. Use the Eco wash program for optimal water and energy consumption, or choose when the cycle begins with Delay Start.

### FLEXIBLE LOADING

Designed to fit 15 place settings with ease, adjustable racks help you to load and care for various items – including a height-adjustable upper basket, and foldable cup holders and tines.

## SPECIFICATIONS

### Accessories

- Cutlery basket •
- Kickstrip •

### Accessories (sold separately)

Door panel black stainless steel	ADDW60PB
Door panel stainless steel	ADDW60PX

Handle kit Classic	AHCL-DDDW-24X
Handle kit Contemporary	AHS-OBDD-60S
Handle kit Contemporary	AHD5-OBDD-60SX
Handle kit Contemporary	AHD5-OBDD-60SB
Handle kit Contemporary	AHD3-OBDD-60S
Handle kit Contemporary	AHD3-OBDD-60B
Handle kit Professional round	AHP3-DWDD-60S

**Capacity and loading**

Accommodates round plates	320mm
Accommodates round plates	250mm
Adjustable height, foldable	•
Easy lift adjustable upper	•
Fold down tines	•
Place settings	15

**Consumption**

Energy rating	4 star
Energy usage	246kWh/year
In-use energy carbon	160.2kgCO2e/year
Water consumption (per wash	12.2L
Water efficiency	5 star (WELS)

**Controls**

Energy saving delay start	•
Intuitive capacitive touch	•
Keylock	•
Rinse aid indicator light	•
Wi-Fi connectivity	•

**Features**

Air curtain for bench	•
Aquastop	•
Auto Door Open Dry	•
Flood protection	•
Fully independent spray arms	•
Internal tub material	Stainless Steel
Motor type	Asynchronous
ThermoDry system	•
Three-stage filtration system	•

**Performance**

Noise emissions	46dBA
-----------------	-------

**Power requirements**

Amperage	10A
Supply frequency	50Hz
Supply voltage	220 - 240V

**Product dimensions**

Depth	554mm
Height	820 - 880mm
Width	598mm

**Warranty**

Parts and labour	2 years
------------------	---------

**Wash Program Modifiers**

Dry +	•
Half-load	•

Sanitise	•
Wash modifiers	3

**Wash Programs**

60 min	•
Auto	•
Eco	•
Heavy	•
Light	•
Medium	•
Rinse	•
Wash programs	7

**Water connection**

Water pressure	30kPa - 1000 kPa
Water supply	3/4" BSP (20mm) Connector

SKU	82431
-----	-------

The product dimensions and specifications in this page apply to the specific product and model. Under our policy of continuous improvement, these dimensions and specifications may change at any time. You should therefore check with Fisher & Paykel's Customer Care Centre to ensure this page correctly describes the model currently available. ? Fisher & Paykel Appliances Ltd 2020

---

Other product downloads available at [fisherpaykel.com](https://fisherpaykel.com)



Service & Warranty



User Guide Dishwasher



Wash Program Data Dishwasher



Energy & Water Label



Installation Guide Built-Under Dishwasher



Door Template



**A PEACE OF MIND SALE**

24 Hours 7 Days a Week Customer Support

T 1300 650 590 [Wwww.fisherpaykel.com](https://www.fisherpaykel.com)